



Chipsmall Limited consists of a professional team with an average of over 10 year of expertise in the distribution of electronic components. Based in Hongkong, we have already established firm and mutual-benefit business relationships with customers from,Europe,America and south Asia,supplying obsolete and hard-to-find components to meet their specific needs.

With the principle of “Quality Parts,Customers Priority,Honest Operation,and Considerate Service”,our business mainly focus on the distribution of electronic components. Line cards we deal with include Microchip,ALPS,ROHM,Xilinx,Pulse,ON,Everlight and Freescale. Main products comprise IC,Modules,Potentiometer,IC Socket,Relay,Connector.Our parts cover such applications as commercial,industrial, and automotives areas.

We are looking forward to setting up business relationship with you and hope to provide you with the best service and solution. Let us make a better world for our industry!



Contact us

Tel: +86-755-8981 8866 Fax: +86-755-8427 6832

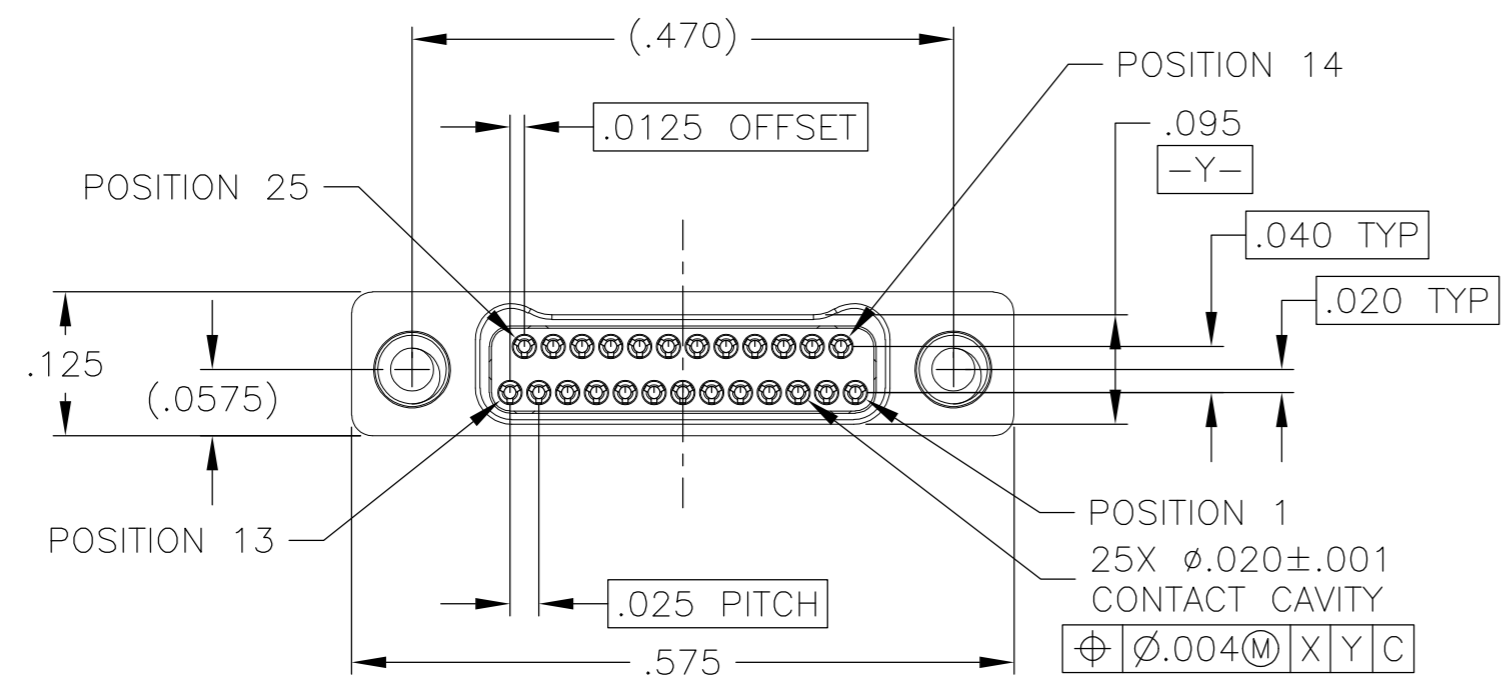
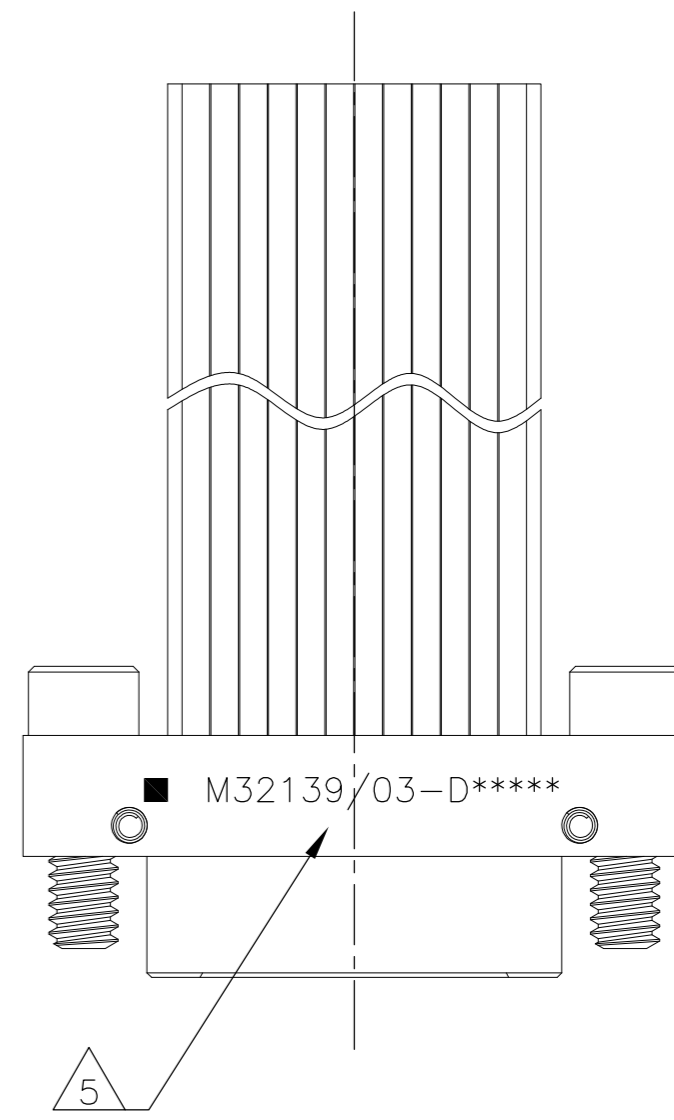
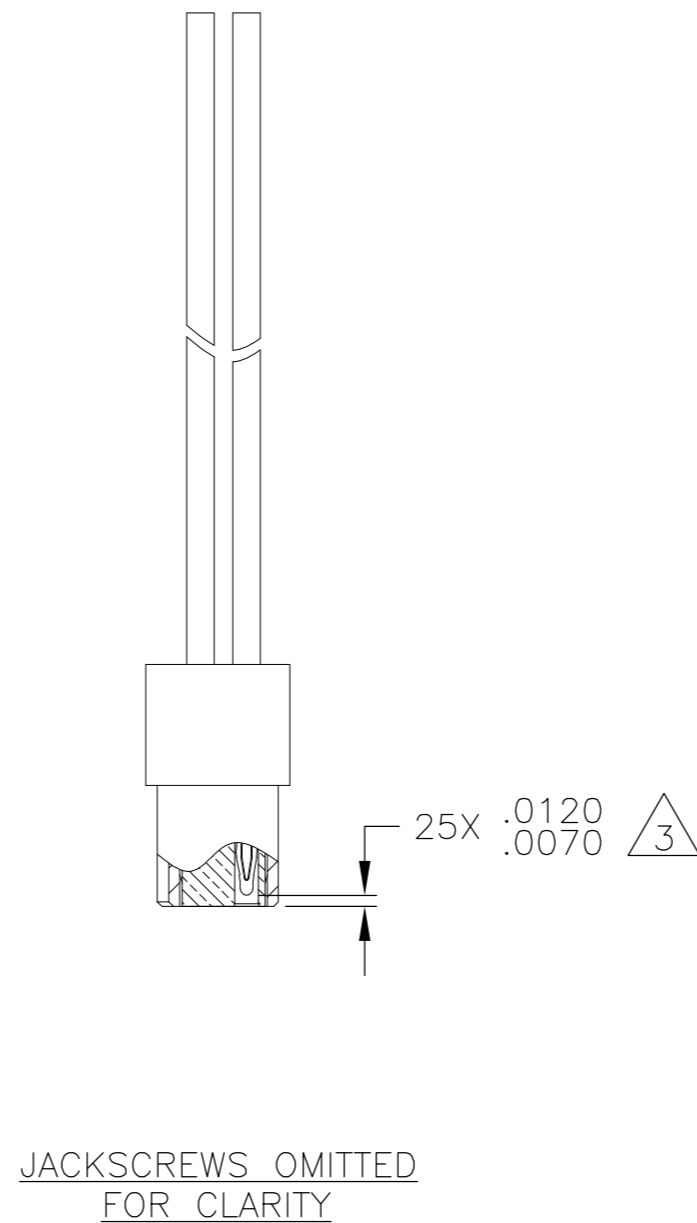
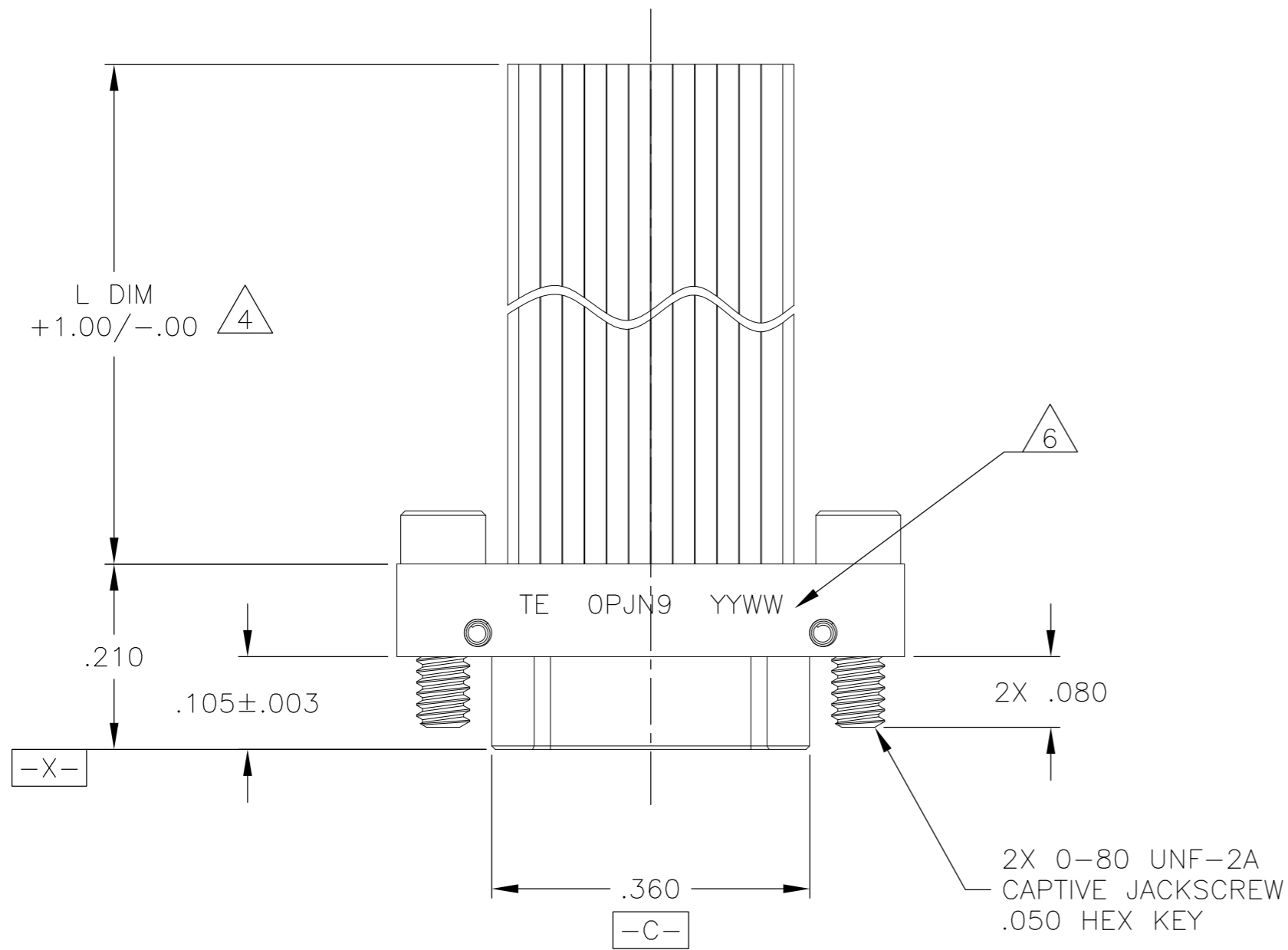
Email & Skype: info@chipsmall.com Web: www.chipsmall.com

Address: A1208, Overseas Decoration Building, #122 Zhenhua RD., Futian, Shenzhen, China



THIS DRAWING IS UNPUBLISHED. RELEASED FOR PUBLICATION
 © COPYRIGHT - By - ALL RIGHTS RESERVED.

LOC		DIST		REVISIONS			
P	LTR	DESCRIPTION		DATE	DWN	APVD	
B		REV PER ECO 15-007382		5-18-15	CT	RL	



1 ALL DIMENSIONS, MATERIALS, AND FINISHES ARE IN ACCORDANCE WITH MIL-DTL-32139 AND MIL-DTL-32139/3
 2 SEE SHEET 2 FOR MIL-DTL-32139 PIN (PART IDENTIFYING NUMBER) AND CORRESPONDING TE PART NUMBERS

- (3) INSULATOR SHALL BE FLUSH WITH THE SHELL TO WITHIN ±.004
- (4) WIRE TYPE DEFINED BY MIL-DTL-32139/3
- (5) CONNECTOR SHALL BE MARKED IN ACCORDANCE WITH METHOD I OF MIL-STD-1285. MARKING SHALL CONTAIN THE MILITARY PIN AND POSITION 1 INDICATED BY AN IDENTIFIABLE MARK, LOCATED APPROXIMATELY AS SHOWN ON THE POSITION 1 SIDE OF THE CONNECTOR FLANGE. TEXT HEIGHT SHALL BE .035 INCH MINIMUM.
- (6) CONNECTOR SHALL BE MARKED IN ACCORDANCE WITH METHOD I OF MIL-STD-1285. MARKING SHALL CONTAIN TE, CAGE CODE AND DATE CODE. EXAMPLE: TE OPJN9 YYWW (WHERE YYWW IS THE DATE CODE). TEXT HEIGHT SHALL BE .035 INCH MINIMUM.

THIS DRAWING IS A CONTROLLED DOCUMENT.		DWN	16 AUG 10	TE TE Connectivity	
DIMENSIONS: INCHES		CHK	16 AUG 10		
TOLERANCES UNLESS OTHERWISE SPECIFIED:		M STORRY		NAME	
0 PLC ± -		APVD -		PRODUCT SPEC	
1 PLC ± -		PRODUCT SPEC		APPLICATION SPEC	
2 PLC ± -		APPLICATION SPEC		SIZE	
3 PLC ± .005		WEIGHT		CAGE CODE	
4 PLC ± -		CUSTOMER DRAWING		DRAWING NO	
ANGLES ± 2°		SCALE 6:1		RESTRICTED TO	
MATERIAL SEE NOTES		SHEET 1 of 2		REV B	
FINISH SEE NOTES		A2 OPJN9 C=1925217		PLUG ASSEMBLY, TWO ROW, FLYING LEADS, PER MIL-DTL-32139/3, SIZE 25	

THIS DRAWING IS UNPUBLISHED. RELEASED FOR PUBLICATION
 © COPYRIGHT - By - ALL RIGHTS RESERVED.

LOC		DIST		REVISIONS			
P	LTR	DESCRIPTION	DATE	DWN	APVD		
-	-	SEE SHEET 1	-	-	-		

PART NUMBER CROSS REFERENCE			
TE P/N	L DIM	MIL SPEC PIN	NANONICS P/N
1925217-1	6	M32139/03-D01SNS	TMN2N025PC2DX006S
1925217-2	6	M32139/03-D01SSS	TMN2S025PC2DX006S
1925217-3	18	M32139/03-D02SNS	TMN2N025PC2DX018S
1925217-4	18	M32139/03-D02SSS	TMN2S025PC2DX018S
1925217-5	36	M32139/03-D03SNS	TMN2N025PC2DX036S
1925217-6	36	M32139/03-D03SSS	TMN2S025PC2DX036S
1925217-7	6	M32139/03-D04SNS	TMN2N025PC2DM006S
1925217-8	6	M32139/03-D04SSS	TMN2S025PC2DM006S
1925217-9	18	M32139/03-D05SNS	TMN2N025PC2DM018S
1-1925217-0	18	M32139/03-D05SSS	TMN2S025PC2DM018S
1-1925217-1	36	M32139/03-D06SNS	TMN2N025PC2DM036S
1-1925217-2	36	M32139/03-D06SSS	TMN2S025PC2DM036S
1-1925217-3	6	M32139/03-D07SNS	TMN2N025PC2DT006S
1-1925217-4	6	M32139/03-D07SSS	TMN2S025PC2DT006S
1-1925217-5	18	M32139/03-D08SNS	TMN2N025PC2DT018S
1-1925217-6	18	M32139/03-D08SSS	TMN2S025PC2DT018S
1-1925217-7	36	M32139/03-D09SNS	TMN2N025PC2DT036S
1-1925217-8	36	M32139/03-D09SSS	TMN2S025PC2DT036S
1-1925217-9	6	M32139/03-D10SNS	TMN2N025PC2TM006S
2-1925217-0	6	M32139/03-D10SSS	TMN2S025PC2TM006S
2-1925217-1	18	M32139/03-D11SNS	TMN2N025PC2TM018S
2-1925217-2	18	M32139/03-D11SSS	TMN2S025PC2TM018S
2-1925217-3	36	M32139/03-D12SNS	TMN2N025PC2TM036S
2-1925217-4	36	M32139/03-D12SSS	TMN2S025PC2TM036S

2-1925217-5	6	M32139/03-D13SNS	TMN2N025PC2CX006S
2-1925217-6	6	M32139/03-D13SSS	TMN2S025PC2CX006S
2-1925217-7	18	M32139/03-D14SNS	TMN2N025PC2CX018S
2-1925217-8	18	M32139/03-D14SSS	TMN2S025PC2CX018S
2-1925217-9	36	M32139/03-D15SNS	TMN2N025PC2CX036S
3-1925217-0	36	M32139/03-D15SSS	TMN2S025PC2CX036S
3-1925217-1	6	M32139/03-D16SNS	TMN2N025PC2CM006S
3-1925217-2	6	M32139/03-D16SSS	TMN2S025PC2CM006S
3-1925217-3	18	M32139/03-D17SNS	TMN2N025PC2CM018S
3-1925217-4	18	M32139/03-D17SSS	TMN2S025PC2CM018S
3-1925217-5	36	M32139/03-D18SNS	TMN2N025PC2CM036S
3-1925217-6	36	M32139/03-D18SSS	TMN2S025PC2CM036S

TMN X X XXX XX X XX XXX X

CLASS
M32139

ROW
2 2 ROW

FINISH
N ELECTROLESS NICKEL
S STAINLESS STEEL

POSITION
025 25 POSITION

HARDWARE/THREADS
S 0-80 JACKSCREW, CAPTIVATED (PLUGS)

CONDUCTOR LENGTH
006 SIX INCHES
018 EIGHTEEN INCHES
036 THIRTY SIX INCHES

CONDUCTOR TYPE
DX WHITE PTFE PER NEMA HP3-ETXBBB9
DM COLOR CODED PTFE PER MIL-STD-681, SYSTEM 1
DT WHITE ETFE PER M22759/33-30-9
TM COLOR CODED ETFE PER MIL-STD-681, SYSTEM 1
CX WHITE COMPOSITE/PTFE PER DSCC 04047-30A-9
CM COLOR CODED COMPOSITE/PTFE PER MIL-STD-681, SYSTEM 1

CONDUCTOR SIZE/STRANDS
2 30AWG 7 STRAND

CONFIGURATION
PC PLUG

- THE FINAL 'S' IN THE MIL-SPEC PIN SIGNIFIES THAT THE CONNECTOR IS "SPACE CLASS". OMITTING THIS CHARACTER WILL YIELD THE SAME CORRESPONDING TE AND NANONICS PART NUMBERS.
- THE COLOR CODE SHALL ONLY INCLUDE THE 10 SOLID COLORS IN REPEATING SEQUENCE.
- PRELIMINARY PARTS - NOT RELEASED FOR PRODUCTION

THIS DRAWING IS A CONTROLLED DOCUMENT.		DWN C SCHOLL 16 AUG 10	TE Connectivity	
DIMENSIONS: INCHES		CHK M STORRY 16 AUG 10		
TOLERANCES UNLESS OTHERWISE SPECIFIED:		APVD -	NAME PLUG ASSEMBLY, TWO ROW, FLYING LEADS, PER MIL-DTL-32139/3, SIZE 25	
0 PLC ± - 1 PLC ± - 2 PLC ± - 3 PLC ± - 4 PLC ± - ANGLES ± -		PRODUCT SPEC -	SIZE A2	
MATERIAL -		APPLICATION SPEC -	CAGE CODE 0PJN9	DRAWING NO 1925217
FINISH -		WEIGHT -	RESTRICTED TO -	SCALE 6:1
		CUSTOMER DRAWING	SHEET 2 of 2	REV B