



Chipsmall Limited consists of a professional team with an average of over 10 year of expertise in the distribution of electronic components. Based in Hongkong, we have already established firm and mutual-benefit business relationships with customers from,Europe,America and south Asia,supplying obsolete and hard-to-find components to meet their specific needs.

With the principle of “Quality Parts,Customers Priority,Honest Operation,and Considerate Service”,our business mainly focus on the distribution of electronic components. Line cards we deal with include Microchip,ALPS,ROHM,Xilinx,Pulse,ON,Everlight and Freescale. Main products comprise IC,Modules,Potentiometer,IC Socket,Relay,Connector.Our parts cover such applications as commercial,industrial, and automotives areas.

We are looking forward to setting up business relationship with you and hope to provide you with the best service and solution. Let us make a better world for our industry!



Contact us

Tel: +86-755-8981 8866 Fax: +86-755-8427 6832

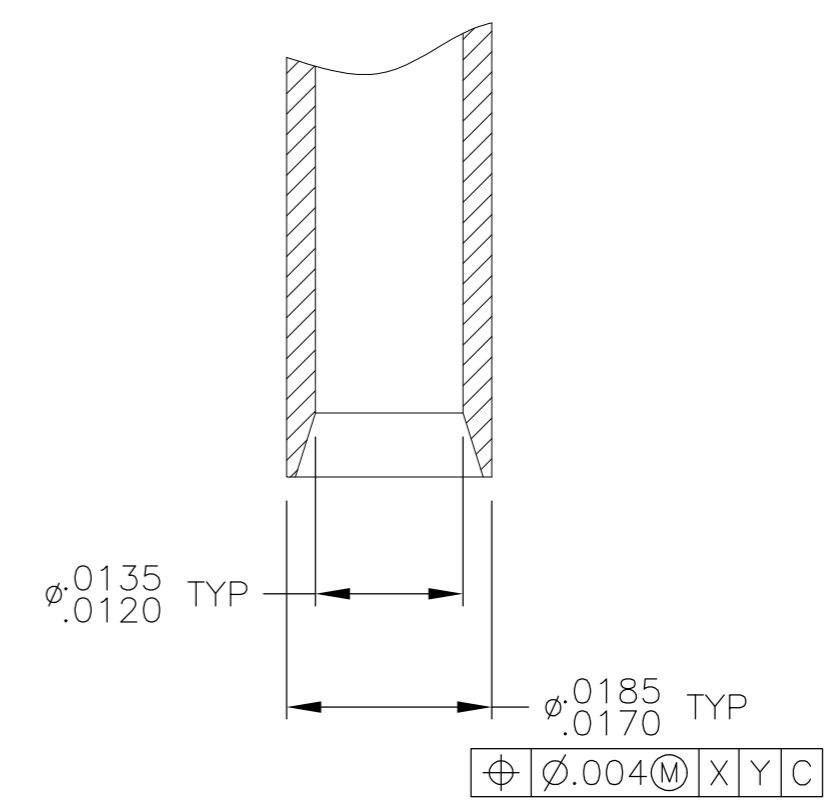
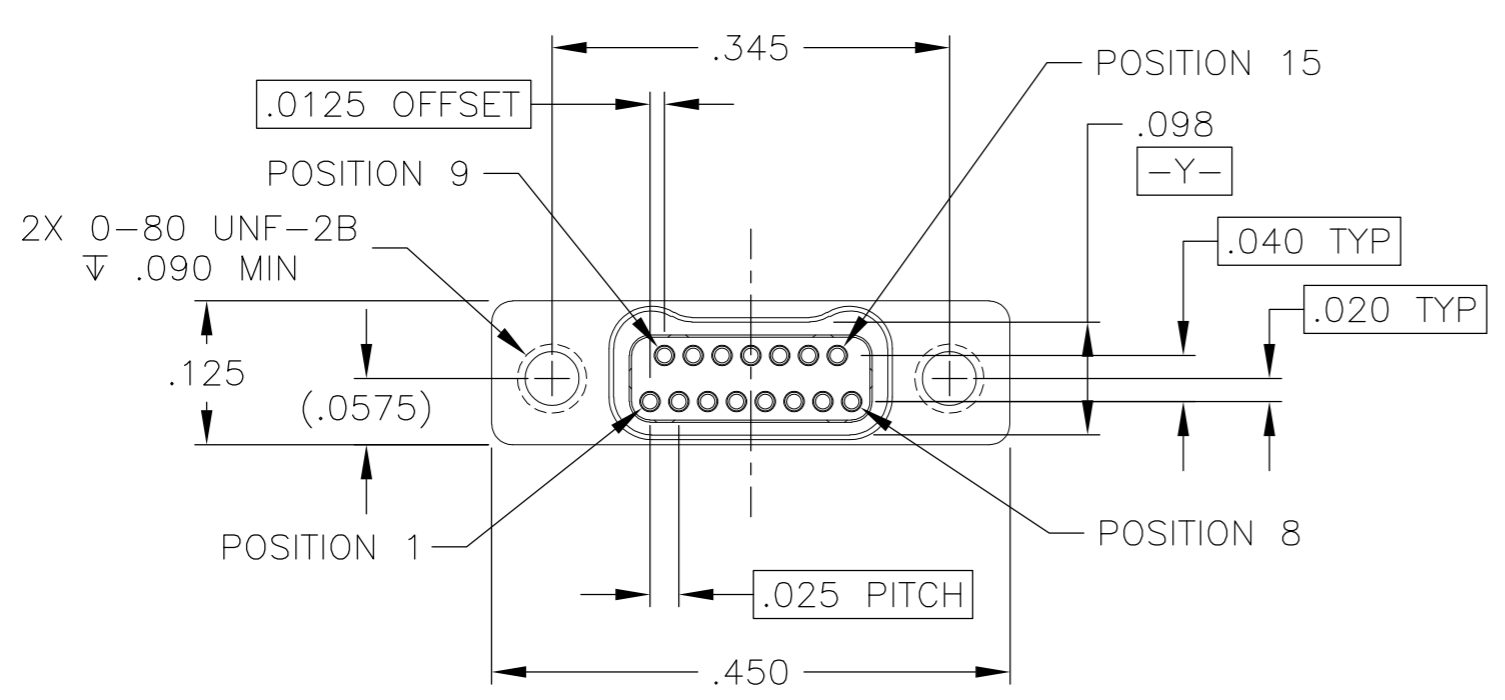
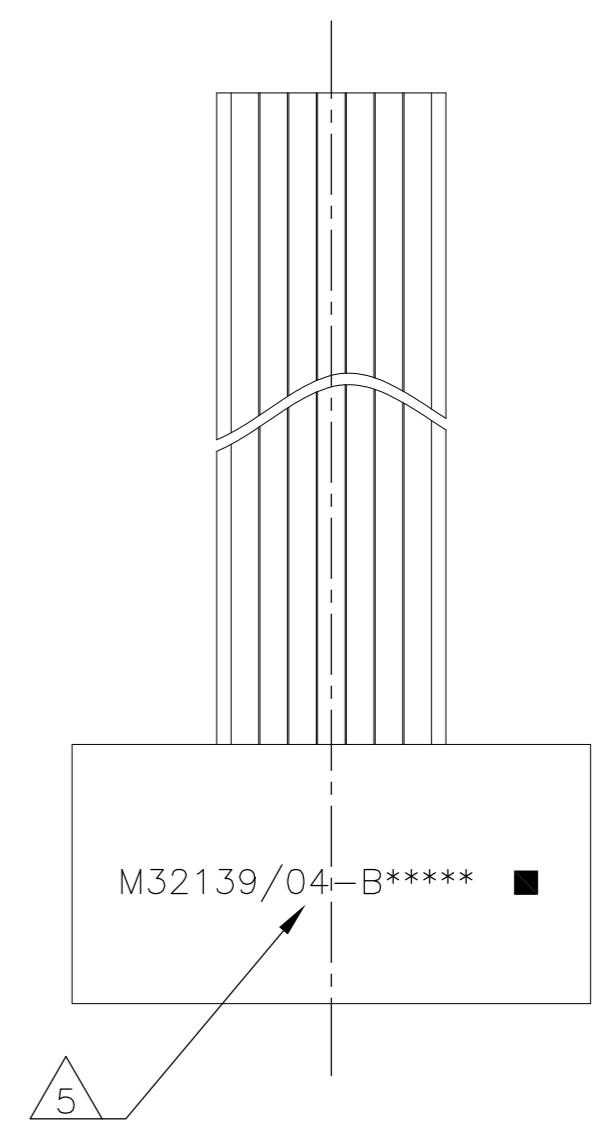
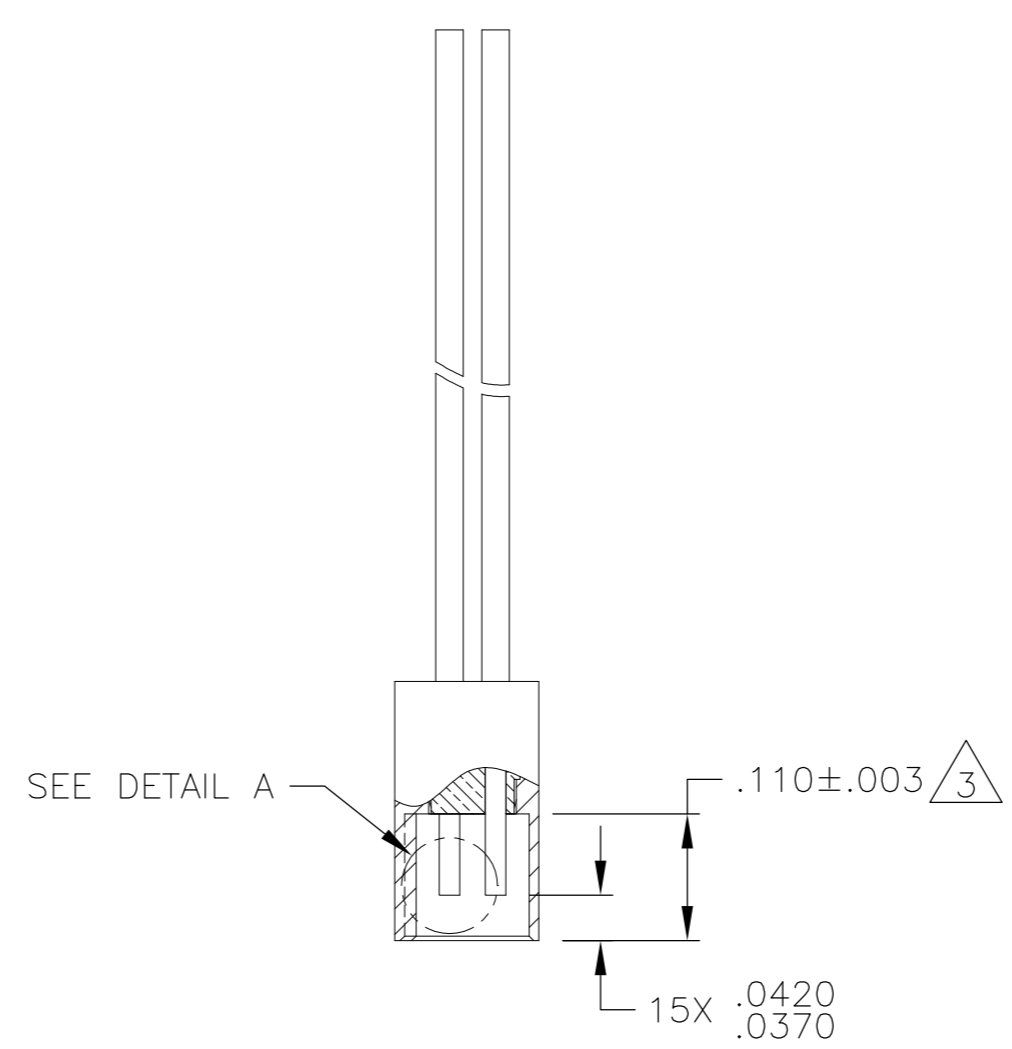
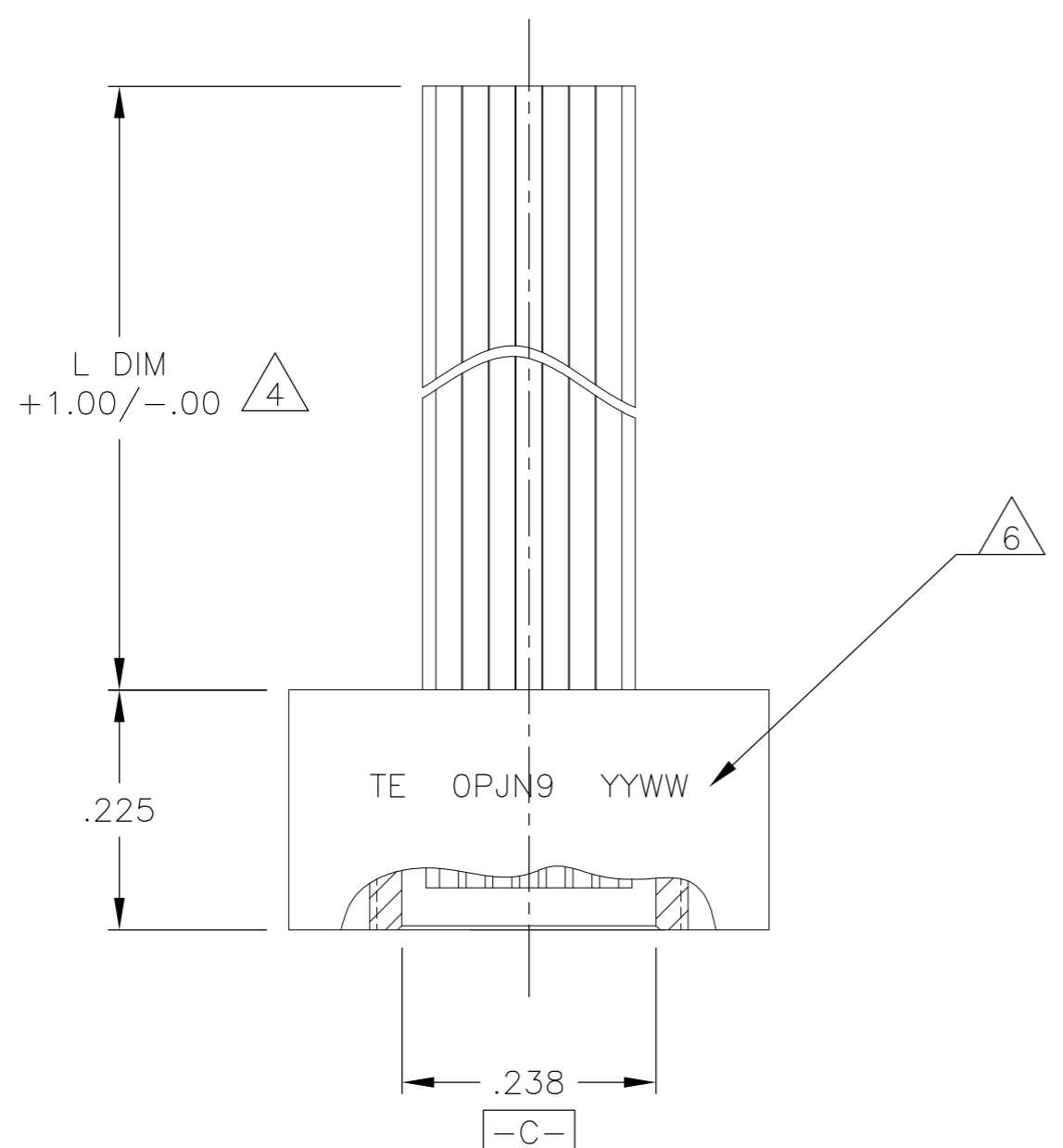
Email & Skype: info@chipsmall.com Web: www.chipsmall.com

Address: A1208, Overseas Decoration Building, #122 Zhenhua RD., Futian, Shenzhen, China



THIS DRAWING IS UNPUBLISHED. RELEASED FOR PUBLICATION
 © COPYRIGHT - By - ALL RIGHTS RESERVED.

LOC		DIST		REVISIONS			
P	LTR	DESCRIPTION		DATE	DWN	APVD	
B		REV PER ECO 15-007382		5-18-15	CT	RL	



DETAIL A
SCALE: 10X

- 1 ALL DIMENSIONS, MATERIALS, AND FINISHES ARE IN ACCORDANCE WITH MIL-DTL-32139 AND MIL-DTL-32139/4
- 2 SEE SHEET 2 FOR MIL-DTL-32139 PIN (PART IDENTIFYING NUMBER) AND CORRESPONDING TE PART NUMBERS

- 3 INSULATOR SHALL BE FLUSH WITH THE SHELL TO WITHIN $\pm .004$
- 4 WIRE TYPE DEFINED BY MIL-DTL-32139/4
- 5 CONNECTOR SHALL BE MARKED IN ACCORDANCE WITH METHOD I OF MIL-STD-1285. MARKING SHALL CONTAIN THE MILITARY PIN AND POSITION 1 INDICATED BY AN IDENTIFIABLE MARK, LOCATED APPROXIMATELY AS SHOWN ON THE POSITION 1 SIDE OF THE CONNECTOR FLANGE. TEXT HEIGHT SHALL BE .035 INCH MINIMUM.
- 6 CONNECTOR SHALL BE MARKED IN ACCORDANCE WITH METHOD I OF MIL-STD-1285. MARKING SHALL CONTAIN TE, CAGE CODE AND DATE CODE. EXAMPLE: TE OPJN9 YYWW (WHERE YYWW IS THE DATE CODE). TEXT HEIGHT SHALL BE .035 INCH MINIMUM.

THIS DRAWING IS A CONTROLLED DOCUMENT.		DWN C SCHOLL 16 AUG 10	TE Connectivity	
DIMENSIONS: INCHES		CHK M STORRY 16 AUG 10		
TOLERANCES UNLESS OTHERWISE SPECIFIED:		APVD -	NAME RECEPTACLE ASSEMBLY, TWO ROW, FLYING LEADS, PER MIL-DTL-32139/4, SIZE 15	
0 PLC ± -		PRODUCT SPEC -	SIZE A2	
1 PLC ± -		APPLICATION SPEC -	CAGE CODE OPJN9	DRAWING NO 1925222
2 PLC ± -		WEIGHT -	RESTRICTED TO -	
3 PLC ± .005		CUSTOMER DRAWING	SCALE 6:1	SHEET 1 of 2
4 PLC ± -			REV B	
ANGLES ± 2°				
MATERIAL SEE NOTES	FINISH SEE NOTES			

THIS DRAWING IS UNPUBLISHED. RELEASED FOR PUBLICATION
 © COPYRIGHT - By - ALL RIGHTS RESERVED.

LOC		DIST		REVISIONS			
P	LTR	DESCRIPTION	DATE	DWN	APVD		
-	-	SEE SHEET 1	-	-	-		

PART NUMBER CROSS REFERENCE			
TE P/N	L DIM	MIL SPEC PIN	NANONICS P/N
1925222-1	6	M32139/04-B01TNS	TMN2N015SC2DX006T
1925222-2	6	M32139/04-B01TSS	TMN2S015SC2DX006T
1925222-3	18	M32139/04-B02TNS	TMN2N015SC2DX018T
1925222-4	18	M32139/04-B02TSS	TMN2S015SC2DX018T
1925222-5	36	M32139/04-B03TNS	TMN2N015SC2DX036T
1925222-6	36	M32139/04-B03TSS	TMN2S015SC2DX036T
1925222-7	6	M32139/04-B04TNS	TMN2N015SC2DM006T
1925222-8	6	M32139/04-B04TSS	TMN2S015SC2DM006T
1925222-9	18	M32139/04-B05TNS	TMN2N015SC2DM018T
1-1925222-0	18	M32139/04-B05TSS	TMN2S015SC2DM018T
1-1925222-1	36	M32139/04-B06TNS	TMN2N015SC2DM036T
1-1925222-2	36	M32139/04-B06TSS	TMN2S015SC2DM036T
1-1925222-3	6	M32139/04-B07TNS	TMN2N015SC2DT006T
1-1925222-4	6	M32139/04-B07TSS	TMN2S015SC2DT006T
1-1925222-5	18	M32139/04-B08TNS	TMN2N015SC2DT018T
1-1925222-6	18	M32139/04-B08TSS	TMN2S015SC2DT018T
1-1925222-7	36	M32139/04-B09TNS	TMN2N015SC2DT036T
1-1925222-8	36	M32139/04-B09TSS	TMN2S015SC2DT036T
1-1925222-9	6	M32139/04-B10TNS	TMN2N015SC2TM006T
2-1925222-0	6	M32139/04-B10TSS	TMN2S015SC2TM006T
2-1925222-1	18	M32139/04-B11TNS	TMN2N015SC2TM018T
2-1925222-2	18	M32139/04-B11TSS	TMN2S015SC2TM018T
2-1925222-3	36	M32139/04-B12TNS	TMN2N015SC2TM036T
2-1925222-4	36	M32139/04-B12TSS	TMN2S015SC2TM036T

2-1925222-5	6	M32139/04-B13TNS	TMN2N015SC2CX006T
2-1925222-6	6	M32139/04-B13TSS	TMN2S015SC2CX006T
2-1925222-7	18	M32139/04-B14TNS	TMN2N015SC2CX018T
2-1925222-8	18	M32139/04-B14TSS	TMN2S015SC2CX018T
2-1925222-9	36	M32139/04-B15TNS	TMN2N015SC2CX036T
3-1925222-0	36	M32139/04-B15TSS	TMN2S015SC2CX036T
3-1925222-1	6	M32139/04-B16TNS	TMN2N015SC2CM006T
3-1925222-2	6	M32139/04-B16TSS	TMN2S015SC2CM006T
3-1925222-3	18	M32139/04-B17TNS	TMN2N015SC2CM018T
3-1925222-4	18	M32139/04-B17TSS	TMN2S015SC2CM018T
3-1925222-5	36	M32139/04-B18TNS	TMN2N015SC2CM036T
3-1925222-6	36	M32139/04-B18TSS	TMN2S015SC2CM036T

TMN X X XXX XX X XX XXX X

CLASS
M32139

ROW
2 2 ROW

FINISH
N ELECTROLESS NICKEL
S STAINLESS STEEL

POSITION
015 15 POSITION

HARDWARE/THREADS
T 0-80 THREADS (RECEPTACLES)

CONDUCTOR LENGTH
006 SIX INCHES
018 EIGHTEEN INCHES
036 THIRTY SIX INCHES

CONDUCTOR TYPE
DX WHITE PTFE PER NEMA HP3-ETXBBB9
DM COLOR CODED PTFE PER MIL-STD-681, SYSTEM 1
DT WHITE ETFE PER M22759/33-30-9
TM COLOR CODED ETFE PER MIL-STD-681, SYSTEM 1
~~CX WHITE COMPOSITE/PTFE PER DSCC 04047 30A 9~~
~~CM COLOR CODED COMPOSITE/PTFE PER MIL-STD-681, SYSTEM 1~~

CONDUCTOR SIZE/STRANDS
2 30AWG 7 STRAND

CONFIGURATION
SC RECEPTACLE

- THE FINAL 'S' IN THE MIL-SPEC PIN SIGNIFIES THAT THE CONNECTOR IS "SPACE CLASS". OMITTING THIS CHARACTER WILL YIELD THE SAME CORRESPONDING TE AND NANONICS PART NUMBERS.
- THE COLOR CODE SHALL ONLY INCLUDE THE 10 SOLID COLORS IN REPEATING SEQUENCE.
- PRELIMINARY PARTS - NOT RELEASED FOR PRODUCTION

THIS DRAWING IS A CONTROLLED DOCUMENT.		DWN C SCHOLL 16 AUG 10	TE Connectivity	
DIMENSIONS: INCHES		CHK M STORRY 16 AUG 10		
TOLERANCES UNLESS OTHERWISE SPECIFIED: 0 PLC ± - 1 PLC ± - 2 PLC ± - 3 PLC ± - 4 PLC ± - ANGLES ± 2°		APVD -	NAME RECEPTACLE ASSEMBLY, TWO ROW, FLYING LEADS, PER MIL-DTL-32139/4, SIZE 15	
MATERIAL -		FINISH -	PRODUCT SPEC -	APPLICATION SPEC -
		WEIGHT -	SIZE A2	CAGE CODE 0PJN9
		CUSTOMER DRAWING	DRAWING NO 1925222	RESTRICTED TO -
		SCALE 6:1	SHEET 2 of 2	REV B