



Chipsmall Limited consists of a professional team with an average of over 10 year of expertise in the distribution of electronic components. Based in Hongkong, we have already established firm and mutual-benefit business relationships with customers from,Europe,America and south Asia,supplying obsolete and hard-to-find components to meet their specific needs.

With the principle of “Quality Parts,Customers Priority,Honest Operation,and Considerate Service”,our business mainly focus on the distribution of electronic components. Line cards we deal with include Microchip,ALPS,ROHM,Xilinx,Pulse,ON,Everlight and Freescale. Main products comprise IC,Modules,Potentiometer,IC Socket,Relay,Connector.Our parts cover such applications as commercial,industrial, and automotives areas.

We are looking forward to setting up business relationship with you and hope to provide you with the best service and solution. Let us make a better world for our industry!



## Contact us

Tel: +86-755-8981 8866 Fax: +86-755-8427 6832

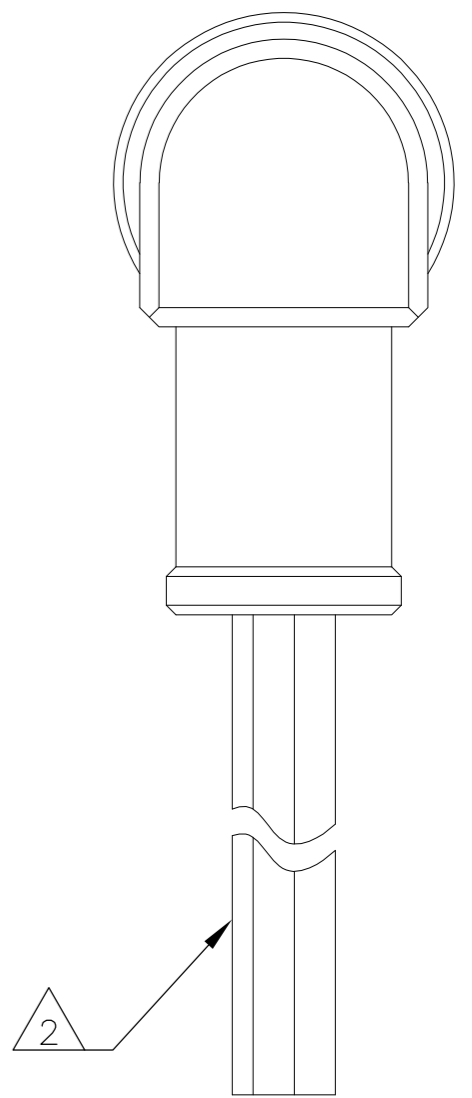
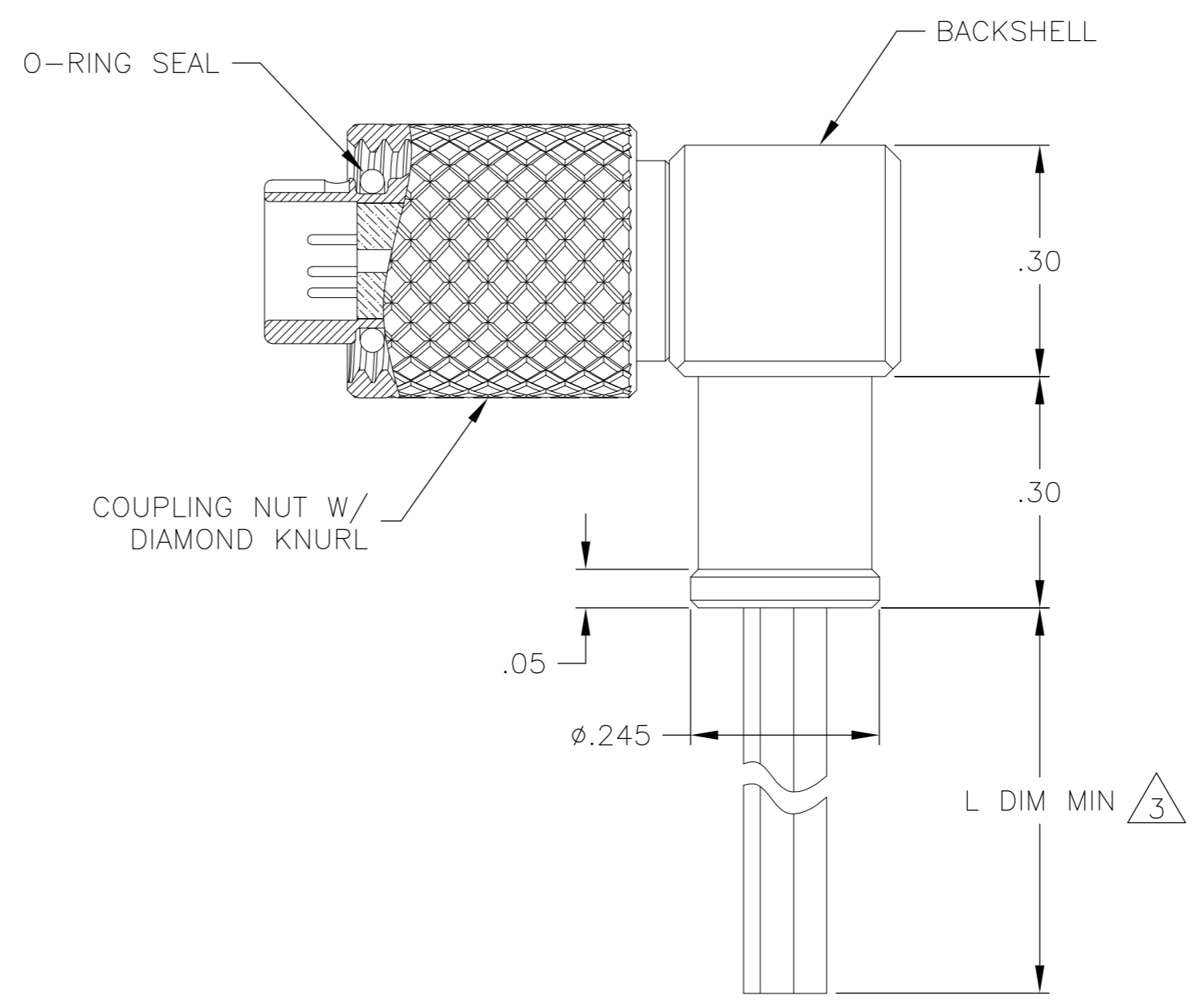
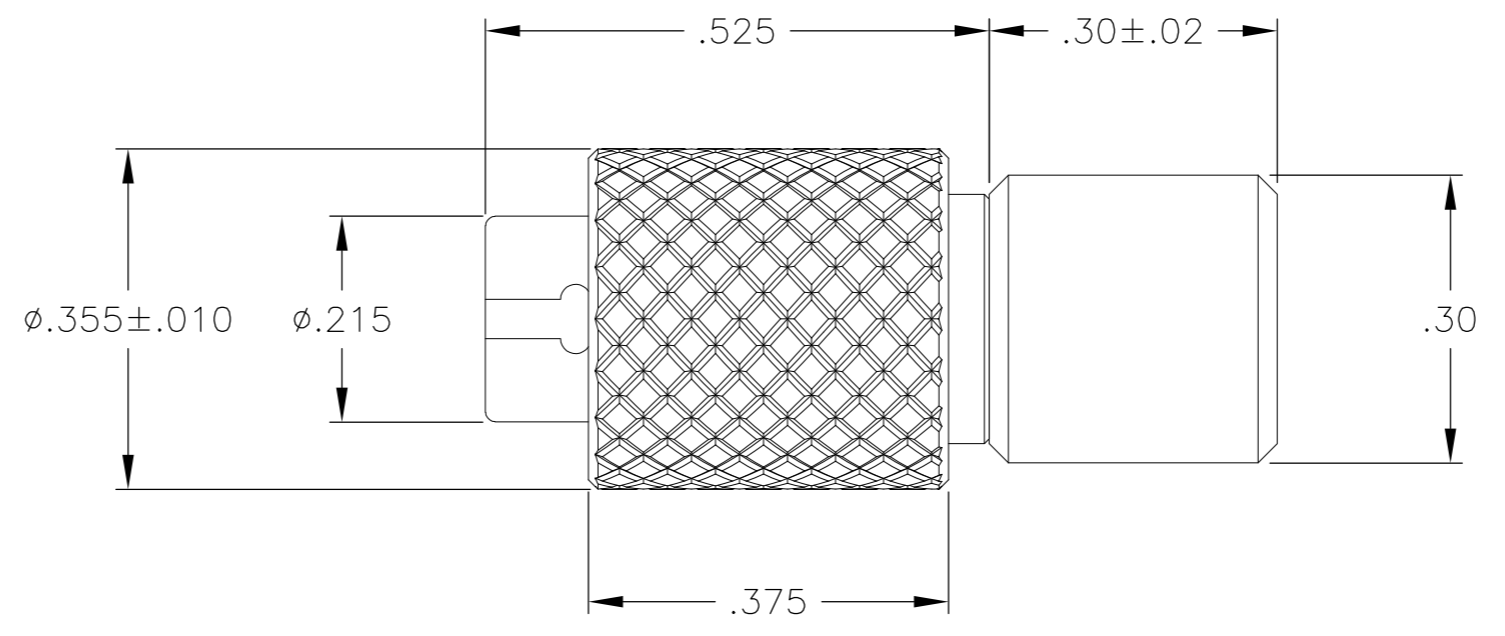
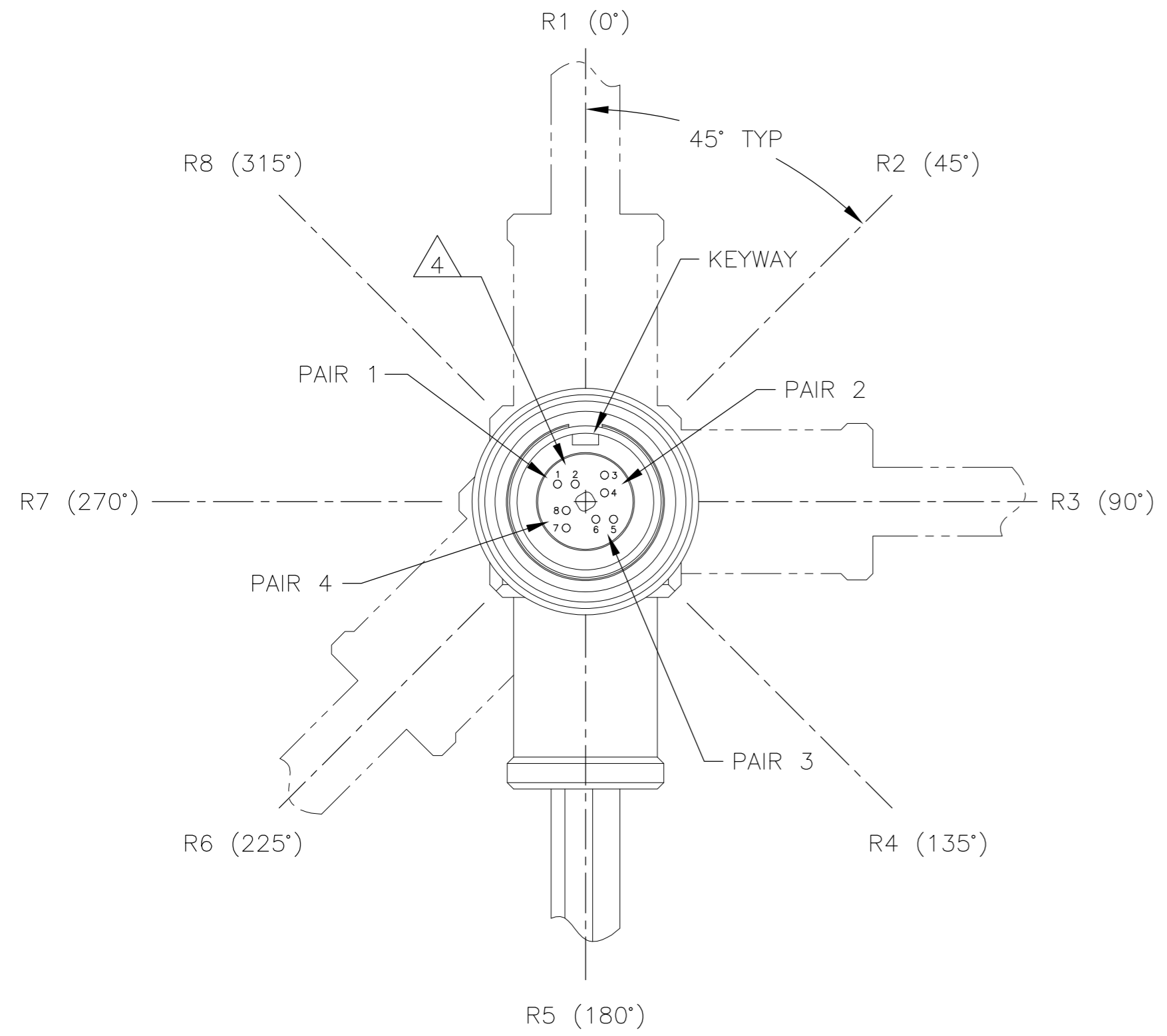
Email & Skype: info@chipsmall.com Web: www.chipsmall.com

Address: A1208, Overseas Decoration Building, #122 Zhenhua RD., Futian, Shenzhen, China



THIS DRAWING IS UNPUBLISHED. RELEASED FOR PUBLICATION  
 © COPYRIGHT - By - ALL RIGHTS RESERVED.

LOC		DIST		REVISIONS			
P	LTR	DESCRIPTION	DATE	DWN	APVD		
	A	PRODUCTION RELEASE PER ECO-13-014747	9-18-13	CT	RL		



- 1 CONNECTOR BODY, COUPLING NUT, AND BACKSHELL MATERIAL: 6061-T6 ALUMINUM, ELECTROLESS NICKEL PLATED PER SAE-AMS-C-26074 OR SAE-AMS-2404
- LOCKING RING MATERIAL: BERYLLIUM COPPER, ELECTROLESS NICKEL PLATED PER SAE-AMS-C-26074 OR SAE-AMS-2404
- INSULATOR MATERIAL: LIQUID CRYSTAL POLYMER (LCP) PER ASTM D5138
- O-RING MATERIAL: FLUOROSILICONE PER SAE-AMS-R-25988

- 2 TERMINATED WITH MADISON CABLE 30 AWG 10G TURBO TWIN PAIR
- 3 CABLE LENGTH IS AS INDICATED IN THE CORRESPONDING NANONICS PART NUMBER
- 4 CAVITY POSITIONS ARE SHOWN FOR REFERENCE ONLY AND ARE NOT MARKED ON THE PART
- 5 LUBRICATE O-RING WITH PARKER SUPER-O-LUBE PRIOR TO INSTALLATION
- 6 BACKSHELL MAY BE ORIENTED IN THE EIGHT DIRECTIONS SHOWN (R1 THROUGH R8). R5 IS STANDARD. THE BACKSHELL CODE AT THE END OF THE NANONICS PART NUMBER SHALL INDICATE BACKSHELL ORIENTATION.
- 7 BONDING RESISTANCE OF CONNECTOR BODY TO BACKSHELL SHALL BE 25 MILLIOHMS MAXIMUM
- 8 REFERENCE TE PRODUCT SPECIFICATION 108-32048 FOR PRODUCT DETAILS AND PERFORMANCE

THIS DRAWING IS A CONTROLLED DOCUMENT.		DWN	M STORRY	2 AUG 2012	<b>TE</b> TE Connectivity
DIMENSIONS: INCHES		CHK	M STORRY	2 AUG 2012	
TOLERANCES UNLESS OTHERWISE SPECIFIED:		APVD	M STORRY	2 AUG 2012	
0 PLC ± - 1 PLC ± - 2 PLC ± .010 3 PLC ± .005 4 PLC ± - ANGLES ± 1° FINISH SEE NOTES		PRODUCT SPEC	NAME		
MATERIAL SEE NOTES		APPLICATION SPEC	PLUG ASSEMBLY, CIRCULAR, THREADED COUPLING, RIGHT ANGLE BACKSHELL, METAL, 8 POSITION, 10GbE, CeeLok FAS-T Nano Circular		
		WEIGHT	-		SIZE
		CUSTOMER DRAWING	A2		CAGE CODE
		SCALE	5:1		DRAWING NO
		SHEET	1 of 1		RESTRICTED TO
		REV	A		