



Chipsmall Limited consists of a professional team with an average of over 10 year of expertise in the distribution of electronic components. Based in Hongkong, we have already established firm and mutual-benefit business relationships with customers from,Europe,America and south Asia,supplying obsolete and hard-to-find components to meet their specific needs.

With the principle of "Quality Parts,Customers Priority,Honest Operation,and Considerate Service",our business mainly focus on the distribution of electronic components. Line cards we deal with include Microchip,ALPS,ROHM,Xilinx,Pulse,ON,Everlight and Freescale. Main products comprise IC,Modules,Potentiometer,IC Socket,Relay,Connector.Our parts cover such applications as commercial,industrial, and automotives areas.

We are looking forward to setting up business relationship with you and hope to provide you with the best service and solution. Let us make a better world for our industry!



## Contact us

Tel: +86-755-8981 8866 Fax: +86-755-8427 6832

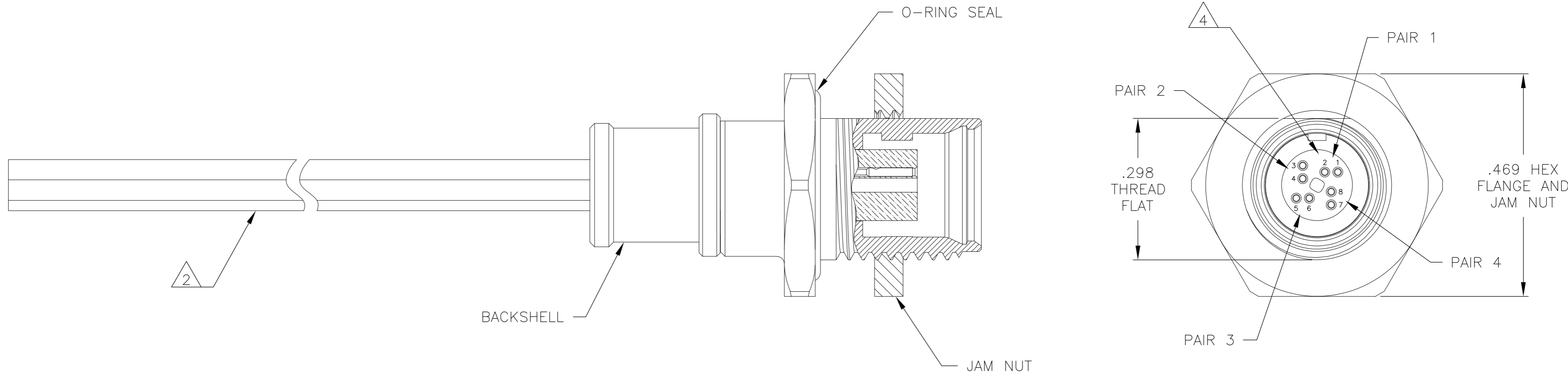
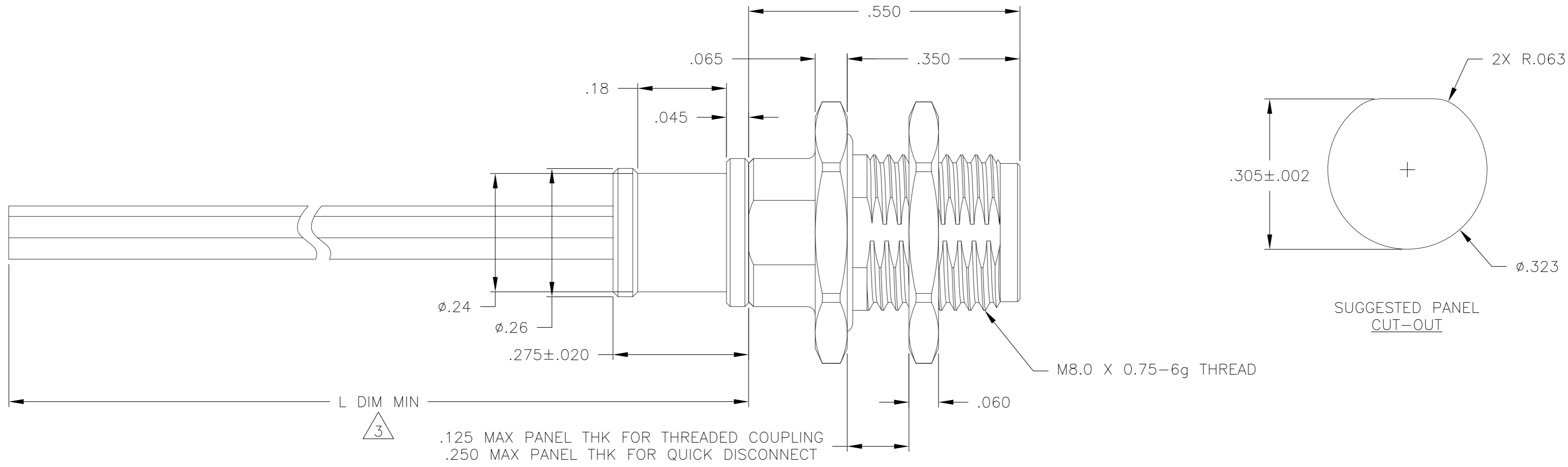
Email & Skype: info@chipsmall.com Web: www.chipsmall.com

Address: A1208, Overseas Decoration Building, #122 Zhenhua RD., Futian, Shenzhen, China



THIS DRAWING IS UNPUBLISHED. RELEASED FOR PUBLICATION  
 © COPYRIGHT - By - ALL RIGHTS RESERVED.

LOC		DIST		REVISIONS			
P	LTR	DESCRIPTION	DATE	DWN	APVD		
	A	PRODUCTION RELEASE PER ECO-13-014747	9-18-13	CT	RL		



- 1 CONNECTOR BODY, JAM NUT, AND BACKSHELL MATERIAL: 6061-T6 ALUMINUM, ELECTROLESS NICKEL PLATED PER SAE-AMS-C-26074 OR SAE-AMS-2404  
INSULATOR MATERIAL: LIQUID CRYSTAL POLYMER (LCP) PER ASTM D5138  
O-RING MATERIAL: FLUOROSILICONE PER SAE-AMS-R-25988
- 2 TERMINATED WITH MADISON CABLE 30 AWG 10G TURBO TWIN PAIR
- 3 CABLE LENGTH IS AS INDICATED IN THE CORRESPONDING NANONICS PART NUMBER
- 4 CAVITY POSITIONS ARE SHOWN FOR REFERENCE ONLY AND ARE NOT MARKED ON THE PART
- 5 BONDING RESISTANCE OF CONNECTOR BODY TO BACKSHELL SHALL BE 25 MILLIOHMS MAXIMUM
- 6 LUBRICATE O-RING WITH PARKER SUPER-O-LUBE PRIOR TO INSTALLATION
- 7 REFERENCE TE PRODUCT SPECIFICATION 108-32048 FOR PRODUCT DETAILS AND PERFORMANCE

THIS DRAWING IS A CONTROLLED DOCUMENT.		DWN M STORRY 30 JUL 2012		
DIMENSIONS: INCHES		CHK M STORRY 30 JUL 2012		
TOLERANCES UNLESS OTHERWISE SPECIFIED:		APVD M STORRY 30 JUL 2012	NAME	
0 PLC ± -		PRODUCT SPEC	RECEPTACLE ASSEMBLY, CIRCULAR, REAR PANEL MT, THD COUPLING/QUICK DISC, STRAIGHT BACKSHELL METAL, 8 POS, 10GbE, CeeLok FAS-T Nano Circular	
1 PLC ± -		APPLICATION SPEC	SIZE	RESTRICTED TO
2 PLC ± .010		WEIGHT	A2	
3 PLC ± .005		CUSTOMER DRAWING	CAGE CODE	
4 PLC ± -		SCALE	OPJN9	
ANGLES ± 1°		SHEET	C=1925259	
FINISH		1 OF 1	REV	
SEE NOTES		A		