



Chipsmall Limited consists of a professional team with an average of over 10 year of expertise in the distribution of electronic components. Based in Hongkong, we have already established firm and mutual-benefit business relationships with customers from,Europe,America and south Asia,supplying obsolete and hard-to-find components to meet their specific needs.

With the principle of "Quality Parts,Customers Priority,Honest Operation,and Considerate Service",our business mainly focus on the distribution of electronic components. Line cards we deal with include Microchip,ALPS,ROHM,Xilinx,Pulse,ON,Everlight and Freescale. Main products comprise IC,Modules,Potentiometer,IC Socket,Relay,Connector.Our parts cover such applications as commercial,industrial, and automotives areas.

We are looking forward to setting up business relationship with you and hope to provide you with the best service and solution. Let us make a better world for our industry!



## Contact us

Tel: +86-755-8981 8866 Fax: +86-755-8427 6832

Email & Skype: info@chipsmall.com Web: www.chipsmall.com

Address: A1208, Overseas Decoration Building, #122 Zhenhua RD., Futian, Shenzhen, China



4

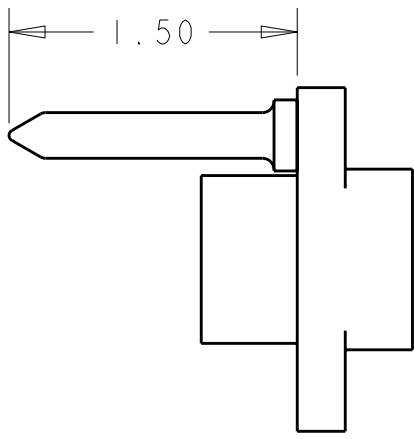
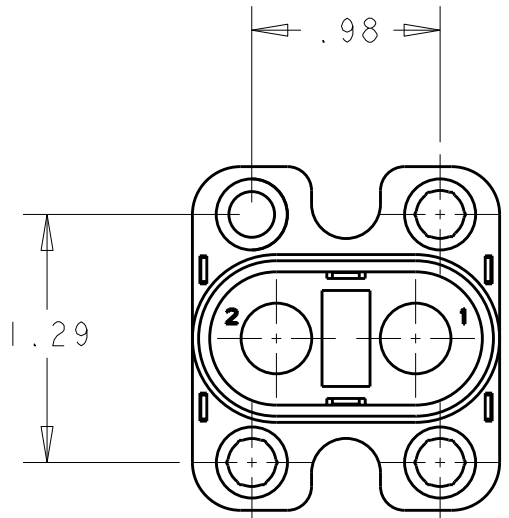
3

2

1

THIS DRAWING IS UNPUBLISHED. RELEASED FOR PUBLICATION 20  
 © COPYRIGHT 20 BY TYCO ELECTRONICS CORPORATION. ALL RIGHTS RESERVED.

LOC	DIST	REVISIONS			
P	LTR	DESCRIPTION	DATE	DWN	APVD
GP	00	A	INITIAL RELEASE	26SEP2006	GIP DO
		B	REVISED PER ECO-06-027848	29NOV2006	GIP DO



- PART NUMBER CHANGES AND/OR DESIGN CHANGES AFFECTING THE INTERCHANGEABILITY REQUIRES PRIOR TYCO APPROVAL AND AUTHORIZATION BY REVISION TO THIS DRAWING.
- MATERIAL: INSULATOR: THERMOPLASTIC, GLASS REINFORCED, FLAMMABILITY RATED, COLOR: BLACK  
 GUIDE PIN: STAINLESS STEEL  
 LOCKING COLLAR: STAINLESS STEEL

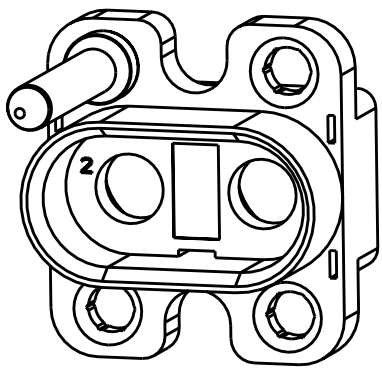
3 ITEMS PROVIDED TO THIS SPECIFICATION TO BE PERMANENTLY IDENTIFIED PER THE FOLLOWING IDENTIFIER:

YEAR      WEEK

TYCO PART NUMBER      DATE CODE (i.e. 0216)

XXXXXXX-X      XXXX

4. TYCO PART NUMBER :  
 1926236-1 MARKED/LABEL 3



P/N 1926236-1

1926236-1  
 PART NUMBER

<small>THIS DRAWING IS A CONTROLLED DOCUMENT FOR TYCO ELECTRONICS CORPORATION IT IS SUBJECT TO CHANGE AND THE CONTROLLING ENGINEERING ORGANIZATION SHOULD BE CONTACTED FOR THE LATEST REVISION.</small>		DWN G.PETERS 26SEP2006 CHK D.ORRIS 26SEP2006 APVD S.FLICKINGER 26SEP2006	<b>tyco</b> <b>Electronics</b> Tyco Electronics Harrisburg, PA 17105-3608
DIMENSIONS: INCHES 	TOLERANCES UNLESS OTHERWISE SPECIFIED: 0 PLC ±. 1 PLC ±.1 2 PLC ±.02 3 PLC ±.010 4 PLC ±.0005 ANGLES ±.5	PRODUCT SPEC - APPLICATION SPEC - WEIGHT -	NAME DUALPOWER CONNECTOR PIN HOUSING W/M3 INT THD GUIDE PINS
MATERIAL -	FINISH -	CUSTOMER DRAWING	SIZE A3 CAGE CODE 00779 DRAWING NO C-1926236 RESTRICTED TO - SCALE 1:1 SHEET 1 OF 2 REV B

ELCON DRAWER

4

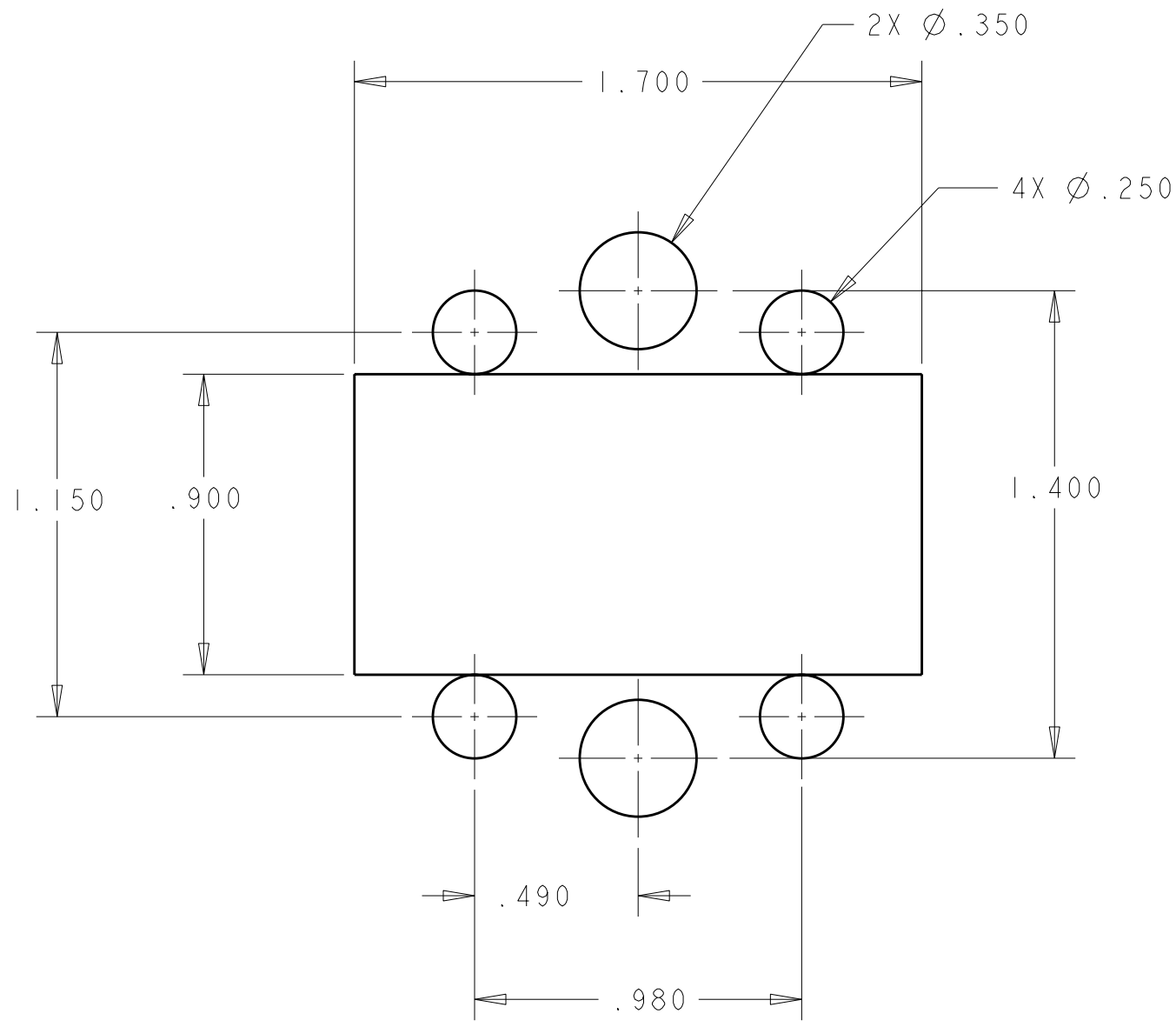
3

2

1

THIS DRAWING IS UNPUBLISHED. RELEASED FOR PUBLICATION 20  
 © COPYRIGHT 20 BY TYCO ELECTRONICS CORPORATION. ALL RIGHTS RESERVED.

LOC	DIST	REVISIONS			
P	LTR	DESCRIPTION	DATE	DWN	APVD
GP	00	-	SEE SHEET 1	-	-



<small>THIS DRAWING IS A CONTROLLED DOCUMENT FOR TYCO ELECTRONICS CORPORATION          IT IS SUBJECT TO CHANGE AND THE CONTROLLING ENGINEERING ORGANIZATION          SHOULD BE CONTACTED FOR THE LATEST REVISION.</small>		DWN G.PETERS 26SEP2006 CHK D.ORRIS 26SEP2006 APVD S.FLICKINGER 26SEP2006		Tyco Electronics Harrisburg, PA 17105-3608	
DIMENSIONS: INCHES		TOLERANCES UNLESS OTHERWISE SPECIFIED:		NAME DUALPOWER CONNECTOR PIN HOUSING W/M3 INT THD GUIDE PINS	
		0 PLC ±. 1 PLC ±.1 2 PLC ±.02 3 PLC ±.010 4 PLC ±.0005 ANGLES ±.5		PRODUCT SPEC -	
MATERIAL -		FINISH -		APPLICATION SPEC -	
				WEIGHT -	
CUSTOMER DRAWING				SCALE 1:1 SHEET 2 OF 2 REV B	
				SIZE A3 CAGE CODE 00779 DRAWING NO C-1926236 RESTRICTED TO -	