



Chipsmall Limited consists of a professional team with an average of over 10 year of expertise in the distribution of electronic components. Based in Hongkong, we have already established firm and mutual-benefit business relationships with customers from,Europe,America and south Asia,supplying obsolete and hard-to-find components to meet their specific needs.

With the principle of "Quality Parts,Customers Priority,Honest Operation,and Considerate Service",our business mainly focus on the distribution of electronic components. Line cards we deal with include Microchip,ALPS,ROHM,Xilinx,Pulse,ON,Everlight and Freescale. Main products comprise IC,Modules,Potentiometer,IC Socket,Relay,Connector.Our parts cover such applications as commercial,industrial, and automotives areas.

We are looking forward to setting up business relationship with you and hope to provide you with the best service and solution. Let us make a better world for our industry!



Contact us

Tel: +86-755-8981 8866 Fax: +86-755-8427 6832

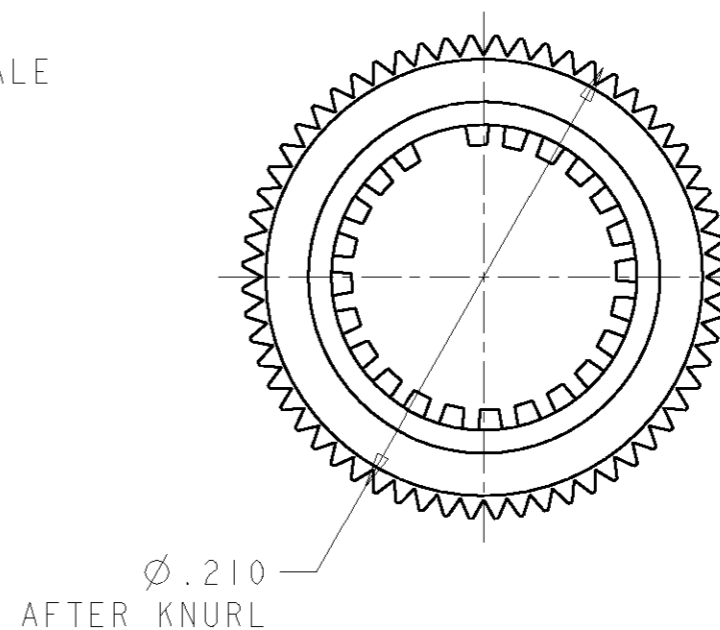
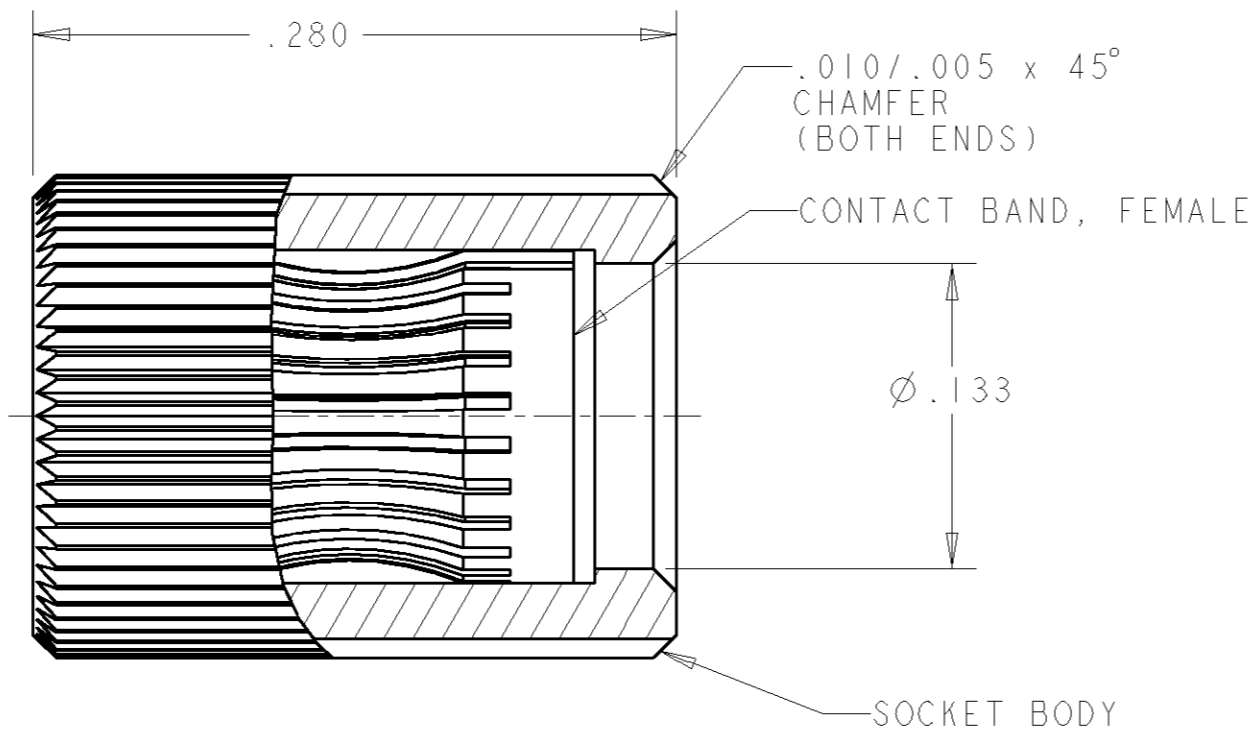
Email & Skype: info@chipsmall.com Web: www.chipsmall.com

Address: A1208, Overseas Decoration Building, #122 Zhenhua RD., Futian, Shenzhen, China



THIS DRAWING IS UNPUBLISHED. RELEASED FOR PUBLICATION 20
 © COPYRIGHT 20 BY TYCO ELECTRONICS CORPORATION. ALL RIGHTS RESERVED.

LOC	DIST	REVISIONS			
P	LTR	DESCRIPTION	DATE	DWN	APVD
GP	00	A	RELEASED	11JAN2007	RG SF



1. PART NUMBER CHANGES AND/OR DESIGN CHANGES AFFECTING ITEM INTERCHANGEABILITY REQUIRES PRIOR TYCO APPROVAL AND AUTHORIZATION BY REVISION TO THIS DRAWING.

2. RECOMMENDED BUS BAR HOLE Ø .205±.001.

3 MATERIAL:
 SOCKET BODY - BRASS
 CONTACT BAND - BERYLLIUM COPPER

4 FINISH:
 SOCKET BODY - SILVER PLATE .000200 MIN THK. OVER NICKEL .000050 MIN THK.
 CONTACT BAND - SILVER PLATE .000200 MIN THK. OVER NICKEL .000040 MIN THK.

5. ITEMS PROVIDED TO THIS SPECIFICATION SHALL BE IDENTIFIED ON THE PACKAGE AS FOLLOWS: MFG IDENTIFICATION AND PART NUMBER

6. MATES WITH A Ø .125" PIN.

AS SHOWN	1926360-1
DESCRIPTION	PART NUMBER

<small>THIS DRAWING IS A CONTROLLED DOCUMENT FOR TYCO ELECTRONICS CORPORATION. IT IS SUBJECT TO CHANGE AND THE CONTROLLING ENGINEERING ORGANIZATION SHOULD BE CONTACTED FOR THE LATEST REVISION.</small>		DWN R.GRZYBOWSKI 11JAN2007 CHR S.FLICKINGER 11JAN2007 APVD S.FLICKINGER 11JAN2007		tyco Tyco Electronics Electronics Harrisburg, PA 17105-3608	
DIMENSIONS: INCHES 		TOLERANCES UNLESS OTHERWISE SPECIFIED: 0 PLC ±- 1 PLC ±- 2 PLC ±.010 3 PLC ±.005 4 PLC ±- ANGLES ±-		NAME SOCKET ASSEMBLY, SPECIAL, PRESS FIT FOR NO.10 CROWN CPU BUS PRODUCT SPEC - APPLICATION SPEC - WEIGHT -	
MATERIAL - 3		FINISH - 4		SIZE A3 CAGE CODE 00779 DRAWING NO C-1926360 RESTRICTED TO -	
CUSTOMER DRAWING				SCALE 10:1 SHEET 1 OF 1 REV A	