



Chipsmall Limited consists of a professional team with an average of over 10 year of expertise in the distribution of electronic components. Based in Hongkong, we have already established firm and mutual-benefit business relationships with customers from,Europe,America and south Asia,supplying obsolete and hard-to-find components to meet their specific needs.

With the principle of “Quality Parts,Customers Priority,Honest Operation,and Considerate Service”,our business mainly focus on the distribution of electronic components. Line cards we deal with include Microchip,ALPS,ROHM,Xilinx,Pulse,ON,Everlight and Freescale. Main products comprise IC,Modules,Potentiometer,IC Socket,Relay,Connector.Our parts cover such applications as commercial,industrial, and automotives areas.

We are looking forward to setting up business relationship with you and hope to provide you with the best service and solution. Let us make a better world for our industry!



Contact us

Tel: +86-755-8981 8866 Fax: +86-755-8427 6832

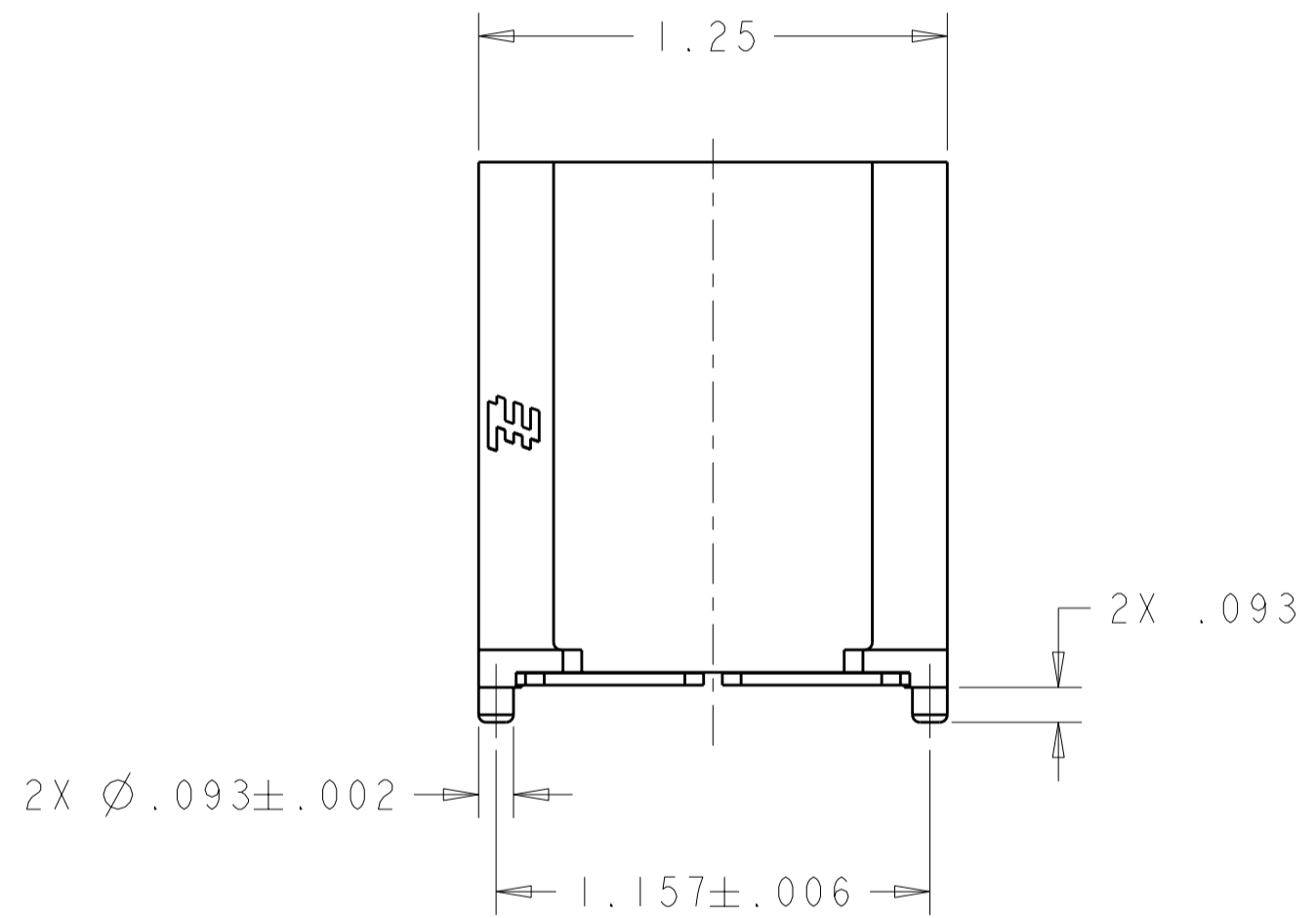
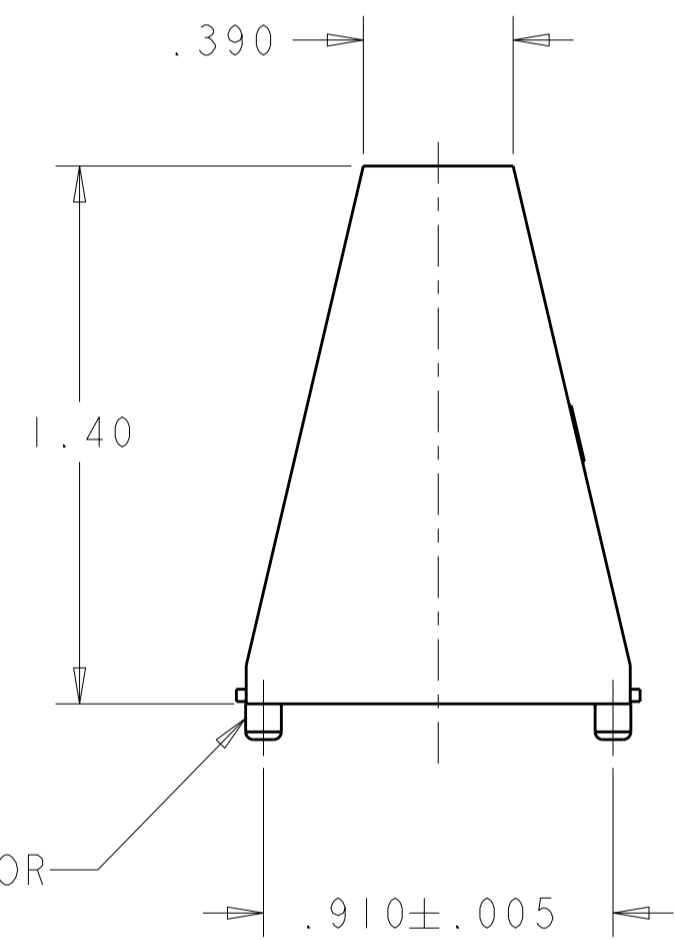
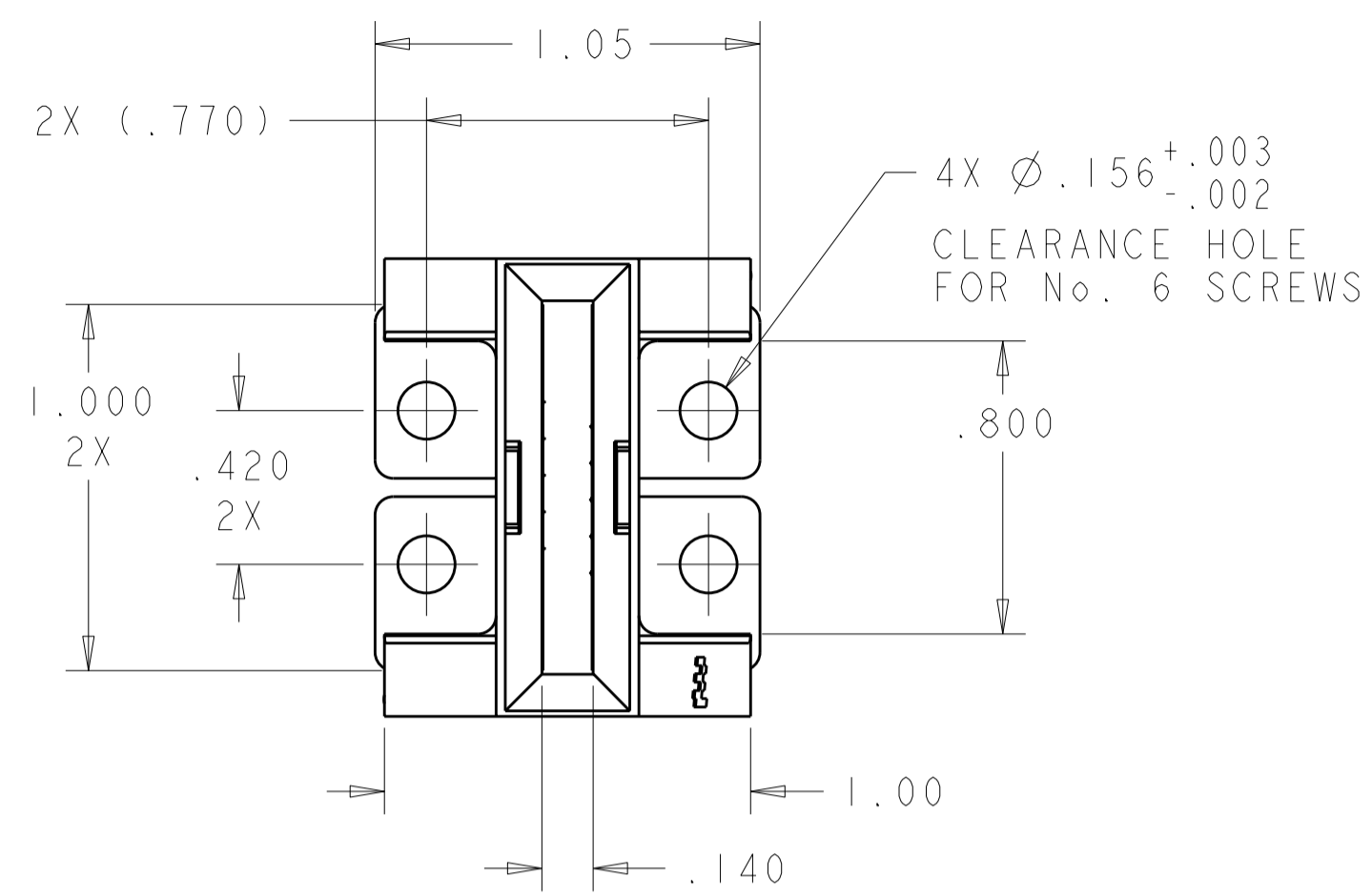
Email & Skype: info@chipsmall.com Web: www.chipsmall.com

Address: A1208, Overseas Decoration Building, #122 Zhenhua RD., Futian, Shenzhen, China



THIS DRAWING IS UNPUBLISHED. RELEASED FOR PUBLICATION 20
 © COPYRIGHT 20 BY TYCO ELECTRONICS CORPORATION. ALL RIGHTS RESERVED.

LOC		DIST		REVISIONS			
P	LTR	DESCRIPTION	DATE	DWN	APVD		
GP	00	A	RELEASED	24FEB2009	RG	PD	
		B	REV PER ECO-09-008703	16APR2009	RG	DO	



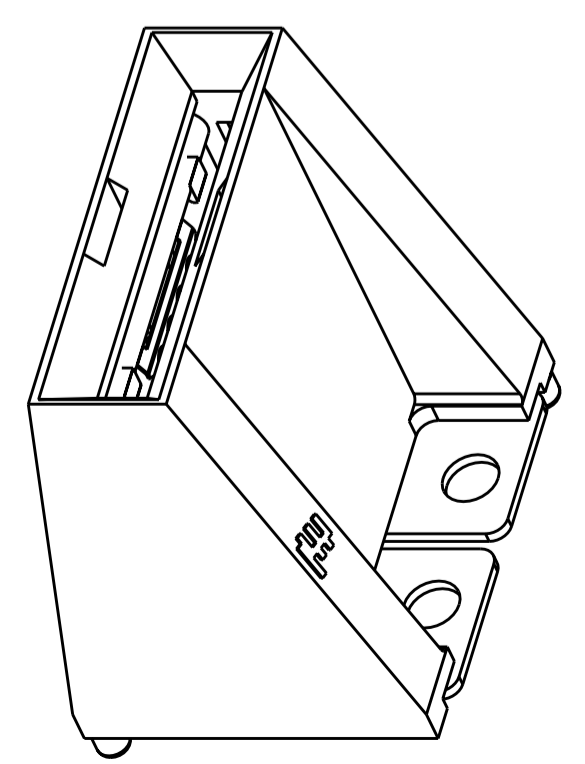
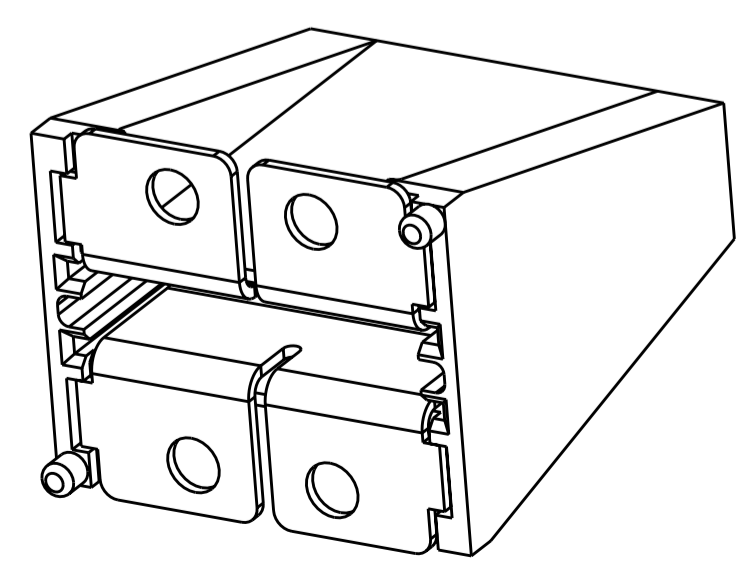
1. PART NUMBER CHANGES AND OR DESIGN CHANGES AFFECTING ITEM INTERCHANGEABILITY REQUIRE PRIOR TYCO ELECTRONICS APPROVAL AND AUTHORIZATION BY REVISION TO THIS DRAWING.

2. MATERIAL:
 INSULATOR - THERMOPLASTIC, GLASS REINFORCED, COLOR: BLACK, UL 94V-0 FLAMMABILITY RATED.
 CROWN HOLDER - COPPER ALLOY
 CROWN BAND - COPPER ALLOY

3. FINISH:
 CROWN BAND - GOLD PLATE .000030 MIN THK OVER NICKEL .000050 MIN THK.
 CROWN BAND HOLDER - GOLD FLASH .000010 MIN THK. NICKEL .000050 MIN THK.

4. ITEMS PROVIDED TO THIS SPECIFICATION TO BE PERMANENTLY PERMANENTLY IDENTIFIED ON THE CONTAINER PER THE FOLLOWING IDENTIFIER LABEL:

TYCO ELECTRONICS P/N DATE CODE (e.g. 0106)
 YEAR WEEK
 XXXXXXXX-X XXXX

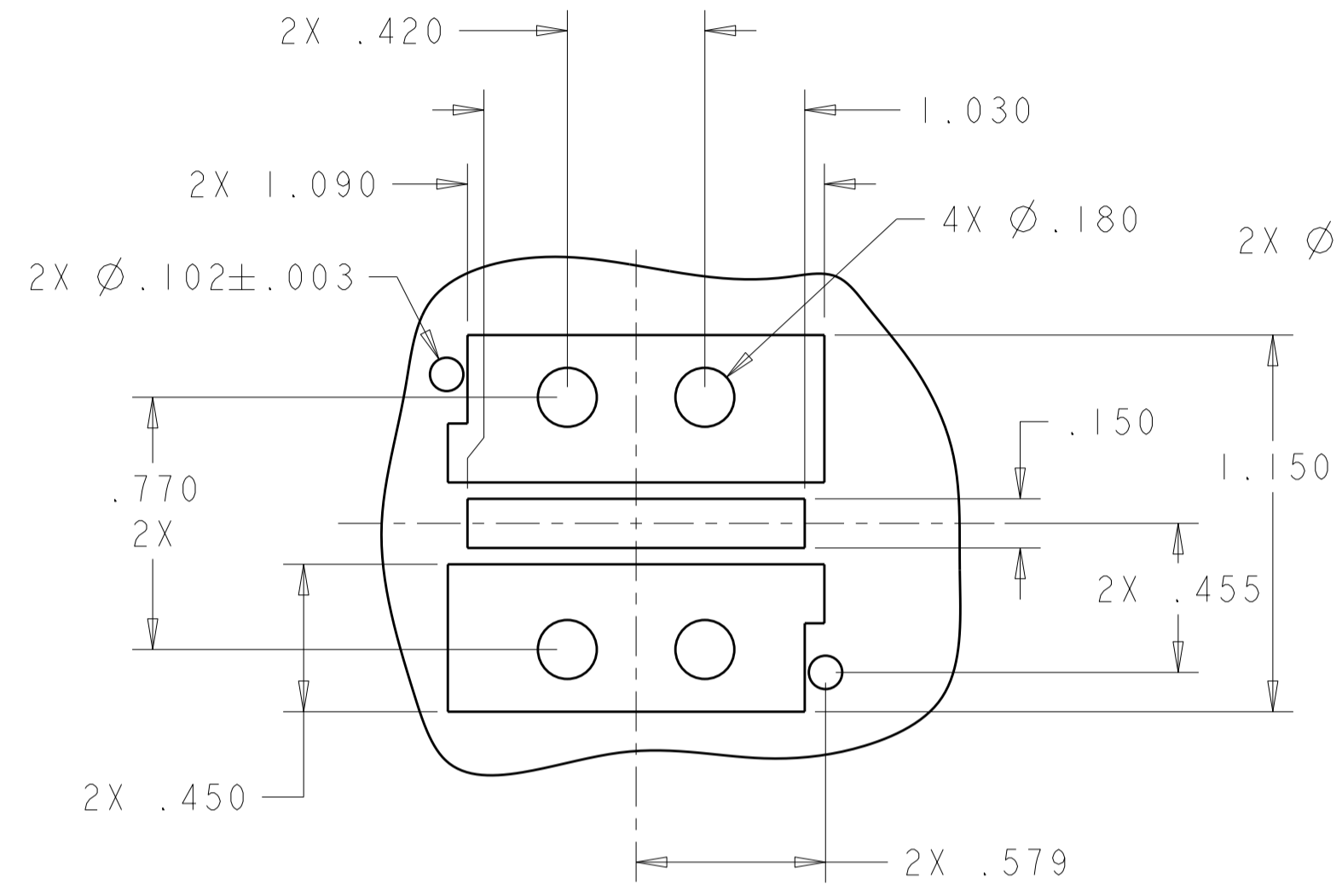


THIS DRAWING IS A CONTROLLED DOCUMENT FOR TYCO ELECTRONICS CORPORATION. IT IS SUBJECT TO CHANGE AND THE CONTROLLING ENGINEERING ORGANIZATION SHOULD BE CONTACTED FOR THE LATEST REVISION.		DWN	R. GRZYBOWSKI	28 JAN 2008
DIMENSIONS: INCHES		CHK	S. FLICKINGER	28 JAN 2008
TOLERANCES UNLESS OTHERWISE SPECIFIED:		APVD	S. FLICKINGER	28 JAN 2008
0 PLC	±	PRODUCT SPEC		
1 PLC	±	APPLICATION SPEC		
2 PLC	±.01	WEIGHT		
3 PLC	±.010	CUSTOMER DRAWING		
4 PLC	±	SCALE 2:1		
ANGLES	±2	SHEET 1 OF 2		
FINISH	3	REV B		

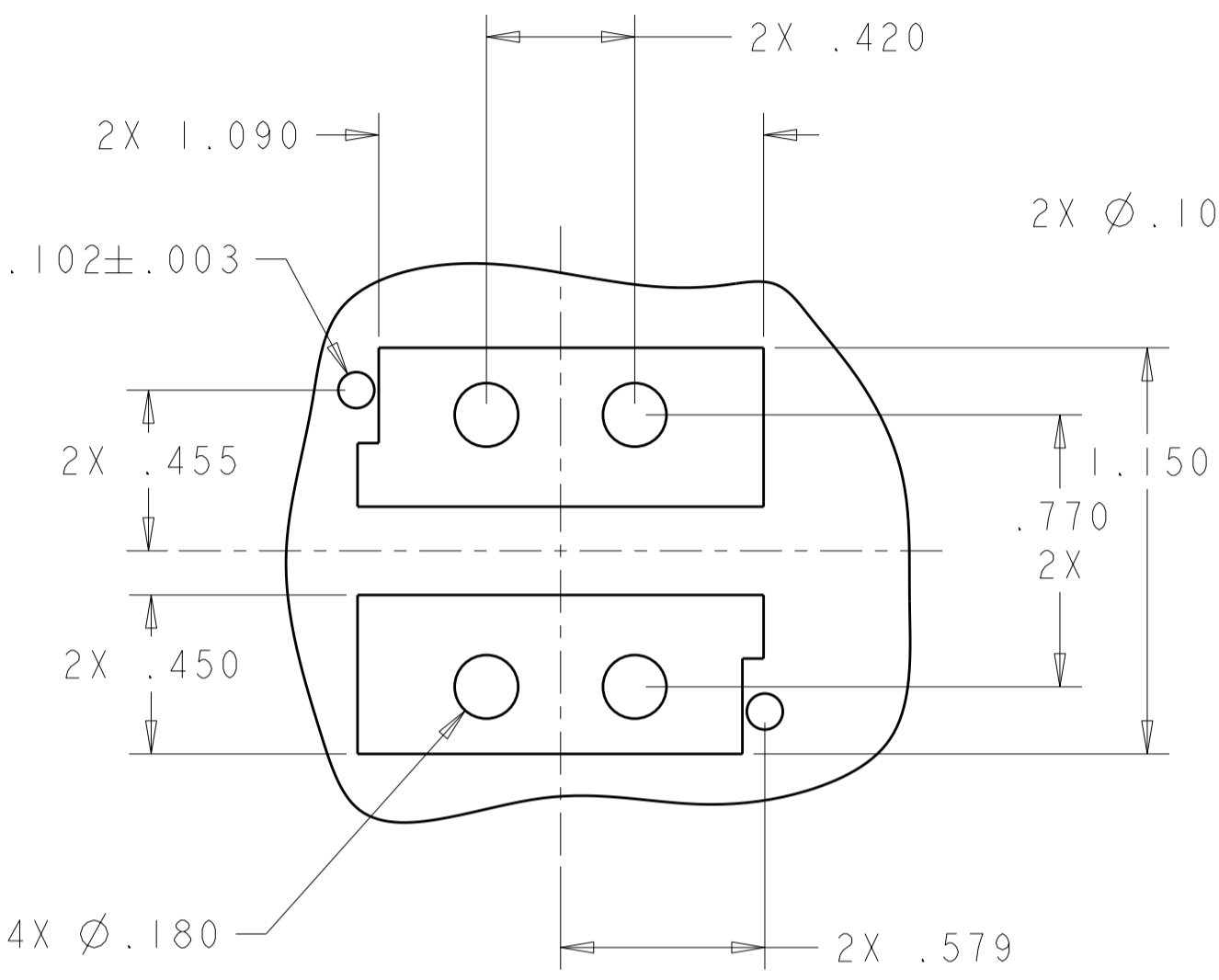
AS SHOWN	1926671-1
DESCRIPTION	PART NO.
Tyco Electronics Harrisburg, PA 17105-3608	
NAME: DUAL CROWN CLIP No. 6 MOUNTING CLIP WITH LOCATOR	
SIZE	CAGE CODE
A2	00779
DRAWING NO	RESTRICTED TO
C-1926671	-

THIS DRAWING IS UNPUBLISHED. RELEASED FOR PUBLICATION 20
 © COPYRIGHT 20 BY TYCO ELECTRONICS CORPORATION. ALL RIGHTS RESERVED.

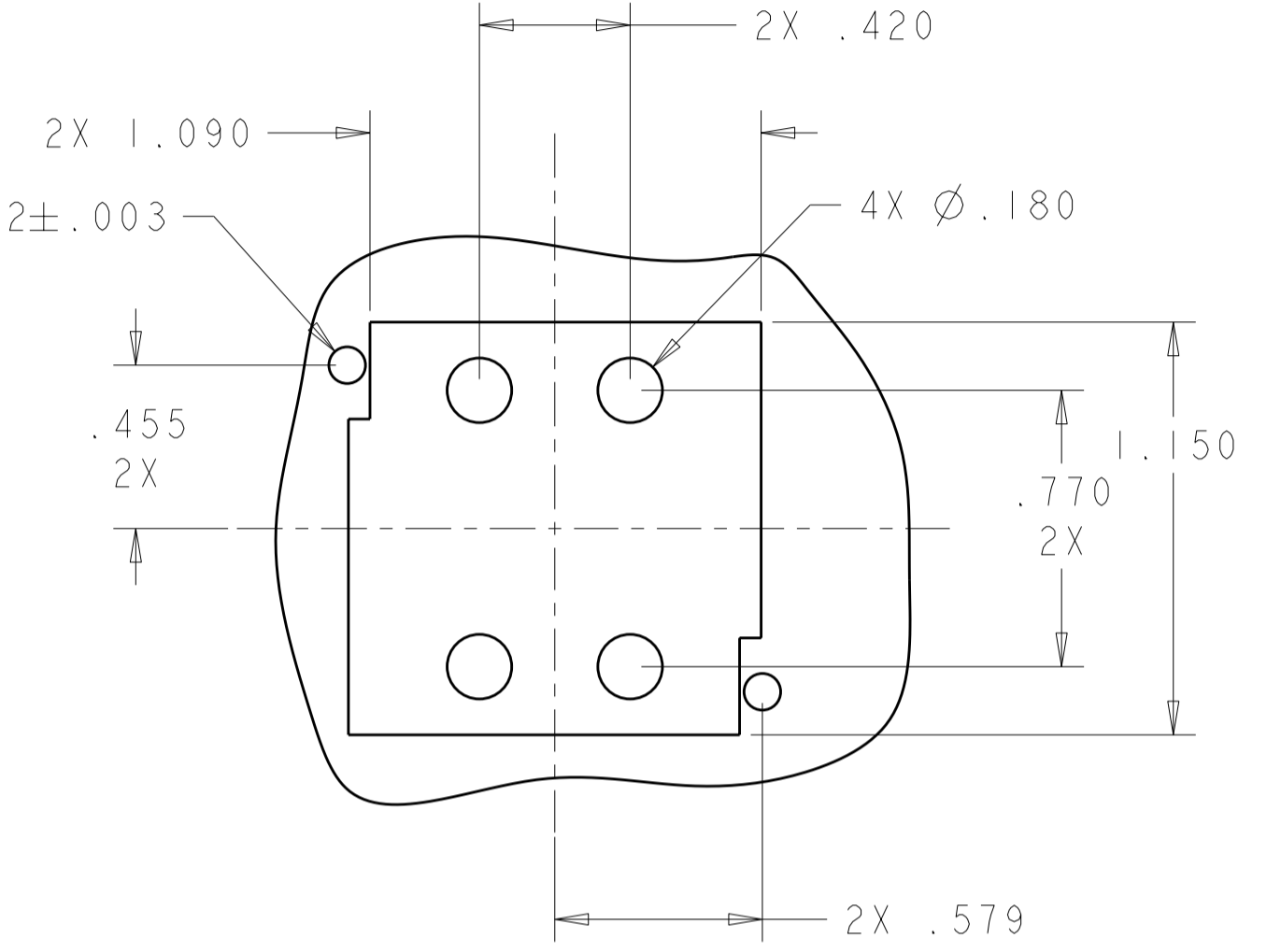
LOC	DIST	REVISIONS				
P	LTR	DESCRIPTION	DATE	DWN	APVD	
GP	00	-	SEE SHEET 1	-	-	



BOTTOM FEED THRU

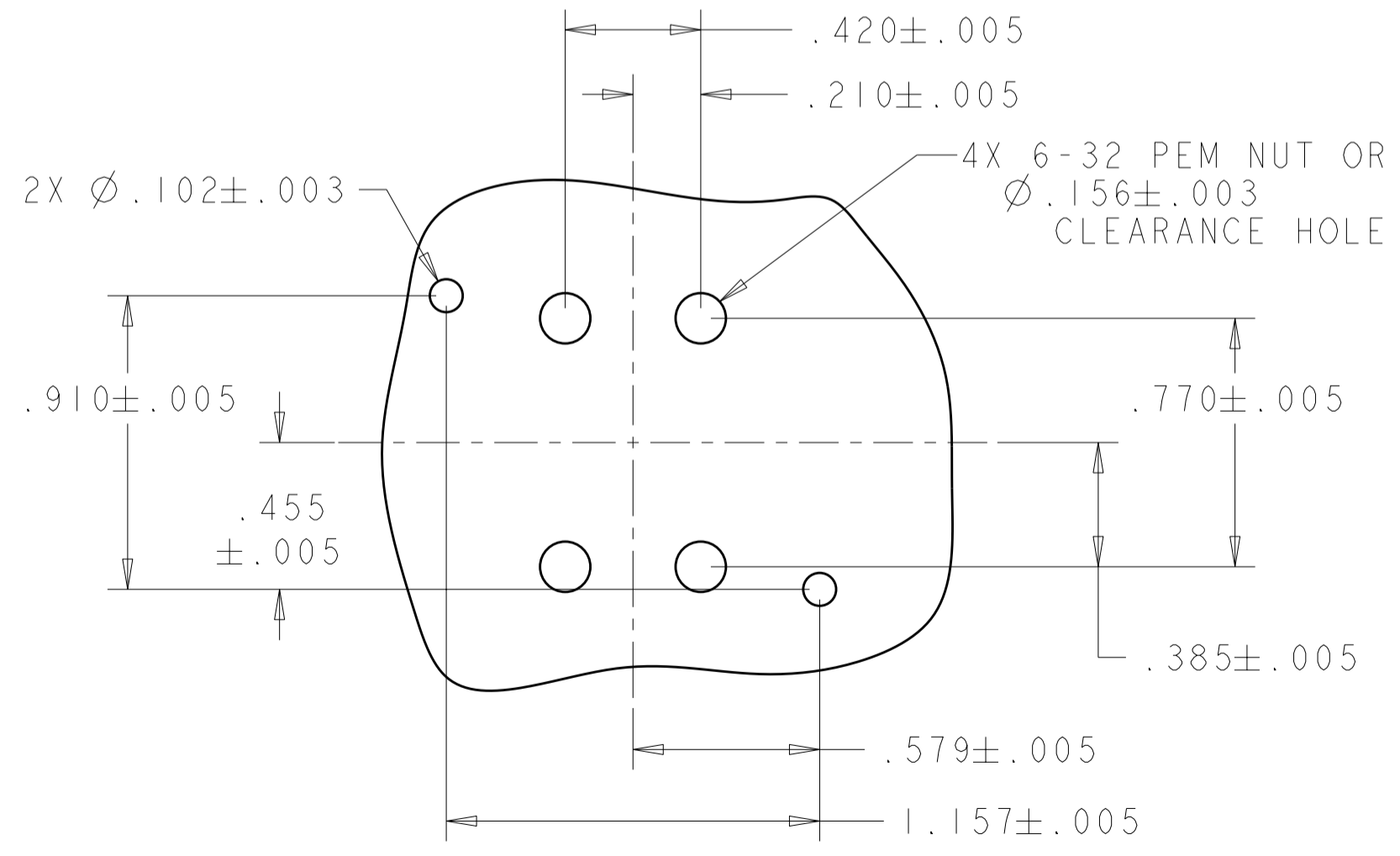


SINGLE POLE



DOUBLE POLE

PRINTED CIRCUIT BOARD LAYOUT
 COMPONENT SIDE



BUSBAR LAYOUT DOUBLE POLE

<small>THIS DRAWING IS A CONTROLLED DOCUMENT FOR TYCO ELECTRONICS CORPORATION. IT IS SUBJECT TO CHANGE AND THE CONTROLLING ENGINEERING ORGANIZATION SHOULD BE CONTACTED FOR THE LATEST REVISION.</small>		DWN 28 JAN 2008 R. GRZYBOWSKI CHK 28 JAN 2008 S. FLICKINGER APVD 28 JAN 2008 S. FLICKINGER	Tyco Electronics Harrisburg, PA 17105-3608
DIMENSIONS: INCHES	TOLERANCES UNLESS OTHERWISE SPECIFIED: 0 PLC ± 1 PLC ± 2 PLC ±.01 3 PLC ±.010 4 PLC ± ANGLES ±2 FINISH	PRODUCT SPEC APPLICATION SPEC WEIGHT CUSTOMER DRAWING	NAME DUAL CROWN CLIP No. 6 MOUNTING CLIP WITH LOCATOR SIZE CAGE CODE DRAWING NO RESTRICTED TO A200779 C-1926671 -
		SCALE 2:1	SHEET 2 OF 2 REV B