



Chipsmall Limited consists of a professional team with an average of over 10 year of expertise in the distribution of electronic components. Based in Hongkong, we have already established firm and mutual-benefit business relationships with customers from,Europe,America and south Asia,supplying obsolete and hard-to-find components to meet their specific needs.

With the principle of "Quality Parts,Customers Priority,Honest Operation,and Considerate Service",our business mainly focus on the distribution of electronic components. Line cards we deal with include Microchip,ALPS,ROHM,Xilinx,Pulse,ON,Everlight and Freescale. Main products comprise IC,Modules,Potentiometer,IC Socket,Relay,Connector.Our parts cover such applications as commercial,industrial, and automotives areas.

We are looking forward to setting up business relationship with you and hope to provide you with the best service and solution. Let us make a better world for our industry!



## Contact us

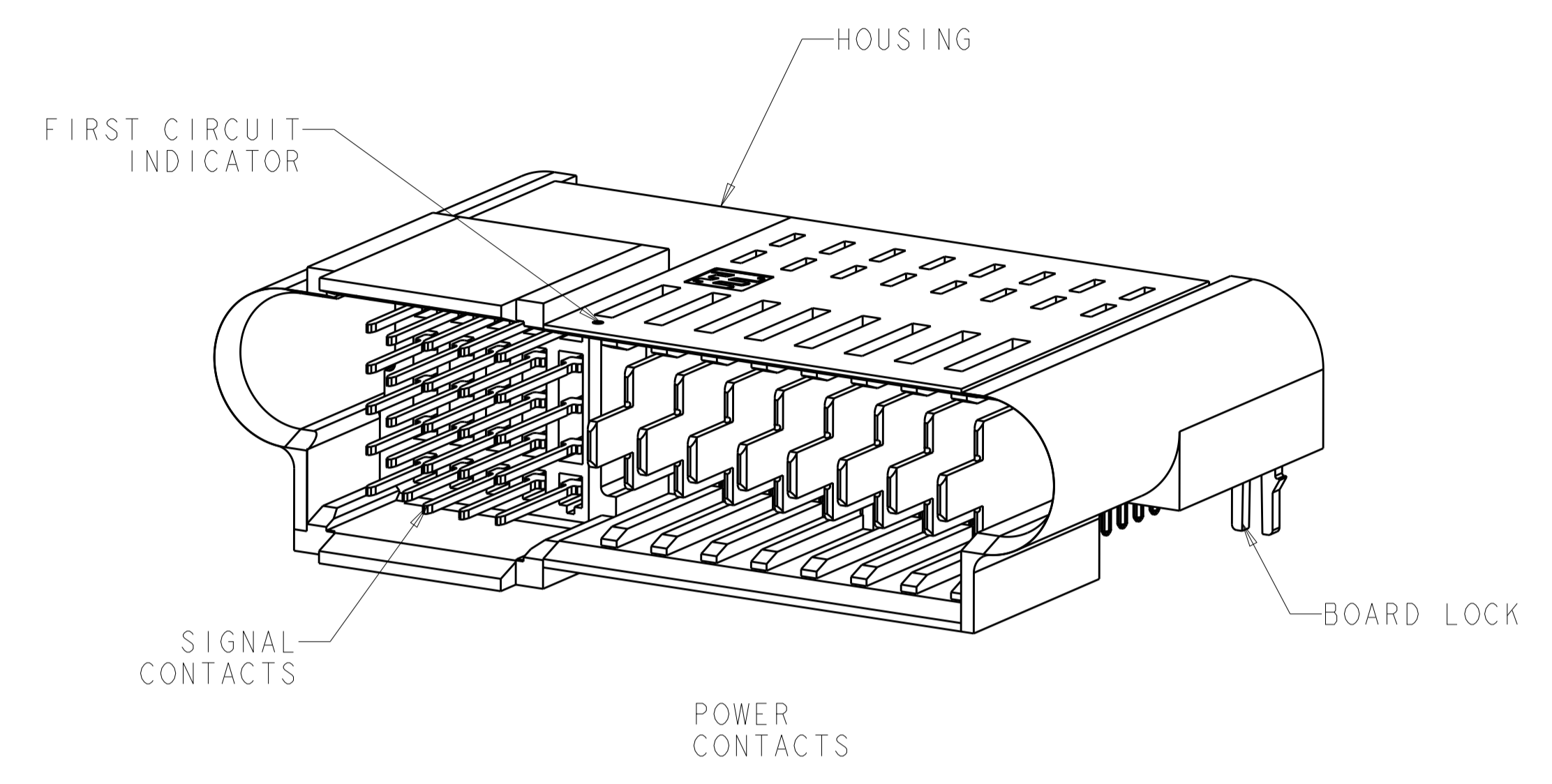
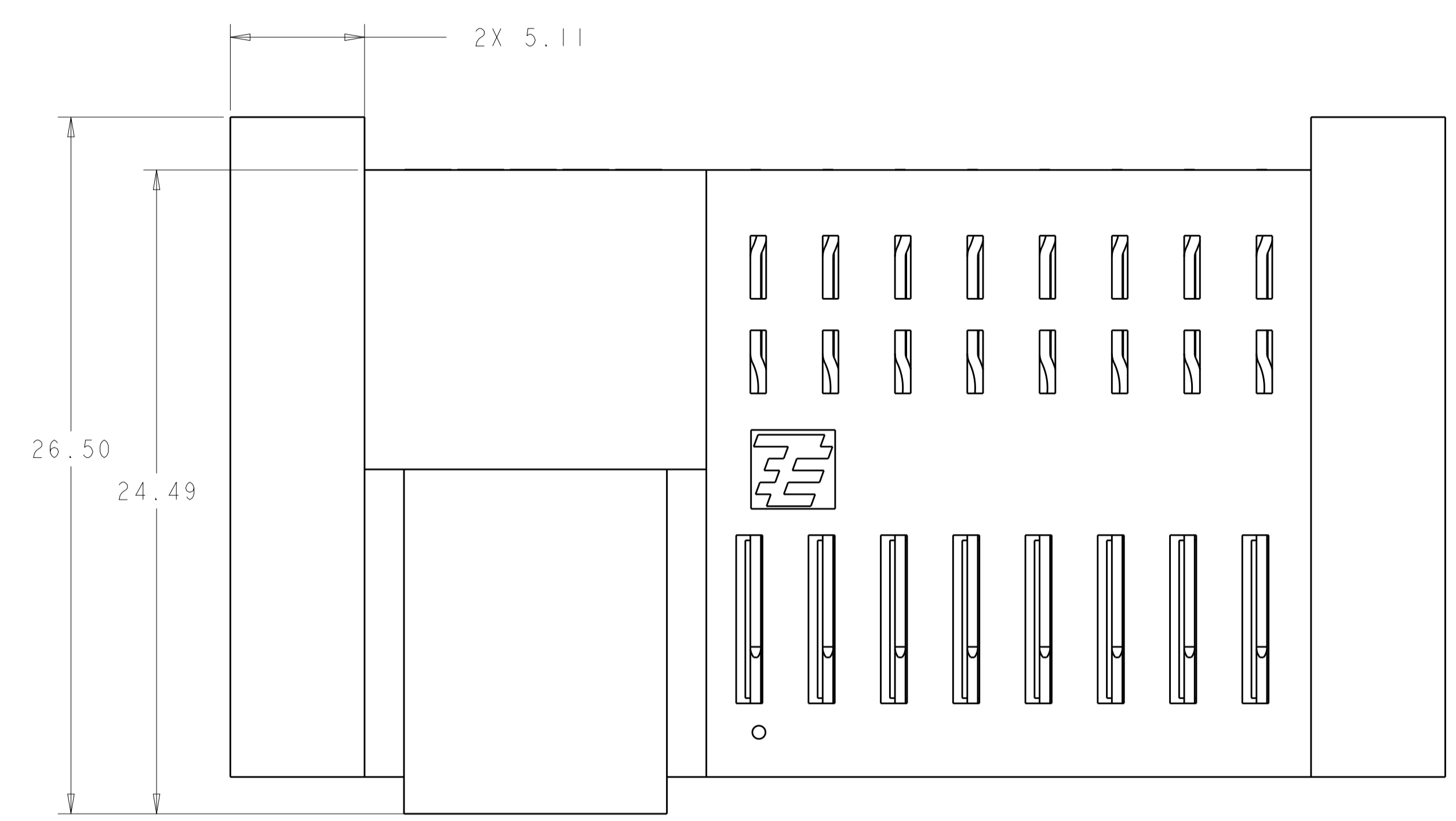
Tel: +86-755-8981 8866 Fax: +86-755-8427 6832

Email & Skype: info@chipsmall.com Web: www.chipsmall.com

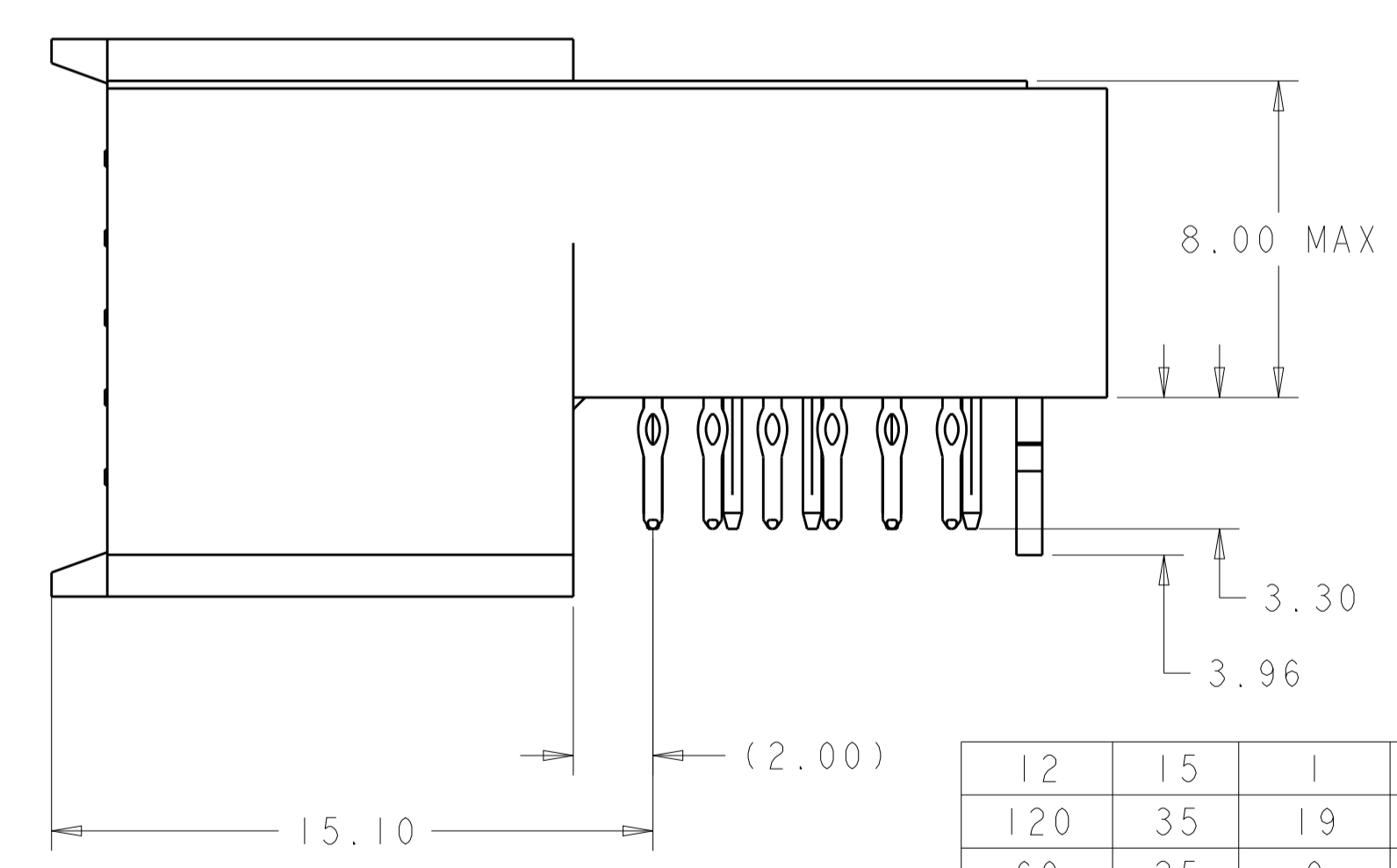
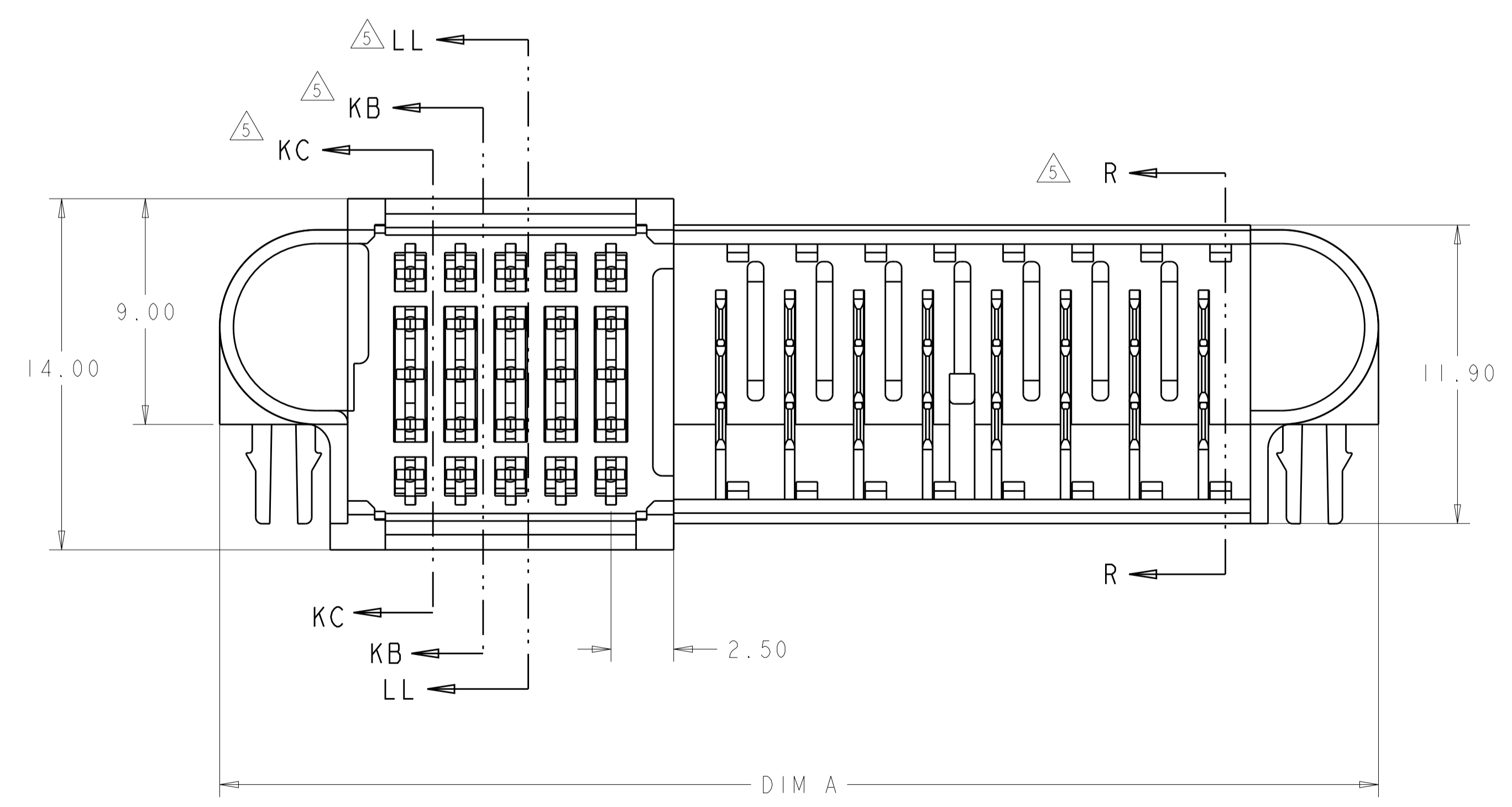
Address: A1208, Overseas Decoration Building, #122 Zhenhua RD., Futian, Shenzhen, China



LOC		DIST		REVISIONS			
P	LTN	DESCRIPTION	DATE	DWN	APVD		
F7		ADD NEW PART -5	18NOV2013	OL	SZ		
F8		ECR-15-001425	26JAN2015	SZ	SZ		



ISOMETRIC FRONT VIEW



"F" QTY.	"E" QTY.	"D" SPACES	"C" SPACES	DIM "B"	DIM "A"	NO. OF POSITIONS	PART NUMBER
12	15	1	2	20.60	25.71	15S X 2P	1926734-6
120	35	19	6	78.10	83.21	35S X 20P	1926734-5
60	25	9	4	46.60	51.71	25S X 10P	1926734-4
108	35	17	6	72.60	77.71	35S X 18P	1926734-3
60	25	9	4	46.60	51.71	25S X 10P	1926734-2
48	25	7	4	41.10	46.21	25S X 8P	1926734-1

THIS DRAWING IS A CONTROLLED DOCUMENT. DWN: G. PETERS 03JUN2008  
 CHK: N. REESER 06JUN2008  
 APVD: N. REESER 06JUN2008

**STE** TE Connectivity

NAME: ASSEMBLY, RIGHT ANGLE, PLUG, SIGNAL/POWER, PASSIVE GUIDE

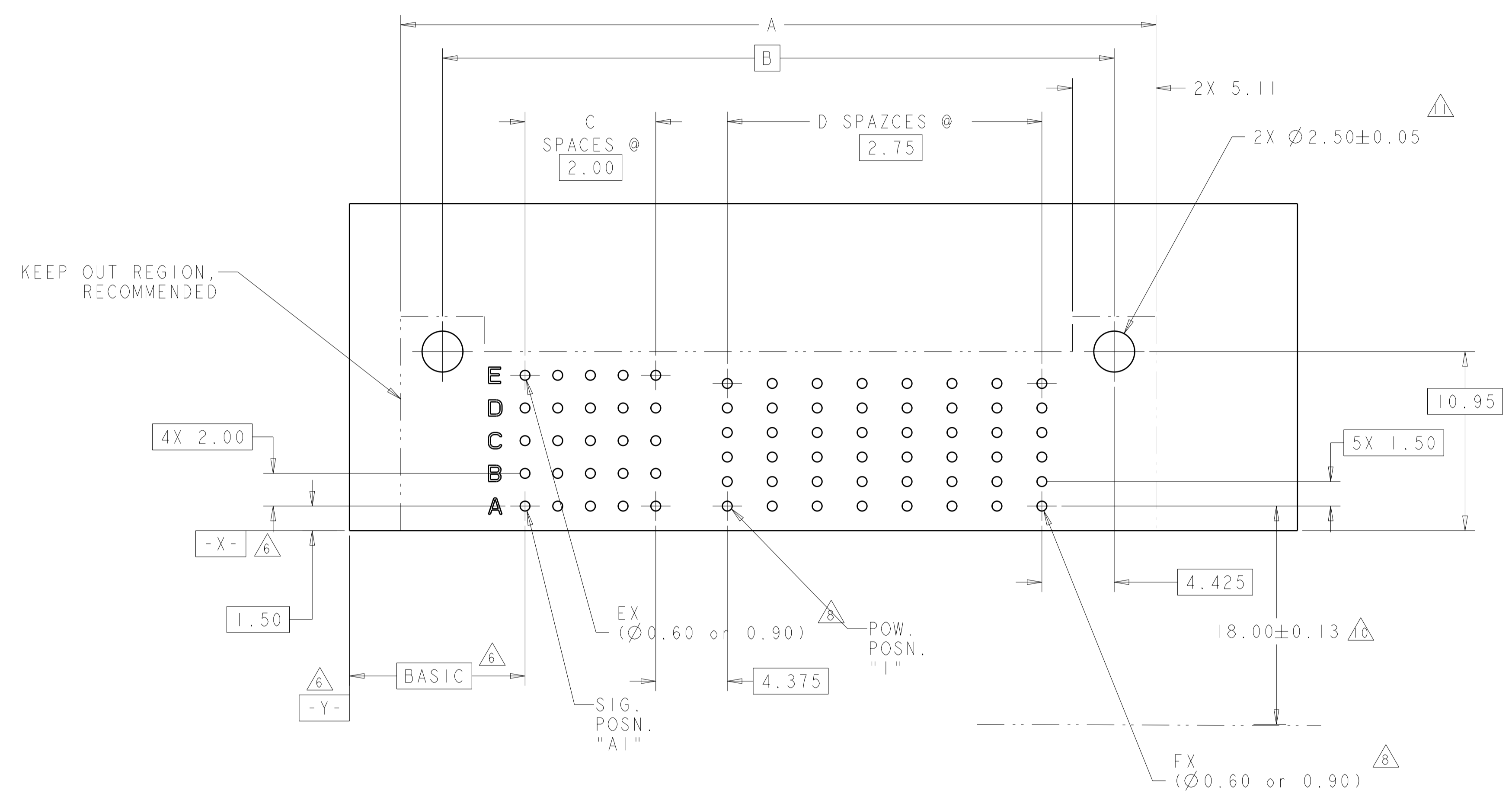
SIZE: A1 CAGE CODE: 1926734 DRAWING NO: 1926734

MATERIAL: FINISH: WEIGHT: SCALE: 1:1 SHEET 1 OF 5 REV: F8

LOC	DIST	REV	DATE	BY	APPV
GP	00				

REVISIONS					
REV	DATE	BY	APPV	DESCRIPTION	DATE
-	-	-	-	SEE SHEET 1	-



RECOMMENDED PRINTED CIRCUIT BOARD LAYOUT <sup>7</sup>  
 (AS VIEWED FROM COMPONENT SIDE)

- <sup>1</sup> HOUSING: GLASS FILLED LIQUID CRYSTAL POLYMER, COLOR: BLACK, UL 94V-0 RATED.  
 SIGNAL CONTACT: PHOSPHOR BRONZE.  
 SIGNAL OVERMOLD: GLASS FILLED POLYESTER.  
 POWER CONTACT: COPPER ALLOY.  
 BOARDLOCK: PHOSPHOR BRONZE.
- <sup>2</sup> SIGNAL CONTACT: 0.00127mm MIN NICKEL ALL OVER,  
 MATING AREA: 0.00076mm MIN GOLD OR 0.00008mm MIN GOLD OVER  
 0.00076mm MIN PALLADIUM-NICKEL  
 TAIL AREA: 0.0005mm MIN MATTE TIN.  
 POWER CONTACT: 0.00127mm MIN NICKEL ALL OVER,  
 MATING AREA: 0.00076mm MIN GOLD OR  
 0.00008mm MIN GOLD OVER 0.00076mm MIN PALLADIUM-NICKEL,  
 TAIL AREA: 0.0005mm MIN MATTE TIN.  
 BOARDLOCK: 0.00076mm MIN MATTE TIN OVER  
 0.00127mm MIN NICKEL.
- 3 CONTACT MATING AREA LUBRICATED WITH BELLCORE APPROVED LUBRICANT,  
 TECHNICAL REFERENCE: GR-1217-CORE, ISSUE 1, NOVEMBER 1995.
- 4 CONNECTOR ASSEMBLY MARKED WITH PART NUMBER AND DATE CODE.
- <sup>5</sup> CUSTOMER TO SPECIFY LOAD PATTERN, USE WORKSHEET ON SHEET 3,  
 FOR EXISTING PART NUMBERS ALREADY LOADED SEE SHEET 4.  
 LOAD PATTERNS SHOWN ON SHEETS 1 & 3 ILLUSTRATES CHOICES,  
 DOES NOT MATCH ANY DASH PART NUMBERS.
- <sup>6</sup> DATUMS AND BASIC DIMENSIONS TO BE ESTABLISHED BY CUSTOMER.
- <sup>7</sup> PC BOARD THICKNESS 1.4mm MIN.  
 FOR WAVE SOLDER PC BOARD THICKNESS 2.62mm MAX.
- <sup>8</sup> FOR WAVE SOLDER: FINISHED HOLE DIAMETER: 0.90 +/- 0.05mm  
 FOR PRESS FIT: DRILL HOLE DIAMETER: 0.70 +/- 0.02mm  
 FINISHED HOLE DIAMETER: 0.61mm REF  
 PAD DIAMETER: 0.90 +/- 0.05mm  
 Cu PLATING THICKNESS: 0.025-0.050mm  
 WITH A SURFACE FINISH AND THICKNESS OF EITHER:  
 HASL SnPb: 0.004-0.015mm  
 IMMERSION Sn: 0.0005mm MIN.  
 OSP: 0.0002-0.0005mm  
 IMMERSION Ag: 0.0001mm MIN.  
 IMMERSION Au/Ni: 0.0001-0.0005mm Au, 0.004-0.0076mm Ni
- 9 SEE CUSTOMER DRAWING 1926733 FOR MATING RECEPTACLE CONNECTOR.
- <sup>10</sup> DIMENSION IS TO FIRST ROW OF PLATED THRU HOLES ON RECEPTACLE PCB.
- <sup>11</sup> UNPLATED HOLES
- 12. THIS CONNECTOR EMPLOYS UL RECOGNIZED Z-PACK 2mm HM CONNECTOR AT SIGNALS

THIS DRAWING IS A CONTROLLED DOCUMENT.		OWN G. PETERS 03JUN2008	TE Connectivity
DIMENSIONS:		CHK N. BEESER 06JUN2008	
mm	TOLERANCES UNLESS OTHERWISE SPECIFIED:	APPV N. BEESER 06JUN2008	NAME ASSEMBLY, RIGHT ANGLE, PLUG, SIGNAL/POWER, PASSIVE GUIDE,
0 PLC ±.2 1 PLC ±.25 2 PLC ±.25 3 PLC ±.25 4 PLC ±.25 ANGLES ±.2	MATERIAL FINISH	PRODUCT SPEC APPLICATION SPEC WEIGHT SCALE Customer Drawing	SIZE CAGE CODE DRAWING NO A100779C=1926734
		RESTRICTED TO	SHEET 2 OF 5 REV F8





LOC	DIST	REVISIONS			
P	LTN	DESCRIPTION	DATE	DMN	APVD
GP	00	SEE SHEET 1			

PART NUMBER	ROWS	SIGNALS					POWERS											
		1	2	3	4	5	1	2	3	4	5	6	7	8				
1926734-1	A																	
	B	2	2				3	3	3	3	2	2	2	2				
	C	2	2	12222	2	2	3	3	3	3	2	2	2	2				
	D	2	2				3	3	3	3	2	2	2	2				
	E	2	2				3	3	3	3	2	2	2	2				
25S X 8P																		

PART NUMBER	ROWS	SIGNALS					POWERS											
		1	2	3	4	5	1	2	3	4	5	6	7	8	9	10		
1926734-2	A																	
	B	2	2				2	2	2	2	2	2	2	2	2	2	2	2
	C	2	2				2	2	2	2	2	2	2	2	2	2	2	2
	D	2	2				2	2	2	2	2	2	2	2	2	2	2	2
	E	2	2				2	2	2	2	2	2	2	2	2	2	2	2
25S X 10P																		

PART NUMBER	ROWS	SIGNALS							POWERS																		
		1	2	3	4	5	6	7	1	2	3	4	5	6	7	8	9	10	11	12	13	14	15	16	17	18	
1926734-3	A																										
	B	1	1	1	1	1	1	1	2	2	2	3	3	3	3	3	3	3	2	2	2	2	2	2	2	2	2
	C	1	1	1	1	1	1	1	2	2	2	3	3	3	3	3	3	3	2	2	2	2	2	2	2	2	2
	D	1	1	1	1	1	1	1	2	2	2	3	3	3	3	3	3	3	2	2	2	2	2	2	2	2	2
	E	1	1	1	1	1	1	1	2	2	2	3	3	3	3	3	3	3	2	2	2	2	2	2	2	2	2
35S X 18P																											

PART NUMBER	ROWS	SIGNALS					POWERS										
		1	2	3	4	5	1	2	3	4	5	6	7	8	9	10	
1926734-4	A																
	B	2	2	1	2	2	2	2	2	2	2	2	2	2	2	2	
	C	2	2	1	2	2	2	2	2	2	2	2	2	2	2	2	
	D	2	2	1	2	2	2	2	2	2	2	2	2	2	2	2	
	E	2	2	1	2	2	2	2	2	2	2	2	2	2	2	2	
25S X 10P																	


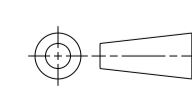
VIEWED FROM MATING FACE

THIS DRAWING IS A CONTROLLED DOCUMENT.		DMN: G. PETERS 03JUN2008	TE Connectivity
DIMENSIONS: mm		CHK: N. REESER 06JUN2008	
TOLERANCES UNLESS OTHERWISE SPECIFIED:		APVD: N. REESER 06JUN2008	NAME: ASSEMBLY, RIGHT ANGLE, PLUG, SIGNAL/POWER, PASSIVE GUIDE,
0 PLC ±.1		PRODUCT SPEC	SIZE: A100779
1 PLC ±.2		APPLICATION SPEC	CAGE CODE: C=1926734
2 PLC ±.25		WEIGHT	RESTRICTED TO
3 PLC ±.3		Customer Drawing	SCALE: 1:1
4 PLC ±.4			SHEET 4 OF 5
ANGLES ±.2			REV: F8

LOC	DIST	REVISIONS			
P	LTN	DESCRIPTION	DATE	DMN	APVD
GP	00	SEE SHEET 1			

PART NUMBER	ROWS	SIGNAL	POWER																									
			1	2	3	4	5	6	7	1	2	3	4	5	6	7	8	9	10	11	12	13	14	15	16	17	18	19
1926734-5	A B C D E	1 1 1 1 1 1 1	2	2	2	3	3	3	3	3	3	3	3	3	2	2	2	2	2	2	2	2	2	2	2	2	2	2
35S X 20P																												

PART NUMBER	ROWS	SIGNAL	POWER	
			1	2
1926734-6	A B C D E	2 1 1 2 2		
15S X 2P				

THIS DRAWING IS A CONTROLLED DOCUMENT.		DMN G. PETERS 03JUN2008	 TE Connectivity
DIMENSIONS:		CHK N. REESER 06JUN2008	
mm 		APVD N. REESER 06JUN2008	
TOLERANCES UNLESS OTHERWISE SPECIFIED: 0 PLC ±. 1 PLC ±.2 2 PLC ±.25 3 PLC ±. 4 PLC ±. ANGLES ±.2		NAME ASSEMBLY, RIGHT ANGLE, PLUG, SIGNAL/POWER, PASSIVE GUIDE. PRODUCT SPEC APPLICATION SPEC SIZE CAGE CODE DRAWING NO WEIGHT RESTRICTED TO	
MATERIAL		Customer Drawing	A100779C=1926734 SCALE 1:1 SHEET 5 OF 5 REV F8