



Chipsmall Limited consists of a professional team with an average of over 10 year of expertise in the distribution of electronic components. Based in Hongkong, we have already established firm and mutual-benefit business relationships with customers from,Europe,America and south Asia,supplying obsolete and hard-to-find components to meet their specific needs.

With the principle of “Quality Parts,Customers Priority,Honest Operation,and Considerate Service”,our business mainly focus on the distribution of electronic components. Line cards we deal with include Microchip,ALPS,ROHM,Xilinx,Pulse,ON,Everlight and Freescale. Main products comprise IC,Modules,Potentiometer,IC Socket,Relay,Connector.Our parts cover such applications as commercial,industrial, and automotives areas.

We are looking forward to setting up business relationship with you and hope to provide you with the best service and solution. Let us make a better world for our industry!



Contact us

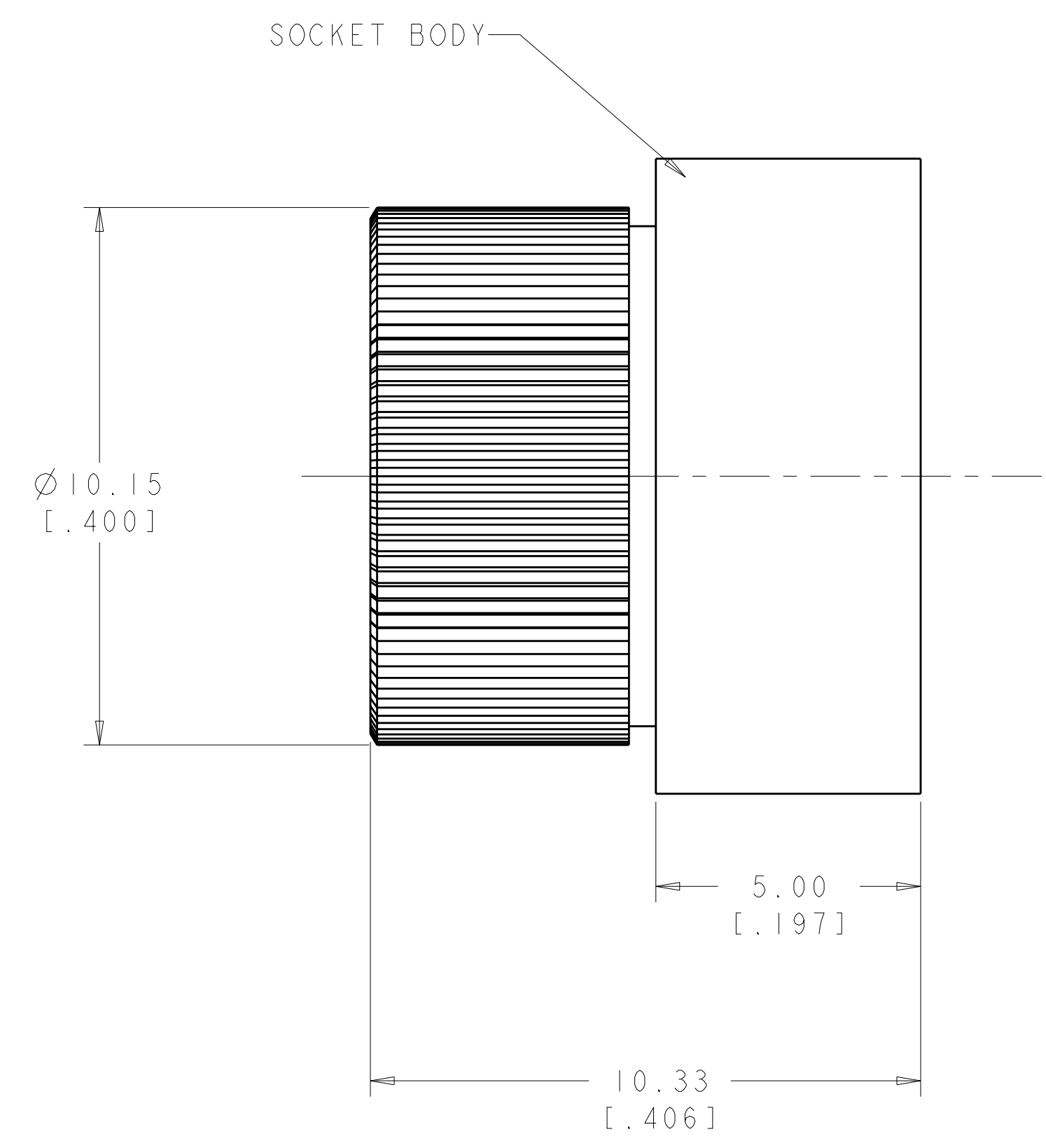
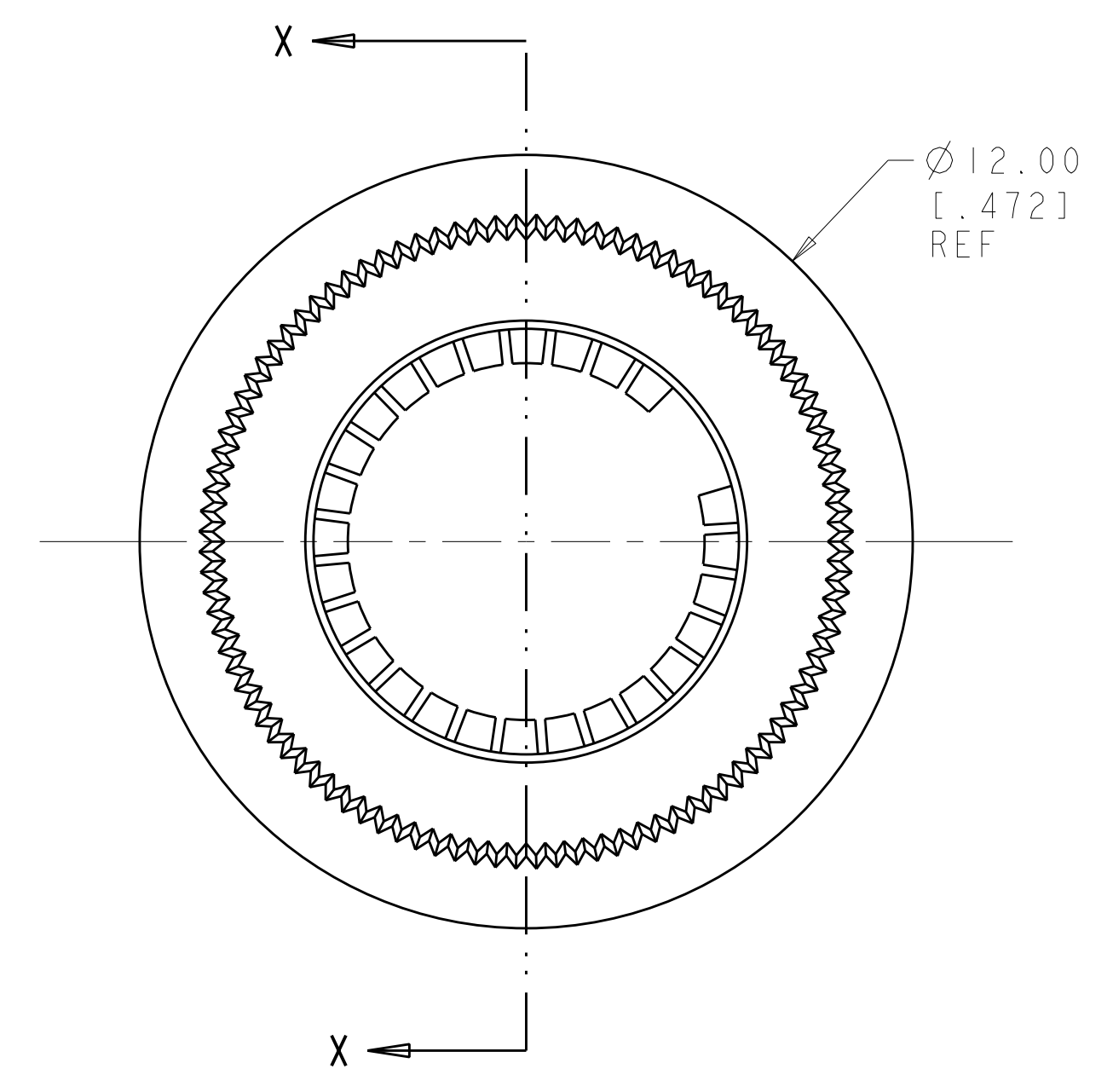
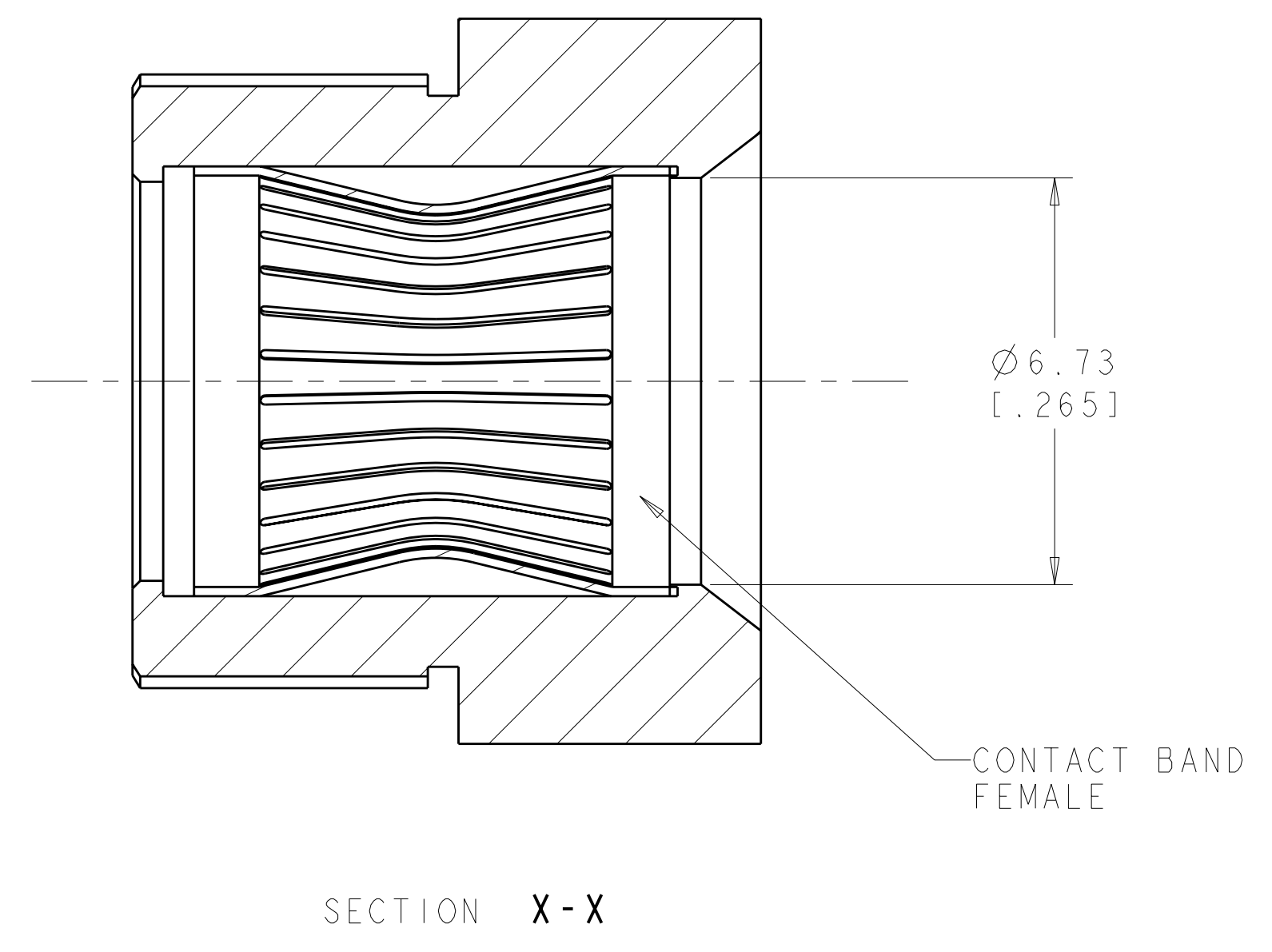
Tel: +86-755-8981 8866 Fax: +86-755-8427 6832

Email & Skype: info@chipsmall.com Web: www.chipsmall.com

Address: A1208, Overseas Decoration Building, #122 Zhenhua RD., Futian, Shenzhen, China



LOC	DIST	REVISIONS			
GP	00	REV	DATE	DWN	APVD
		1	PROPOSED DESIGN	12DEC2007	WVS GRD



- PART NUMBER CHANGES AND/OR DESIGN CHANGES AFFECTING ITEM INTERCHANGEABILITY REQUIRES PRIOR TYCO ELECTRONICS APPROVAL AND AUTHORIZATION BY REVISION TO THIS DRAWING.
- ITEMS PROVIDED TO THIS SPECIFICATION SHALL BE IDENTIFIED ON THE PACKAGE AS FOLLOWS: MANUFACTURER IDENTIFICATION PART NUMBER.
- RECOMENDED BUS BAR HOLE $\text{Ø}10.03 \pm 0.03$ [0.395 ± 0.001].
- MATES WITH A $\text{Ø}6.35$ [0.250] PIN.
- MATERIAL:
 SOCKET BODY - COPPER ALLOY
 CONTACT BAND - COPPER ALLOY
- FINISH:
 SOCKET BODY - SILVER PLATE OVER NICKEL PLATE OVER ALL.
 CONTACT BAND - GOLD PLATE IN CONTACT AREA OVER NICKEL PLATE OVER ALL.
- THIS PRODUCT HAS NOT COMPLETED QUALIFICATION TESTING.

AS SHOWN	1926757-1
DESCRIPTION	PART NO

THIS PRINT IS
PRELIMINARY
 UNQUALIFIED PRODUCT
 CONTACT PRODUCT ENGINEERING
 BEFORE USING THIS PRINT

DIMENSIONS: mm [INCHES]		TOLERANCES UNLESS OTHERWISE SPECIFIED:		DWN: WM VAN SCOOC 13NOV2007 CHK: G.R. DEFIBAUGH 13NOV2007 APVD: G.R. DEFIBAUGH 13NOV2007		tyco Tyco Electronics Harrisburg, PA 17105-3608	
0 PLC ± 1 PLC ± 2 PLC ±0.25 [1.010] 3 PLC ± 4 PLC ±	ANGLE ±2°	PRODUCT SPEC APPLICATION SPEC	MATERIAL: 5	FINISH: 6	WEIGHT: -	NAME: ASSEMBLY, #4 SOCKET, BUSBAR, LONG	SIZE: A 00779 C=1926757
CUSTOMER DRAWING						SCALE: 4:1	SHEET: 1 OF 1