



Chipsmall Limited consists of a professional team with an average of over 10 year of expertise in the distribution of electronic components. Based in Hongkong, we have already established firm and mutual-benefit business relationships with customers from,Europe,America and south Asia,supplying obsolete and hard-to-find components to meet their specific needs.

With the principle of “Quality Parts,Customers Priority,Honest Operation,and Considerate Service”,our business mainly focus on the distribution of electronic components. Line cards we deal with include Microchip,ALPS,ROHM,Xilinx,Pulse,ON,Everlight and Freescale. Main products comprise IC,Modules,Potentiometer,IC Socket,Relay,Connector.Our parts cover such applications as commercial,industrial, and automotives areas.

We are looking forward to setting up business relationship with you and hope to provide you with the best service and solution. Let us make a better world for our industry!



## Contact us

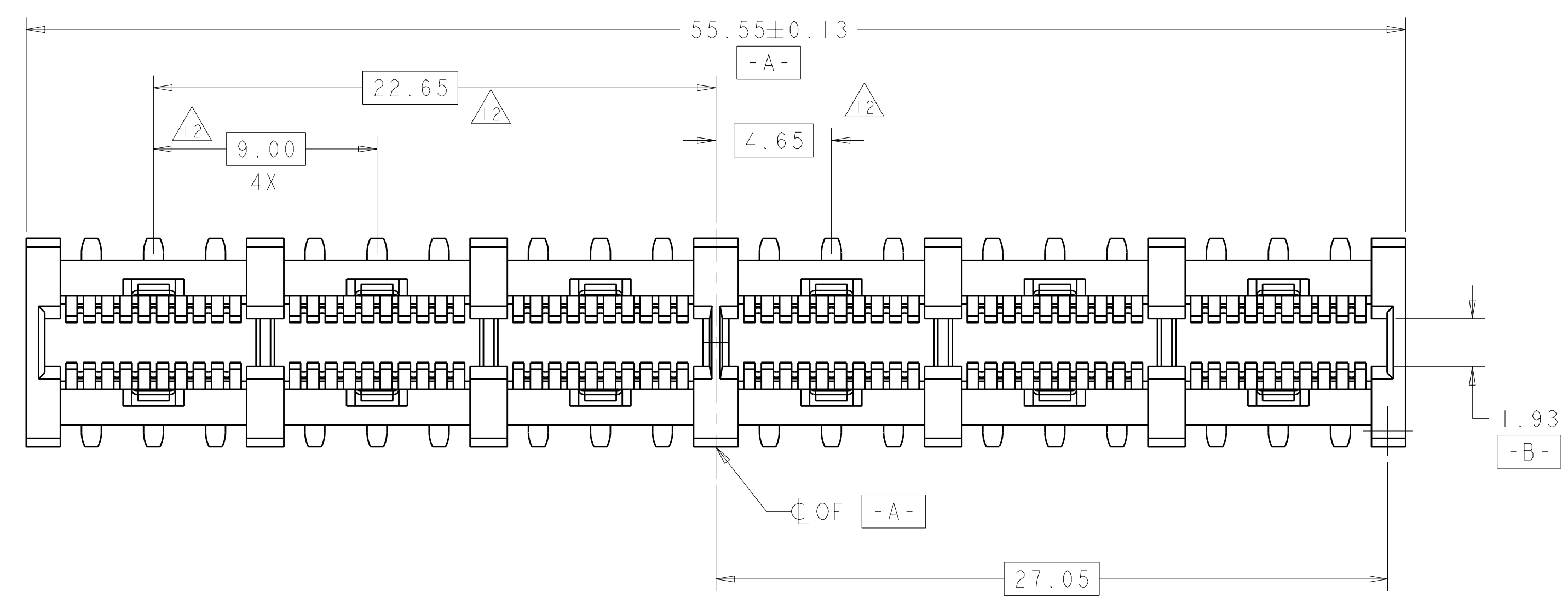
Tel: +86-755-8981 8866 Fax: +86-755-8427 6832

Email & Skype: info@chipsmall.com Web: www.chipsmall.com

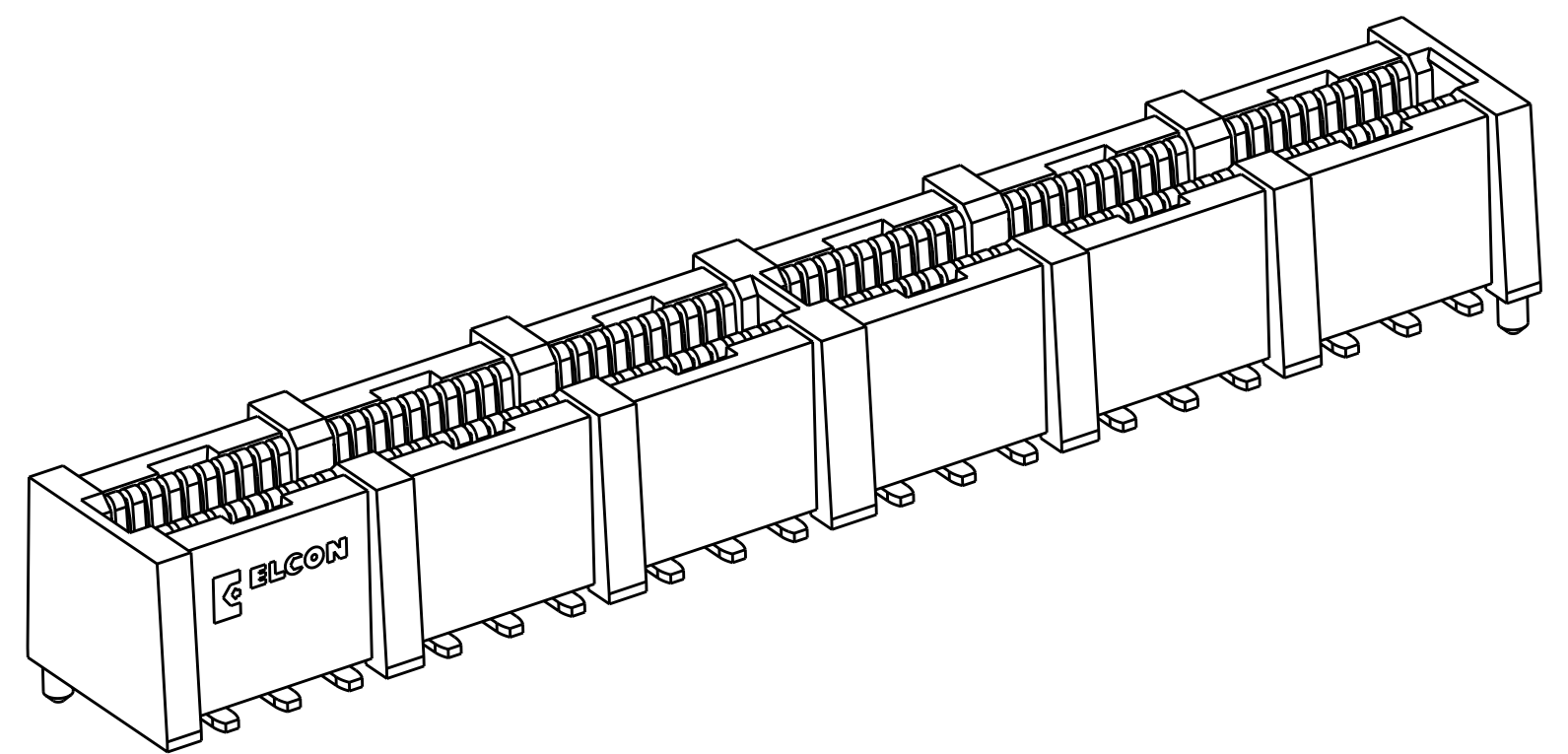
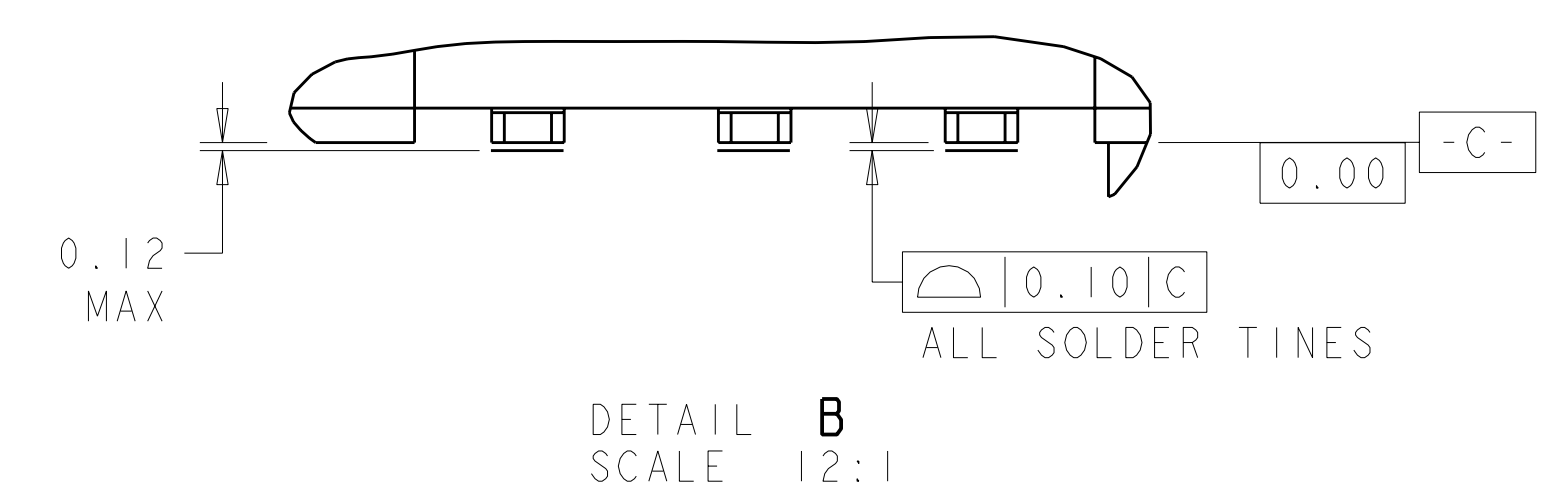
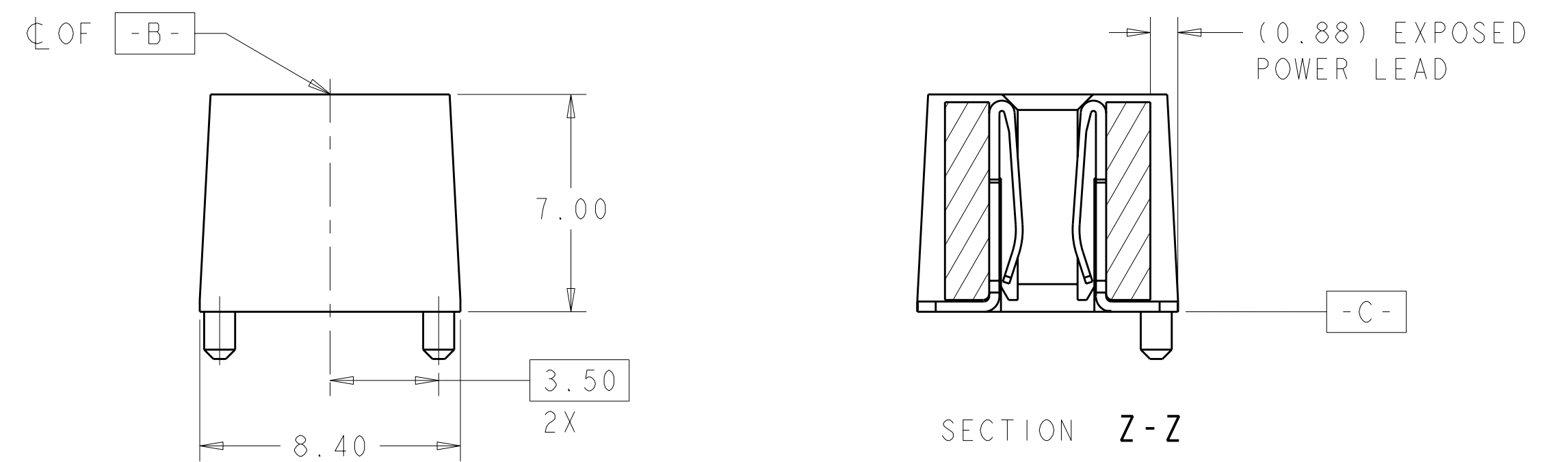
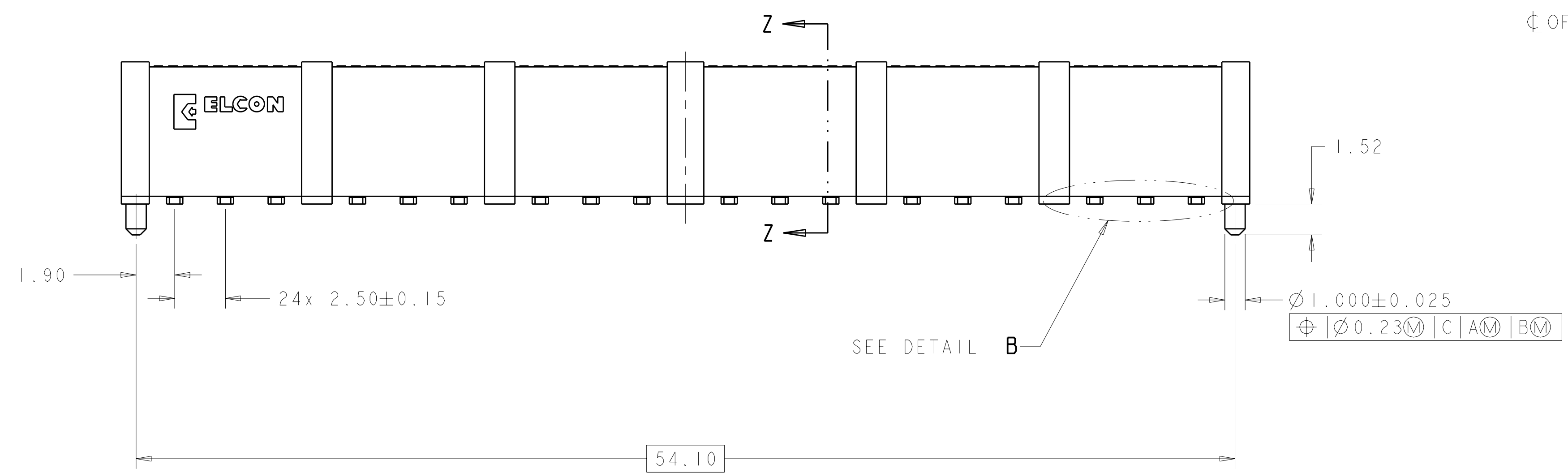
Address: A1208, Overseas Decoration Building, #122 Zhenhua RD., Futian, Shenzhen, China



LOC	DIST	REV	DATE	BY	CHK	APPV
GP	00	A	14AUG2009	RG	RL	
		A1	28AUG2009	MTS	MTS	



- PART NUMBER CHANGES AND OR DESIGN CHANGES AFFECTING ITEM INTERCHANGEABILITY REQUIRE PRIOR TYCO ELECTRONICS APPROVAL AND AUTHORIZATION BY REVISION TO THIS DRAWING.
- MATERIAL:  
HOUSING: THERMOPLASTIC GLASS REINFORCED, COLOR-BLACK  
UL94V-0 FLAMMABILITY RATED  
CONTACTS: COPPER ALLOY
- FINISH:  
POWER CONTACTS:  
1.27µm MIN NICKEL PLATE ALL OVER  
MATING AREA-0.76µm MIN GOLD OVER NICKEL PLATE  
SMT TAILS-3.05µm MIN TIN OVER NICKEL PLATE
- ITEMS PROVIDED TO THIS SPECIFICATION TO BE PERMANENTLY IDENTIFIED WITH PART NUMBER AND DATE CODE.
- DATUMS AND BASIC DIMENSIONS ESTABLISHED BY CUSTOMER.
- FOR DESIGN OBJECTIVES SEE 108-2301.
- MAXIMUM BURR OF 0.013 ON CARD TAB AREA.
- CONNECTOR ACCEPTS 1.57±0.13 THK. PC BOARD.
- KEEP OUT AREA FOR COMPONENTS ONLY
- RECOMMENDED GOLD FINGER LENGTH FOR RELIABLE CONTACT.
- CONNECTOR MATES WITH TYCO ELECTRONICS P/N 1926785-1 OR 6651711-1, OR EQUIVALENT.
- MEASURED CENTERLINE OF HOUSING CIRCUIT WITHOUT CONTACTS.



SCALE 4:1

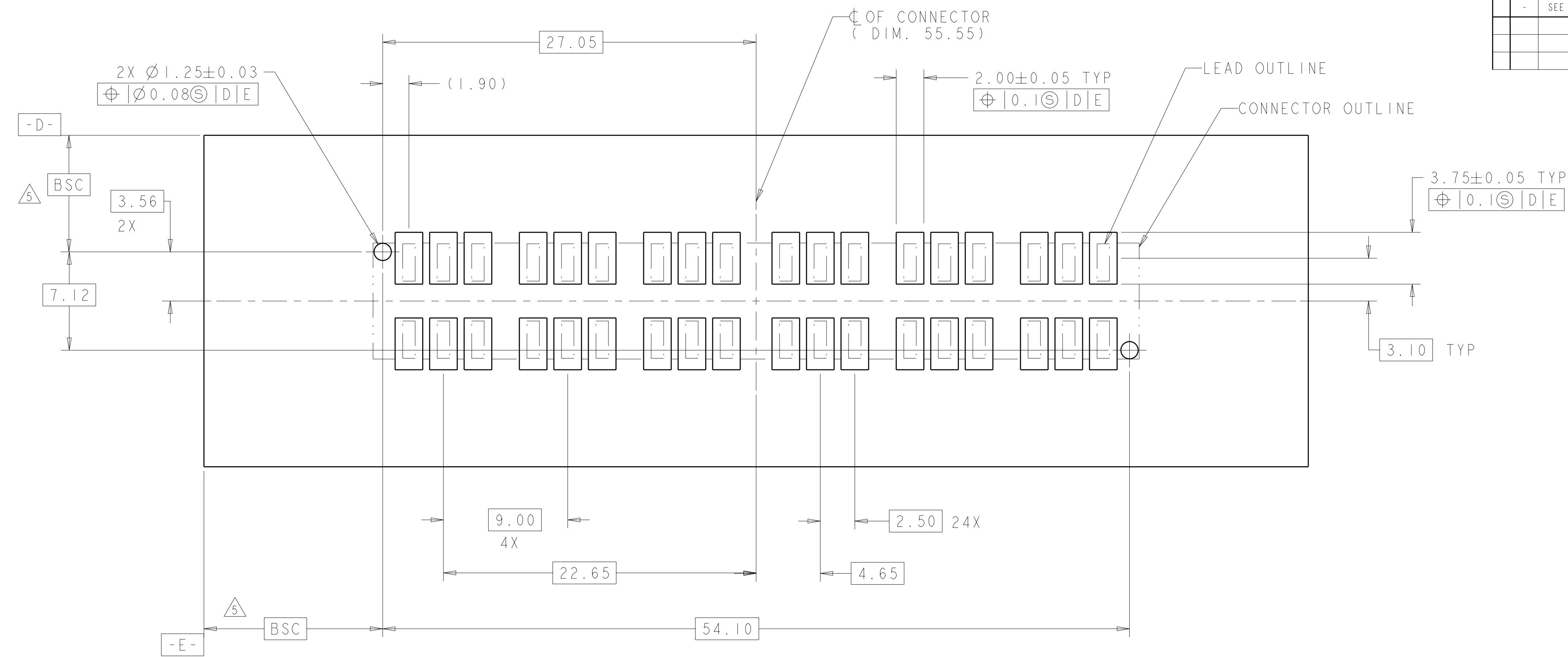
AS SHOWN	1926793-2
DESCRIPTION	PART NUMBER

DIMENSIONS: mm 9 PLC ±.5 1 PLC ±.5 2 PLC ±.25 3 PLC ±.5 4 PLC ±.5 ANGLES ±.5		TOLERANCES UNLESS OTHERWISE SPECIFIED: FINISH 2 3		DWN R. GRZYBOWSKI 11MAR2008 CHK P. DAMATO 11MAR2008 APPV S. FLICKINGER 11MAR2008 NAME PRODUCT SPEC APPLICATION SPEC WEIGHT CUSTOMER DRAWING		Tyco Electronics Harrisburg, PA 17105-3608 SOCKET CONNECTOR ASSEMBLY SMT 6 POWER, MINI CROWN EDGE SIZE CAGE CODE DRAWING NO A100779C=1926793 SCALE 6:1 SHEET 1 OF 3 REV A1	
---	--	--	--	--	--	---	--

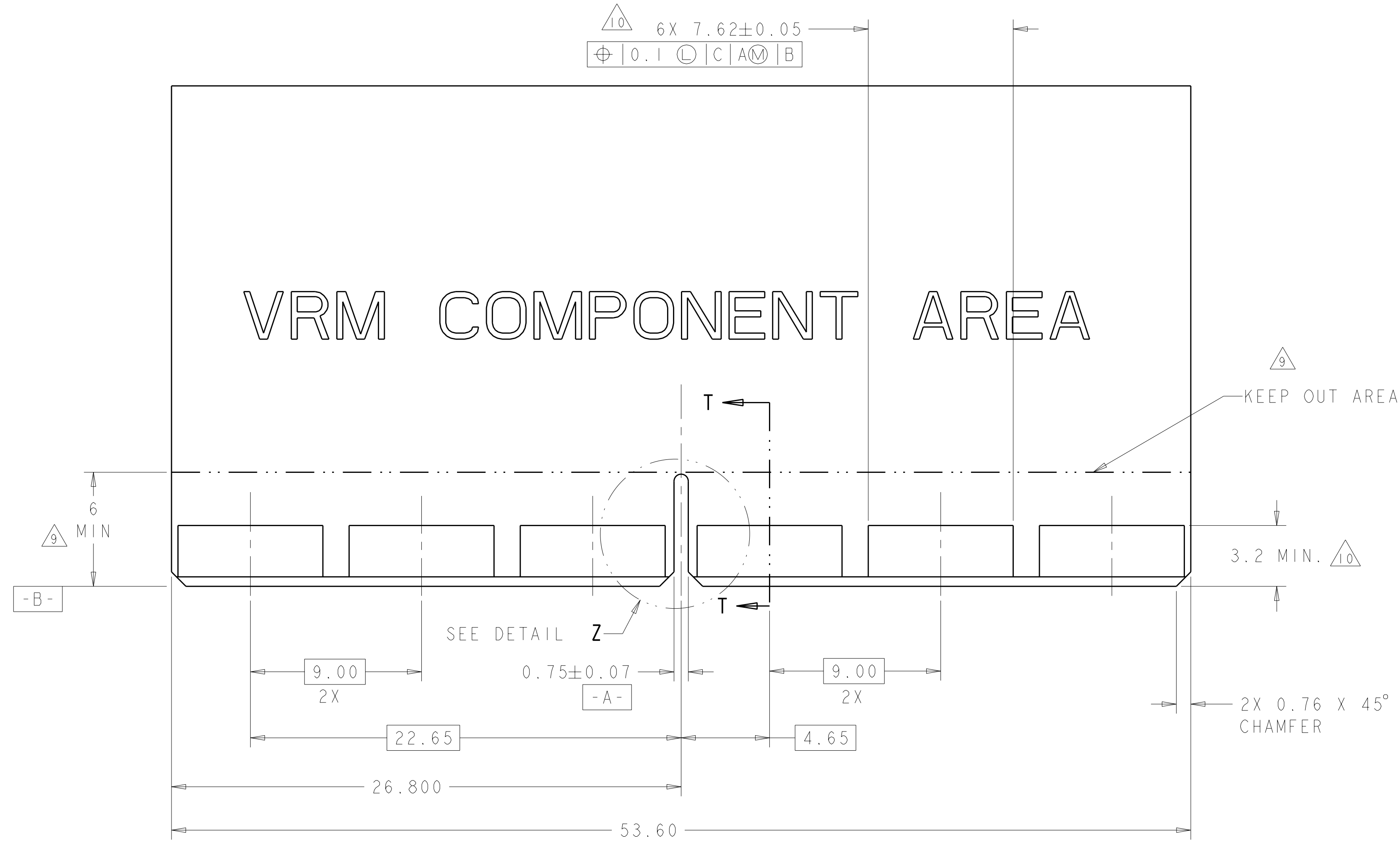
LOC	DIST	REV	DATE	BY	APPD
GP	00				

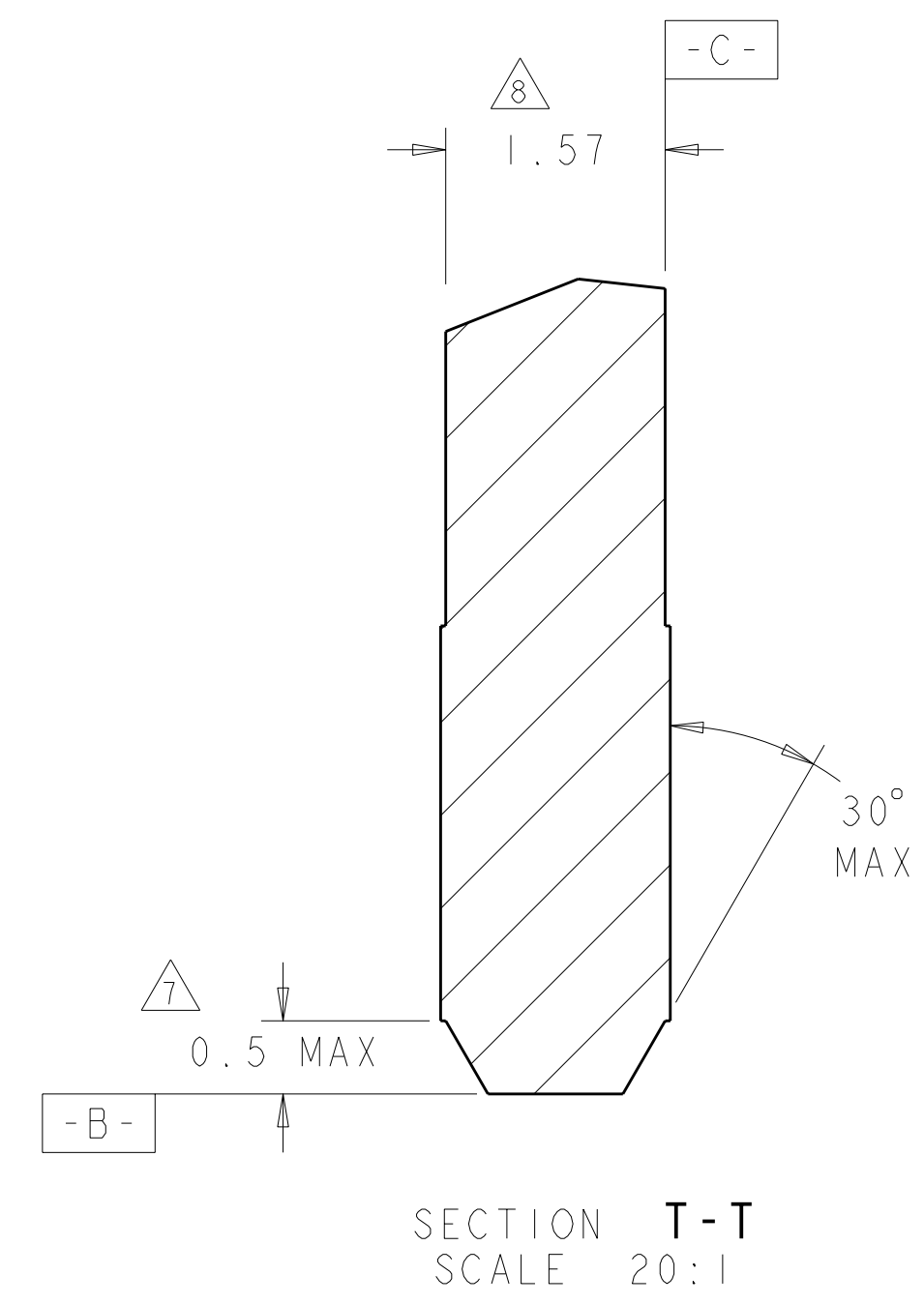
REVISIONS			DATE	BY	APPD
1	SEE SHEET 1				



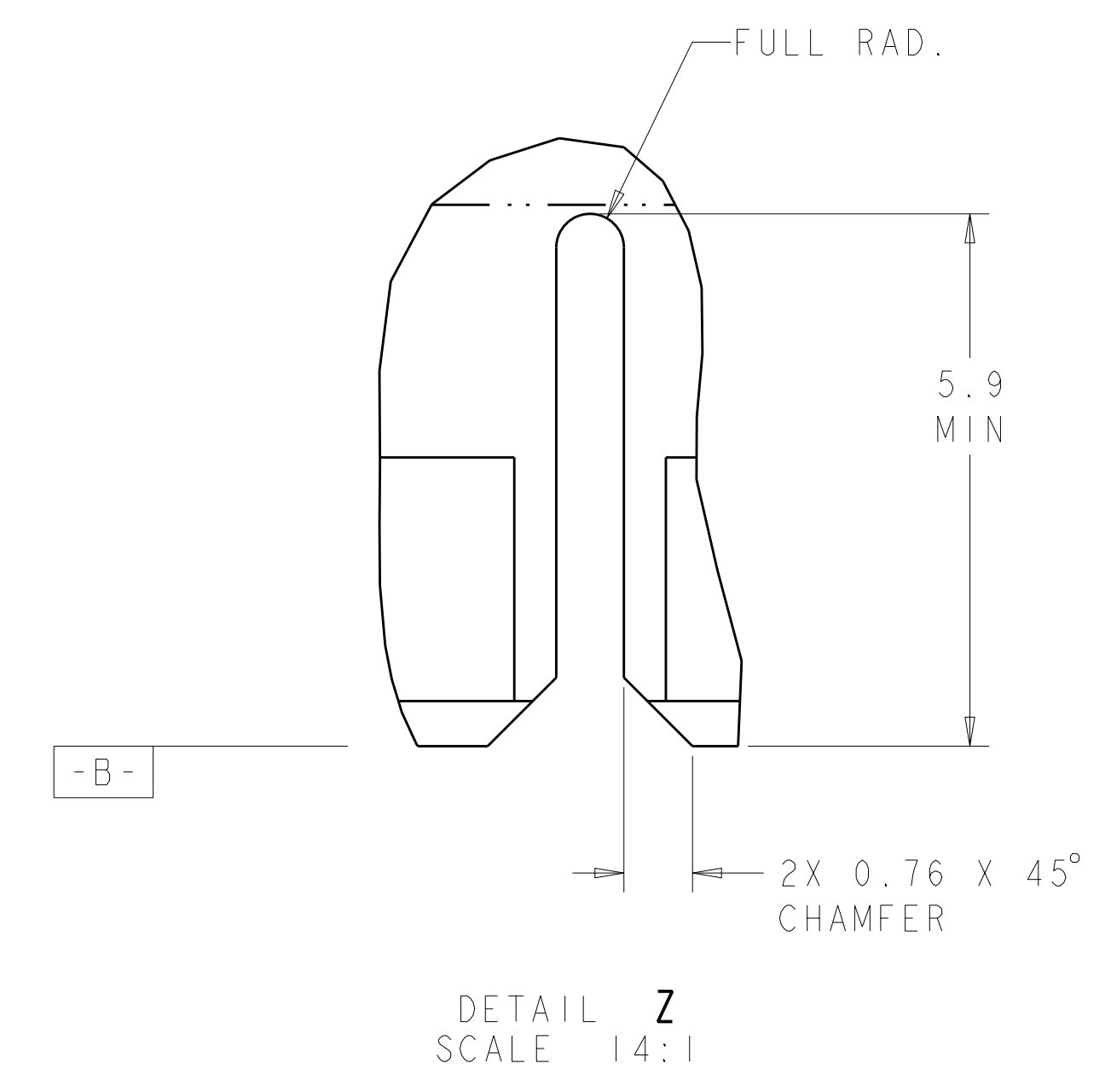
RECOMMENDED SOLDER LAND GUIDELINE  
 AS VIEWED FROM THE CONNECTOR SIDE  
 SCALE 6:1



RECOMMENDED MATING BOARD  
 SCALE 6:1



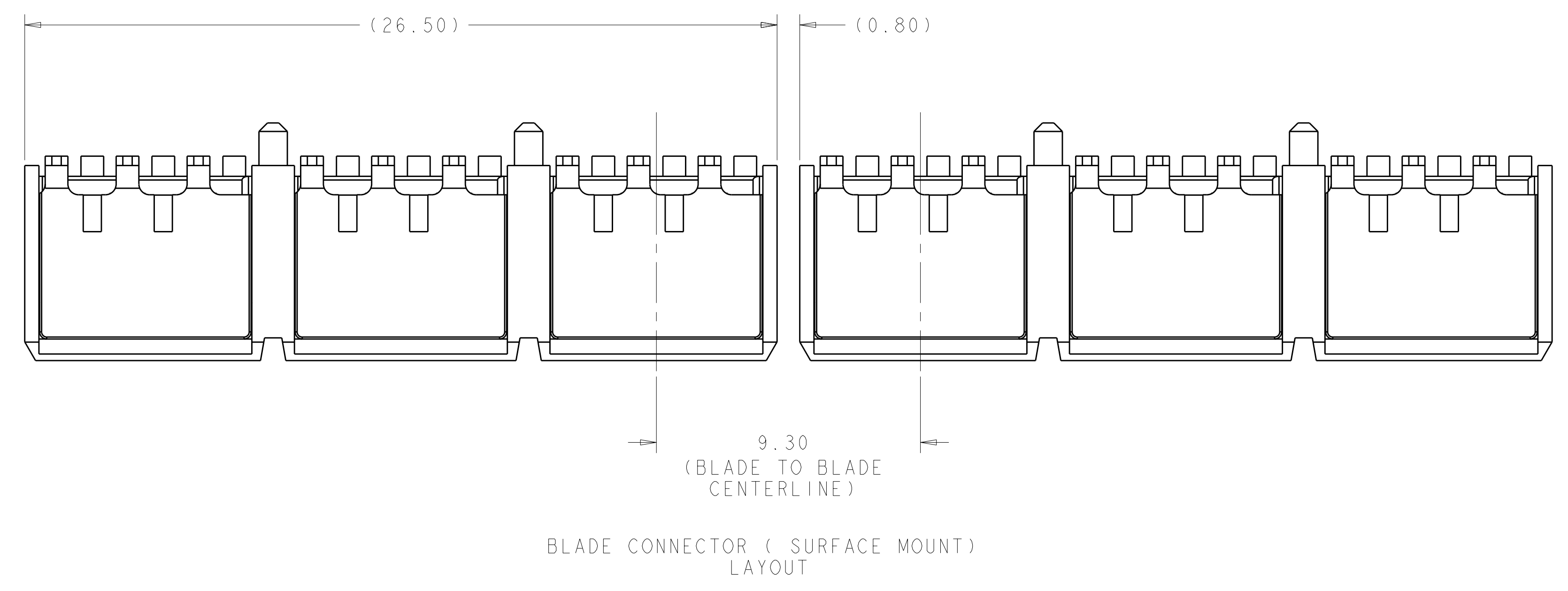
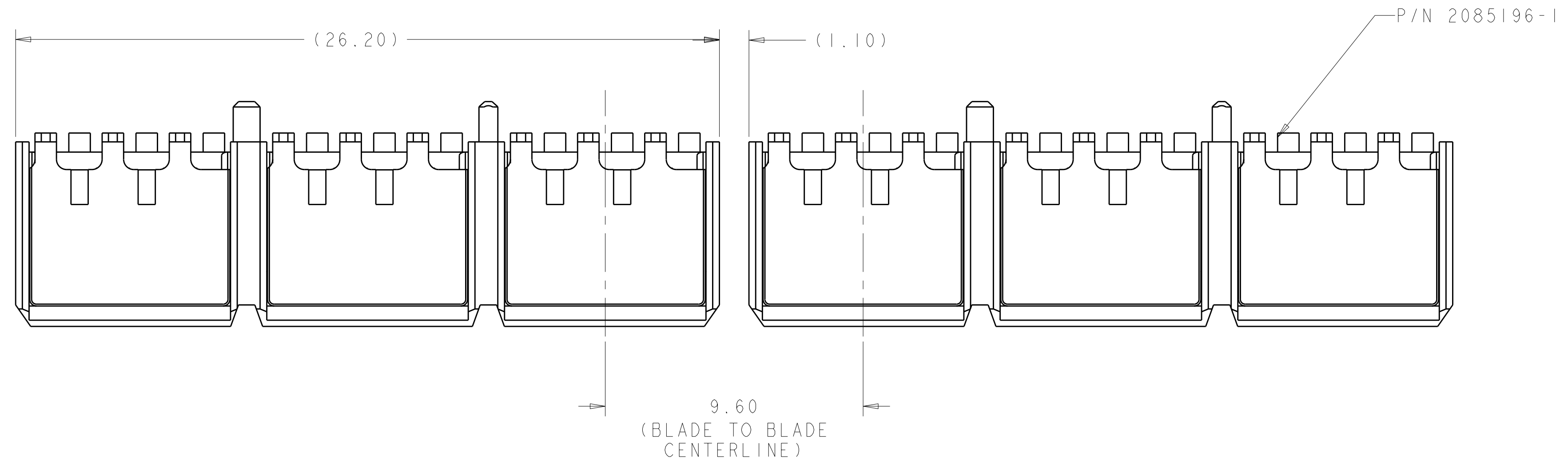
SECTION T-T  
 SCALE 20:1



DETAIL Z  
 SCALE 14:1

<small>THIS DRAWING IS UNPUBLISHED. RELEASED FOR PUBLICATION BY TYCO ELECTRONICS CORPORATION, ALL RIGHTS RESERVED.</small>		DWN: R. GRZYBOWSKI CHK: P. DAMATO APVD: S. FLICKINGER	DATE: 11MAR2008 NAME: SOCKET CONNECTOR ASSEMBLY SMT PRODUCT SPEC: 6 POWER, MINI CROWN EDGE APPLICATION SPEC:	Tyco Electronics Harrisburg, PA 17105-3608
DIMENSIONS: mm TOLERANCES UNLESS OTHERWISE SPECIFIED: 9 PLC ±.5 1 PLC ±.5 3 PLC ±.25 4 PLC ±.5 ANGLES ±.5 FINISH:	WEIGHT:	SIZE: A1100779 CAGE CODE: C=1926793 CUSTOMER DRAWING:	SCALE: 6:1 SHEET: 2 OF 3 REV: A1	RESTRICTED TO:

LOC	DIST	REVISIONS			
P	LTB	DESCRIPTION	DATE	DNW	APVD
GP	00	SEE SHEET 1	-	-	-



<small>THIS DRAWING IS UNPUBLISHED. RELEASED FOR PUBLICATION BY TYCO ELECTRONICS CORPORATION. IT IS SUBJECT TO CHANGE WITHOUT NOTICE AND WITHOUT OBLIGATION. SHOULD BE CONTACTED FOR THE LATEST REVISION.</small>		DWN: R. GRZYBOWSKI 11MAR2008 CHK: P. DAMATO 11MAR2008 APVD: S. FLICKINGER 11MAR2008	Tyco Electronics Harrisburg, PA 17105-3608
DIMENSIONS: mm	TOLERANCES UNLESS OTHERWISE SPECIFIED: 9 PLC ±.5 1 PLC ±.5 2 PLC ±.25 3 PLC ±.5 4 PLC ±.5 ANGLES ±.5 FINISH	NAME: SOCKET CONNECTOR ASSEMBLY SMT PRODUCT SPEC: APPLICATION SPEC: WEIGHT: CUSTOMER DRAWING	SIZE: A CAGE CODE: 100779 DRAWING NO: C-1926793 RESTRICTED TO:
SCALE: 6:1		SHEET: 3 OF 3	REV: A1