



Chipsmall Limited consists of a professional team with an average of over 10 year of expertise in the distribution of electronic components. Based in Hongkong, we have already established firm and mutual-benefit business relationships with customers from,Europe,America and south Asia,supplying obsolete and hard-to-find components to meet their specific needs.

With the principle of "Quality Parts,Customers Priority,Honest Operation,and Considerate Service",our business mainly focus on the distribution of electronic components. Line cards we deal with include Microchip,ALPS,ROHM,Xilinx,Pulse,ON,Everlight and Freescale. Main products comprise IC,Modules,Potentiometer,IC Socket,Relay,Connector.Our parts cover such applications as commercial,industrial, and automotives areas.

We are looking forward to setting up business relationship with you and hope to provide you with the best service and solution. Let us make a better world for our industry!



## Contact us

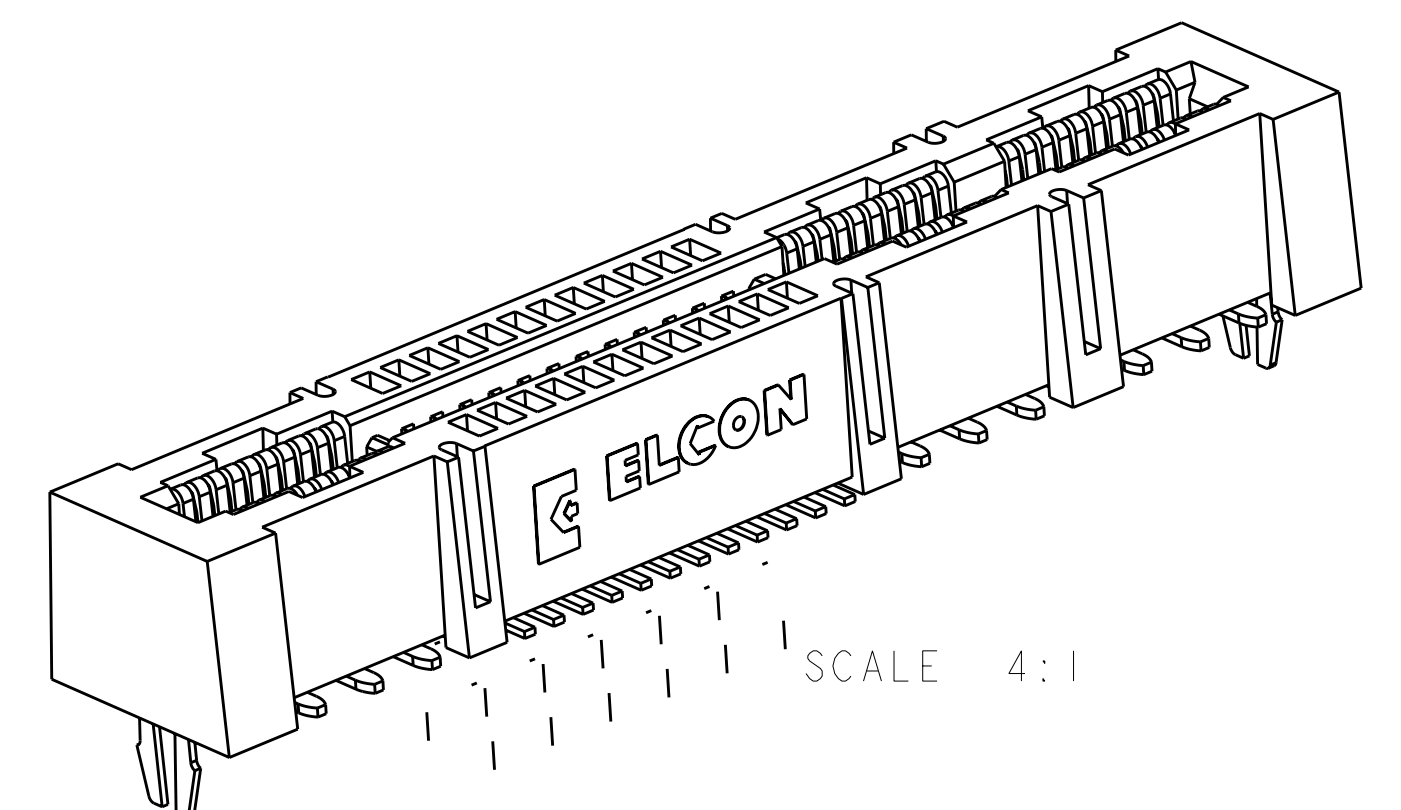
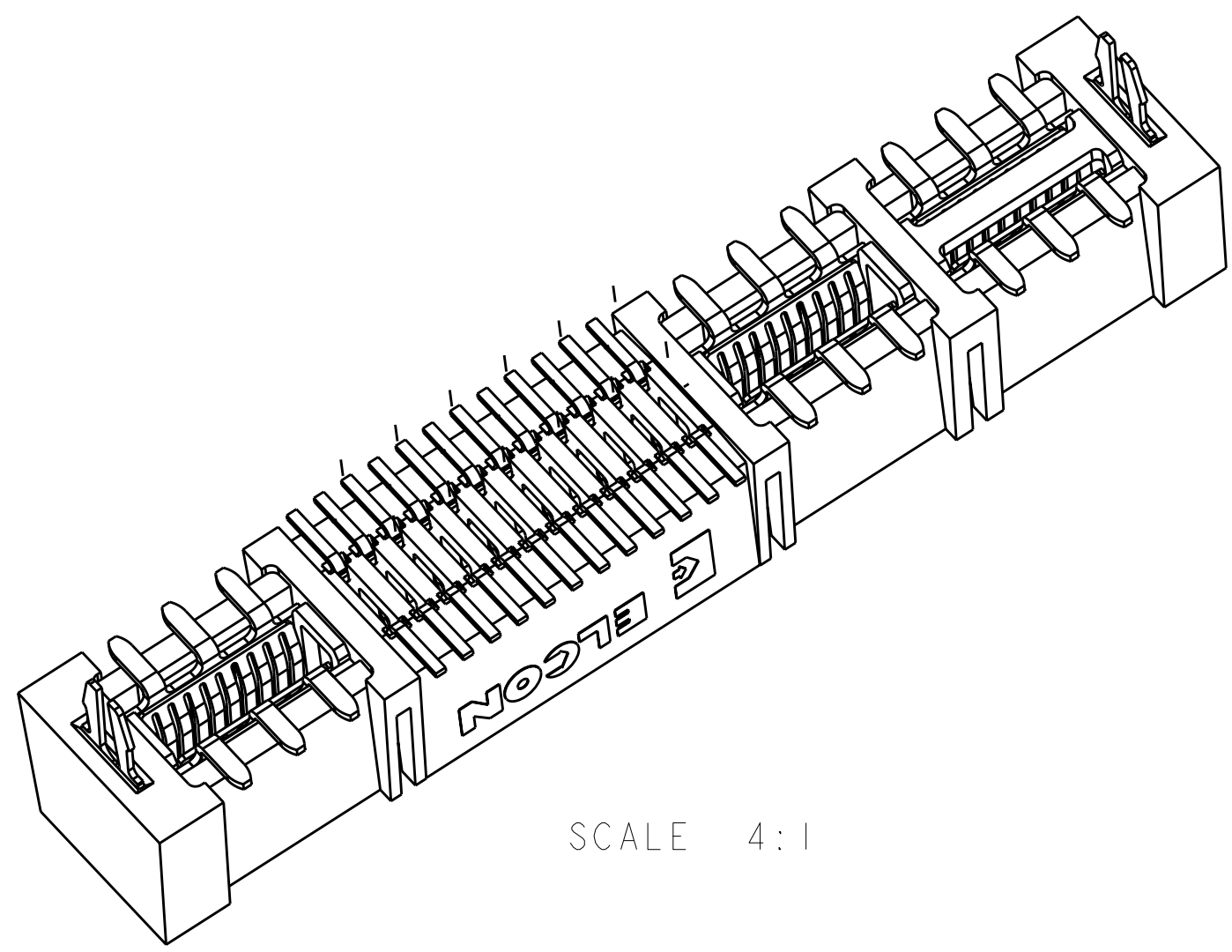
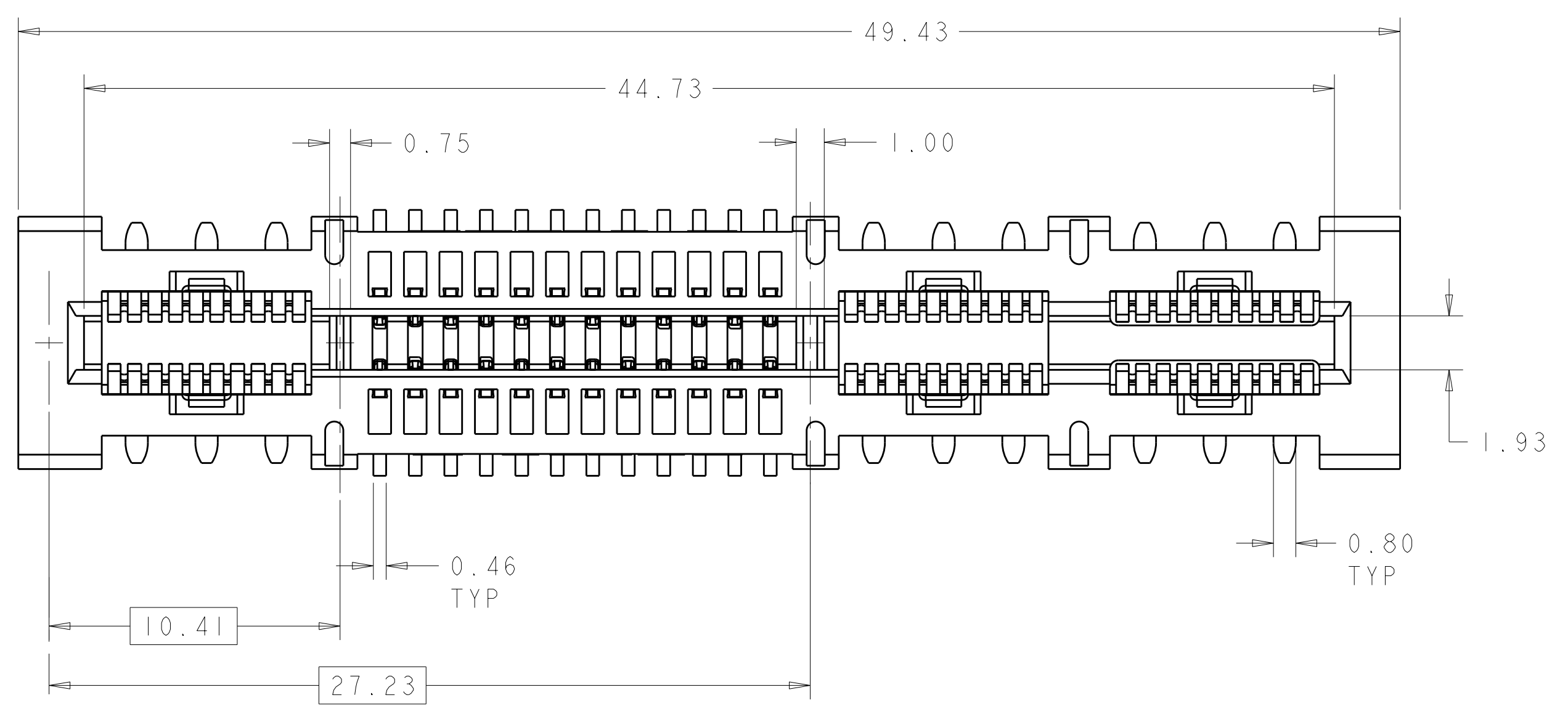
Tel: +86-755-8981 8866 Fax: +86-755-8427 6832

Email & Skype: info@chipsmall.com Web: www.chipsmall.com

Address: A1208, Overseas Decoration Building, #122 Zhenhua RD., Futian, Shenzhen, China



LOC	DIST	REVISIONS			
GP	00	REV	DATE	BY	APPD
		A	20AUG2009	RG	RL



1. PART NUMBER CHANGES AND OR DESIGN CHANGES AFFECTING ITEM INTERCHANGEABILITY REQUIRE PRIOR TYCO ELECTRONICS APPROVAL AND AUTHORIZATION BY REVISION TO THIS DRAWING.

2. MATERIAL:  
 INSULATOR - THERMOPLASTIC, GLASS REINFORCED UL94V-0  
 COLOR: BLACK, FLAMMABILITY RATED  
 CONTACTS - COPPER ALLOY

3. FINISH:  
 POWER CONTACT - SELECTIVE GOLD PLATE 0.76µm MIN THK. OVER NICKEL 1.27µm MIN THK.  
 SMT TAILS - TIN PLATE 3.05µm MIN. THK. OVER NICKEL 1.27µm MIN. THK.

SIGNAL CONTACT - SLECTIVE GOLD PLATE 0.76µm MIN THK. OVER NICKEL 1.27µm MIN THK.  
 SMT TAILS - MATTE TIN PLATE 3.81µm MIN THK. OVER NICKEL 1.27µm MIN THK.

4. A REFERENCE DIMENSION (X.XX) IS WITHOUT TOLERANCE AND USED FOR INFORMATION PURPOSE ONLY.

5. ITEMS PROVIDED TO THIS SPECIFICATION TO BE PERMANENTLY IDENTIFIED PER THE FOLLOWING IDENTIFIER:

TYCO ELECTRONICS P/N      YEAR 1 WEEK  
 XXXXXXX-X      DATE CODE (e.g. 0525)      XXXX

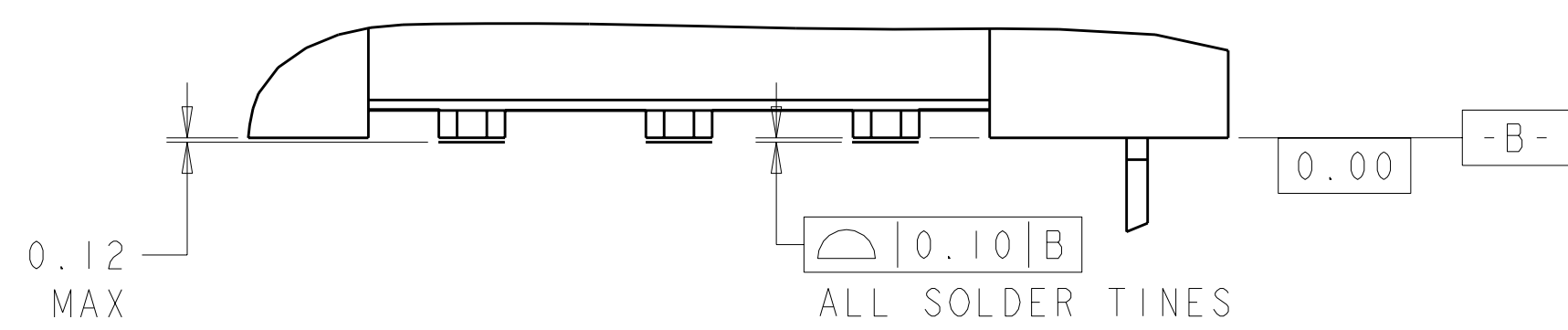
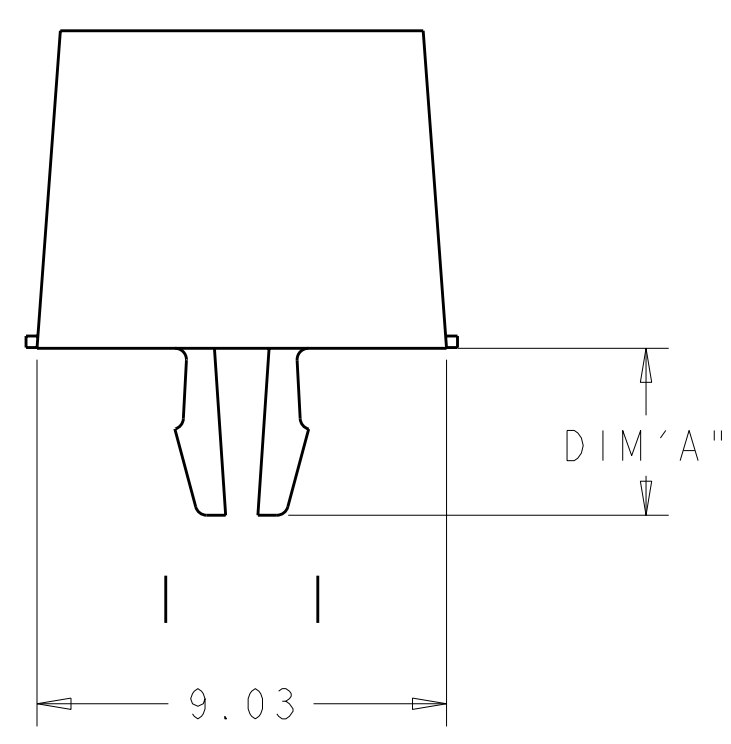
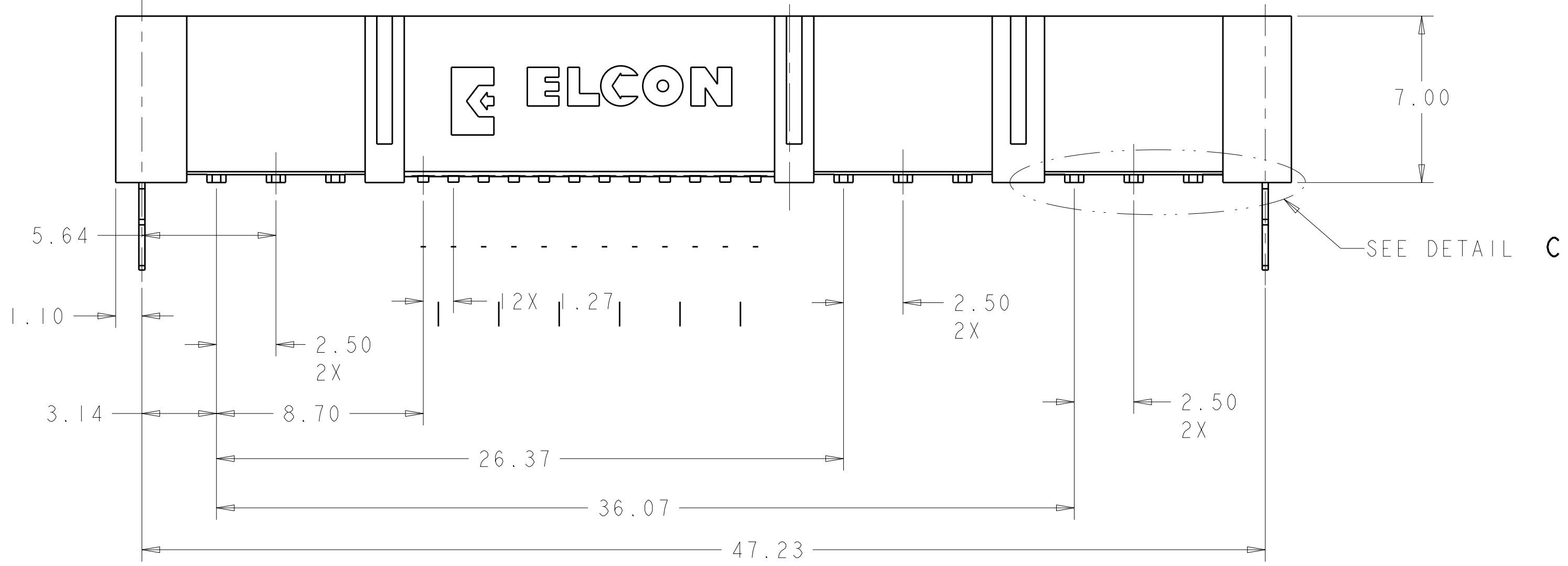
6. DATUMS AND BASIC DIMENSIONS ESTABLISHED BY CUSTOMER.

7. MAXIMUM BURR OF 0.013 ON CARD TAB AREA.

8. CONNECTOR ACCEPTS 1.57±0.13 THK. PC BOARD.

9. KEEP OUT AREA FOR COMPONENTS ONLY.

10. RECOMMENDED GOLD FINGER LENGTH FOR RELIABLE CONTACT.



DETAIL C  
 SCALE 12:1

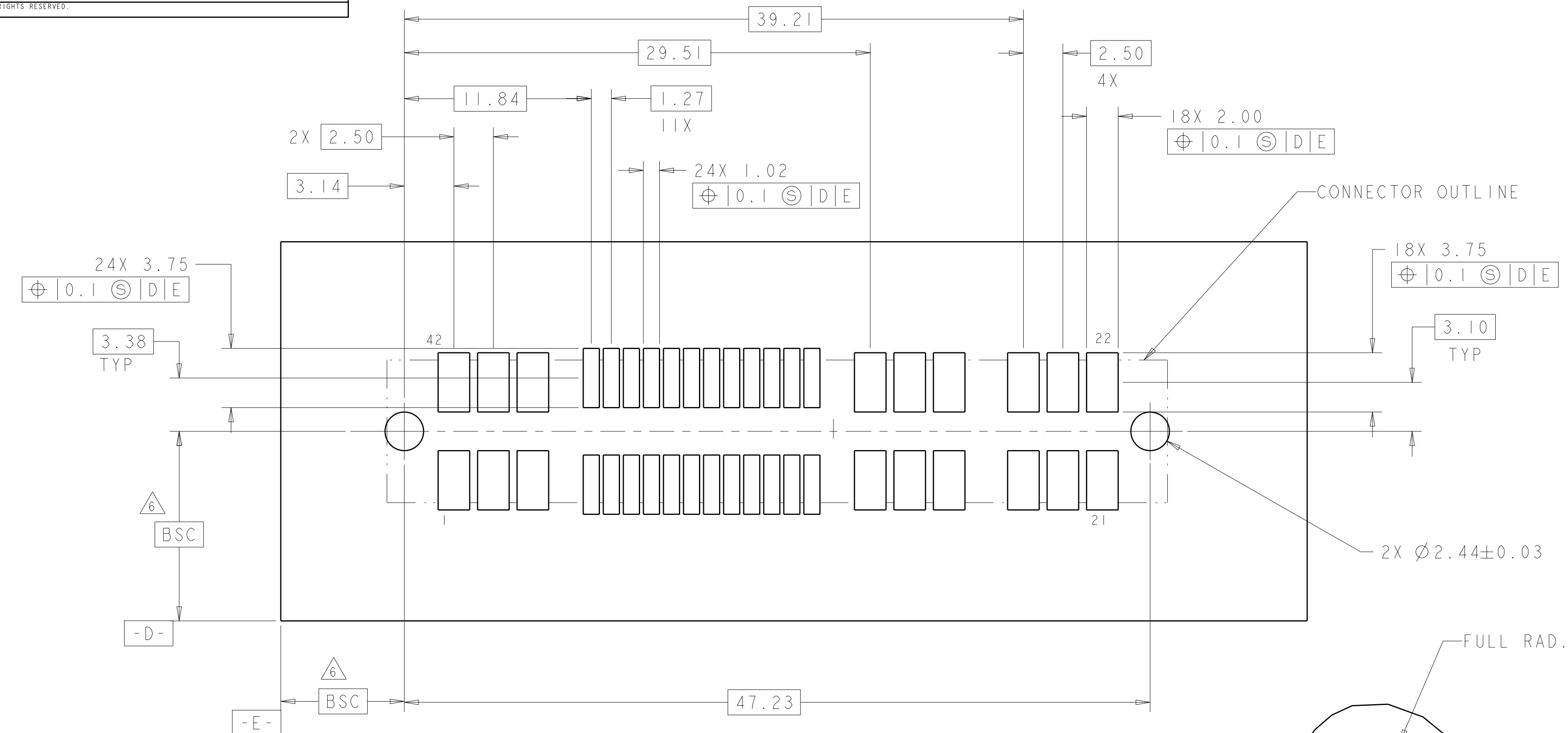
	5.24	2.92 - 3.55	1926819-8
GF30	4.61	2.29 - 2.92	1926819-7
	4.19	1.57 - 2.29	1926819-6
	3.68	≤ 1.57	1926819-5
GF45	5.24	2.92 - 3.55	1926819-4
	4.61	2.29 - 2.92	1926819-3
	4.19	1.57 - 2.29	1926819-2
	3.68	≤ 1.57	1926819-1
MATERIAL	DIM "A"	BOARD THICKNESS RANGE	PART NO.

DIMENSIONS: mm TOLERANCES UNLESS OTHERWISE SPECIFIED: 0 PLC ±.25 1 PLC ±.25 2 PLC ±.08 3 PLC ±.08 4 PLC ±.08 ANGLES ±.3		DWN: R. GRZYBOWSKI 16APR2008 CHK: P. DAMATO 16APR2008 APVD: S. FLICKINGER 16APR2008		Tyco Electronics Harrisburg, PA 17105-3608	
MATERIAL:		FINISH:		NAME: HOUSING, SOCKET, 3 POWER, 24 SIGNAL NO LATCH, MINI CROWN EDGE PRODUCT SPEC: - APPLICATION SPEC: - WEIGHT: - CUSTOMER DRAWING: -	
SIZE: A   00779   C=1926819		SCALE: 8:1		SHEET: 1 OF 2 REV: A	

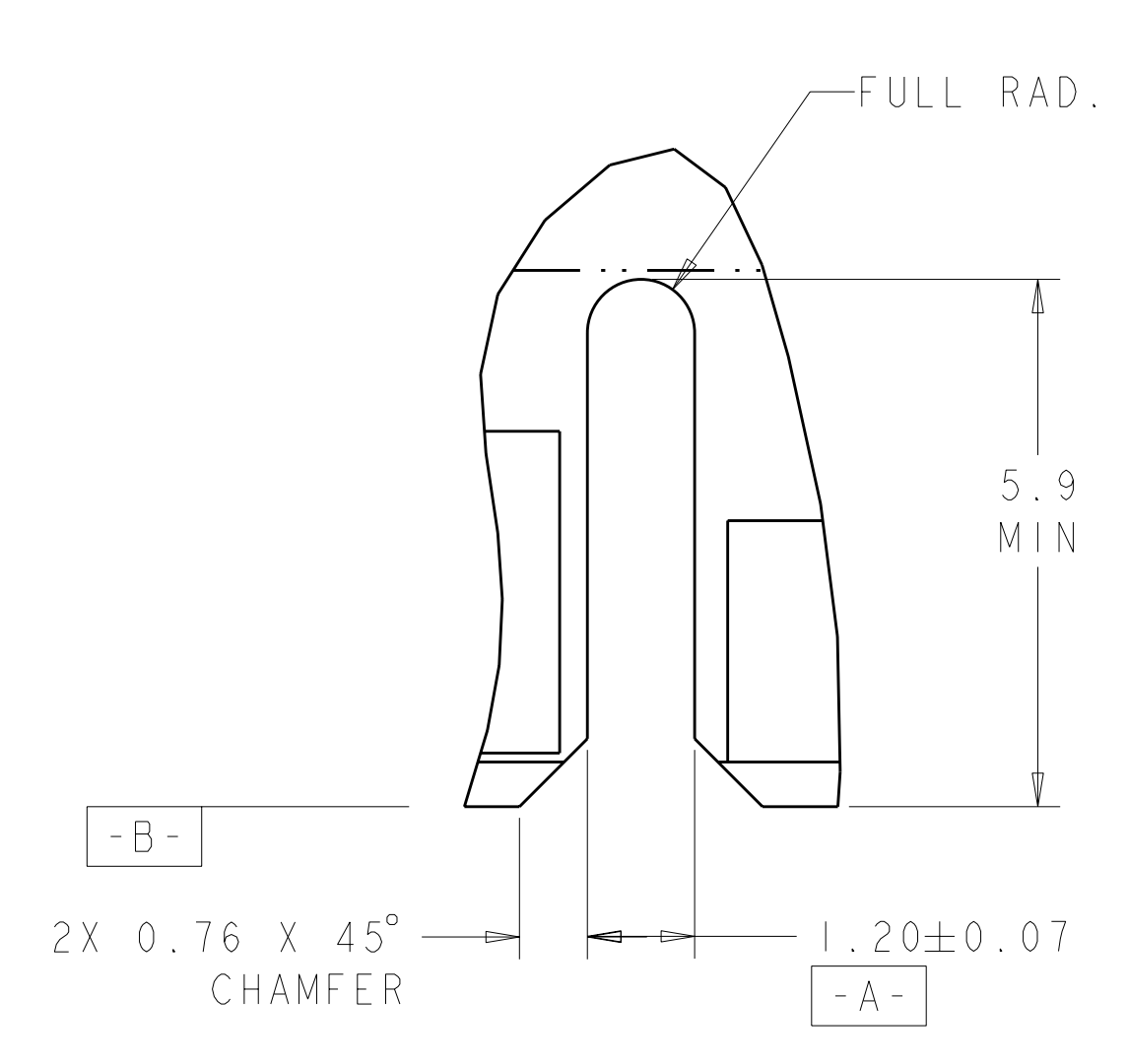
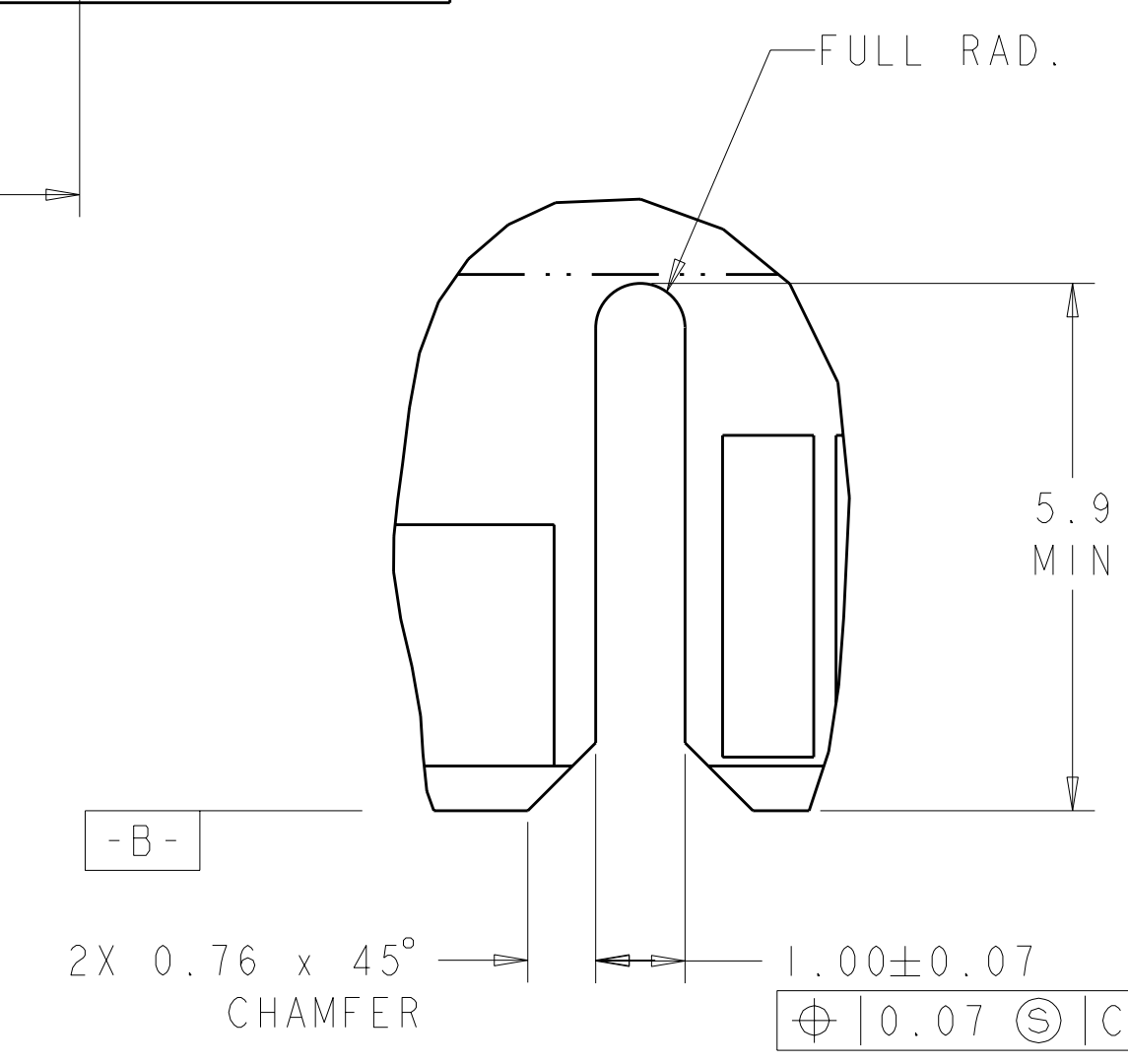
LOC	DIST	REV	DATE	BY	APPD
GP	00				

REVISONS		DATE	BY	APPD
1	SEE SHEET 1			

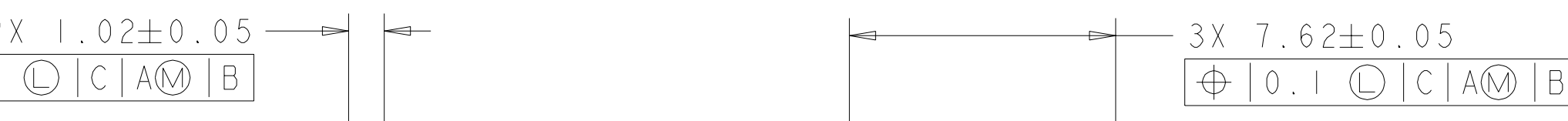


**RECOMMENDED SOLDER LAND LAYOUT**  
 AS VIEWED FROM CONNECTOR SIDE

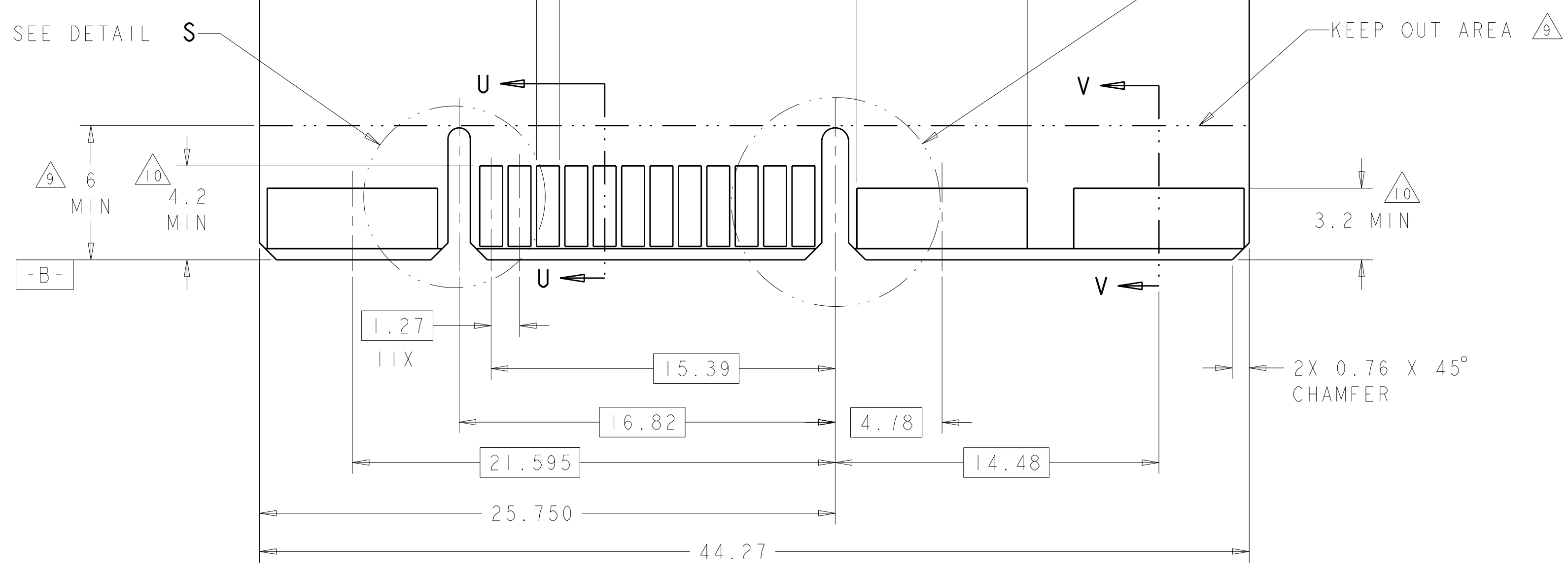


DETAIL S  
 SCALE 12:1

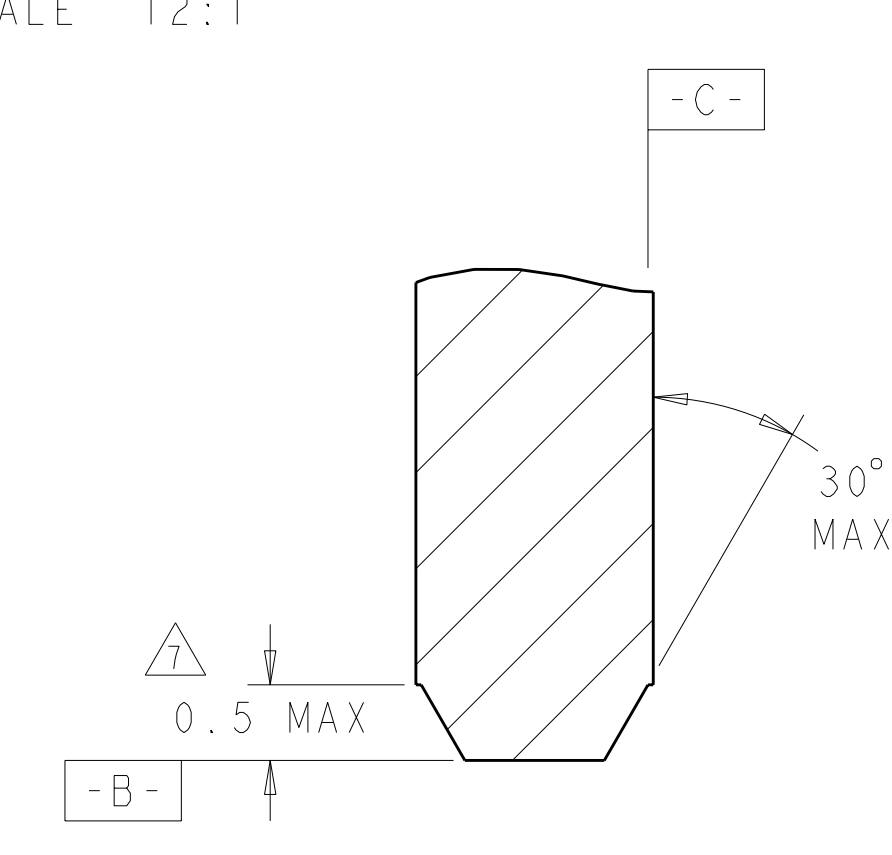
DETAIL W  
 SCALE 12:1



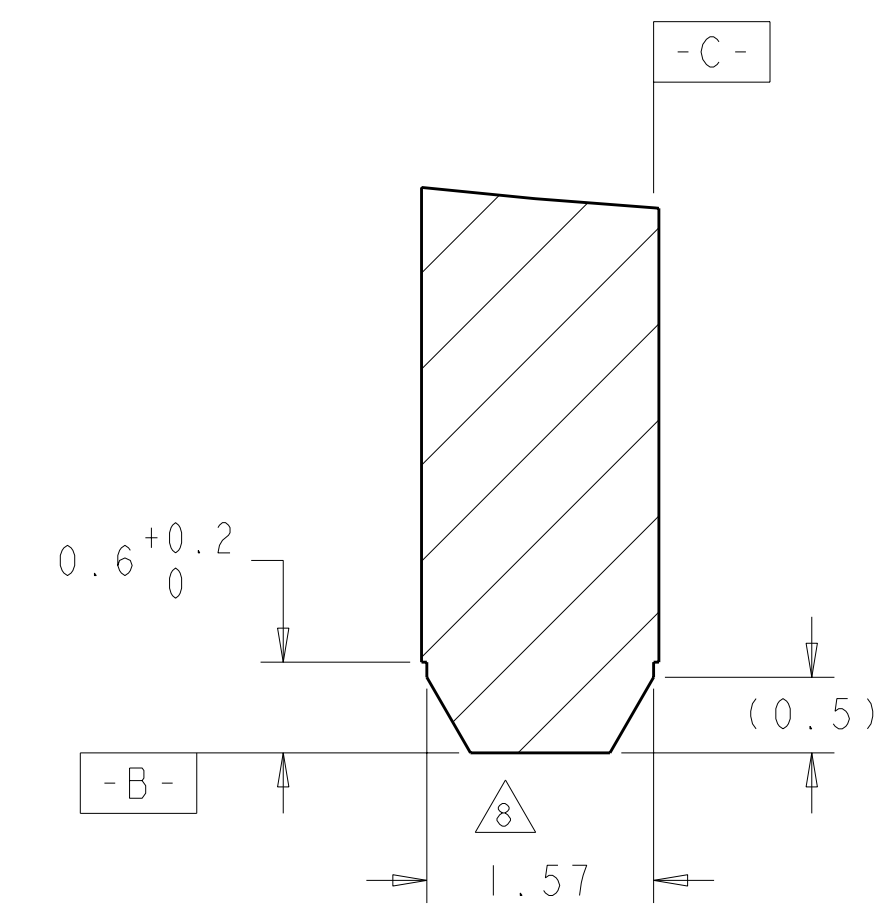
**VRM COMPONENT AREA**



**RECOMMENDED MATING BOARD**  
 SCALE 6:1



SECTION V-V  
 SCALE 20:1



SECTION U-U  
 SCALE 20:1

DESIGN APPROVED THIS PRINT IS  
**PRELIMINARY**  
 TO FIRST PIECE APPROVAL  
 CONTACT PRODUCT ENGINEERING  
 BEFORE USING THIS PRINT

DIMENSIONS: mm 		TOLERANCES UNLESS OTHERWISE SPECIFIED: 9 PLC ±.25 1 PLC ±.08 5 PLC ±.08 4 PLC ±.08 ANGLES ±.3		DWN R. GRZYBOWSKI 16APR2008 CHK P. DAMATO 16APR2008 APVD S. FLICKINGER 16APR2008		Tyco Electronics Harrisburg, PA 17105-3608	
MATERIAL: - FINISH: -		WEIGHT: - CUSTOMER DRAWING: -		NAME: HOUSING, SOCKET, 3 POWER, 24 SIGNAL NO LATCH, MINI CROWN EDGE PRODUCT SPEC: - APPLICATION SPEC: -		SIZE: A1100779 CAGE CODE: C=1926819 DRAWING NO: - RESTRICTED TO: -	
SCALE: 8:1				SHEET: 2 OF 2		REV: A	