



Chipsmall Limited consists of a professional team with an average of over 10 year of expertise in the distribution of electronic components. Based in Hongkong, we have already established firm and mutual-benefit business relationships with customers from,Europe,America and south Asia,supplying obsolete and hard-to-find components to meet their specific needs.

With the principle of "Quality Parts,Customers Priority,Honest Operation,and Considerate Service",our business mainly focus on the distribution of electronic components. Line cards we deal with include Microchip,ALPS,ROHM,Xilinx,Pulse,ON,Everlight and Freescale. Main products comprise IC,Modules,Potentiometer,IC Socket,Relay,Connector.Our parts cover such applications as commercial,industrial, and automotives areas.

We are looking forward to setting up business relationship with you and hope to provide you with the best service and solution. Let us make a better world for our industry!



Contact us

Tel: +86-755-8981 8866 Fax: +86-755-8427 6832

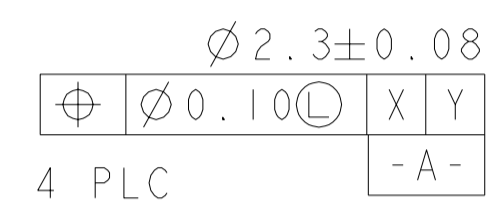
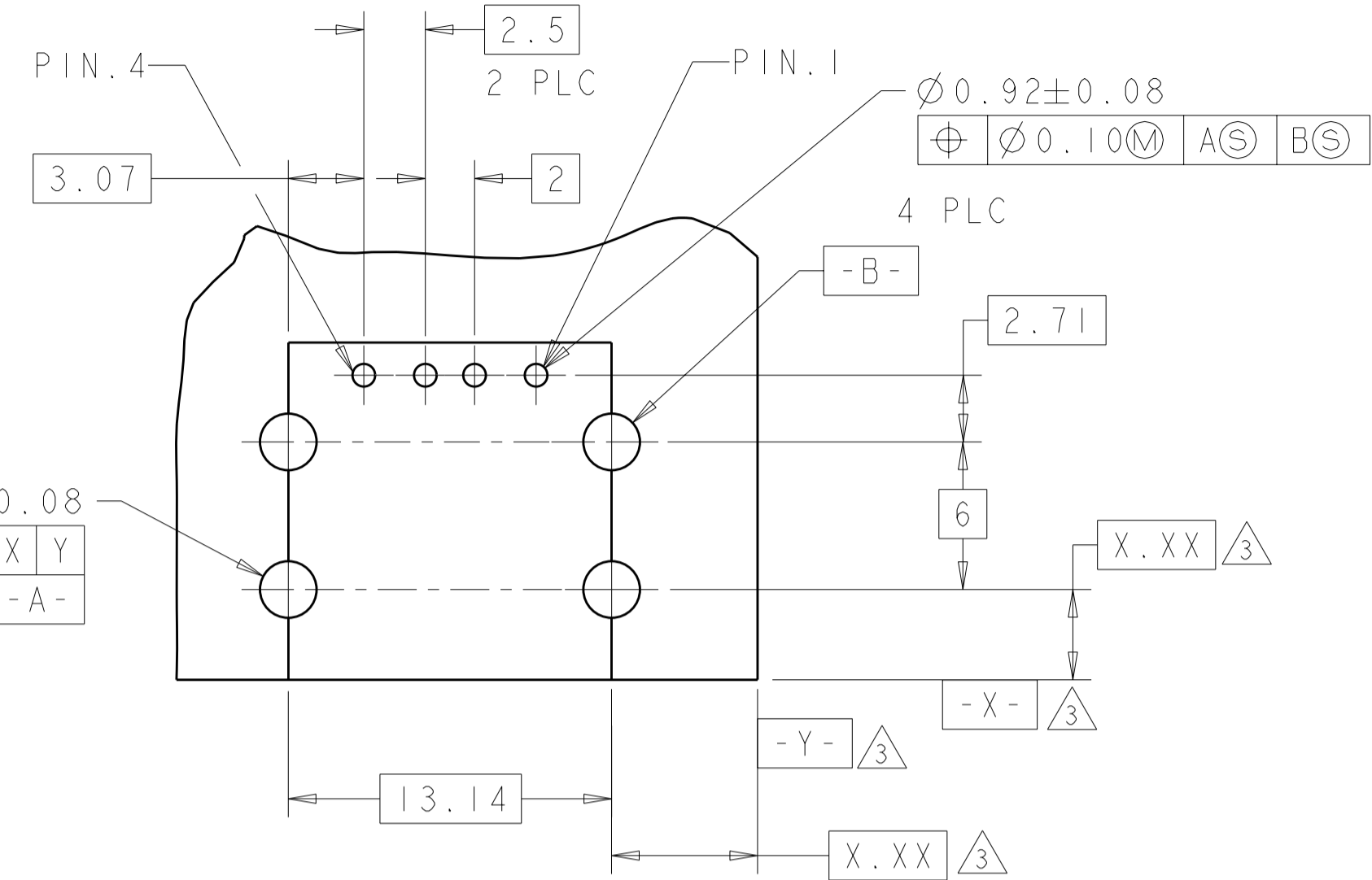
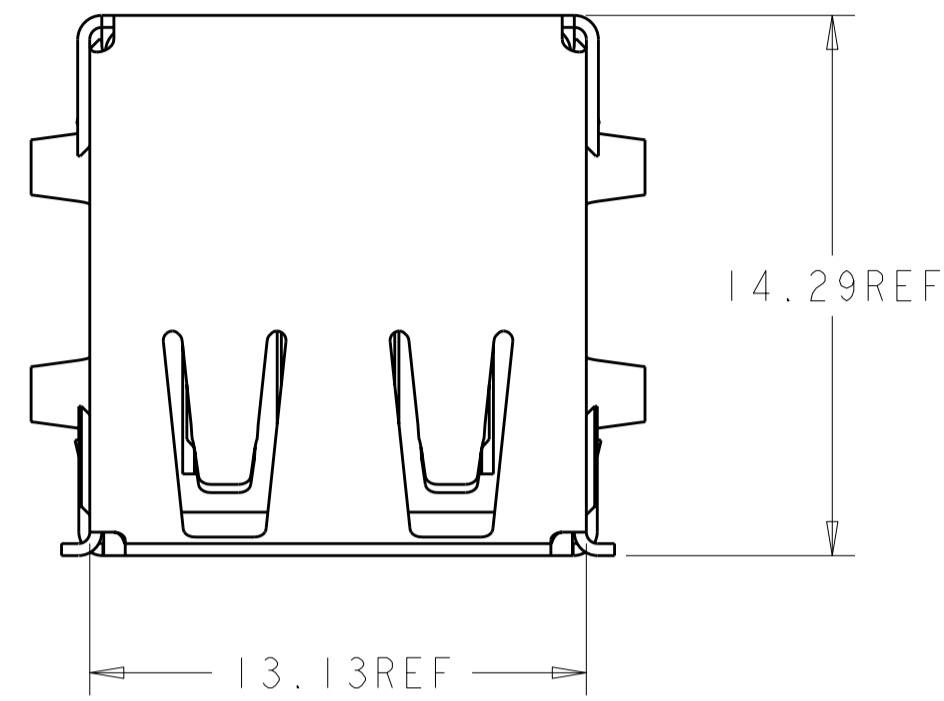
Email & Skype: info@chipsmall.com Web: www.chipsmall.com

Address: A1208, Overseas Decoration Building, #122 Zhenhua RD., Futian, Shenzhen, China

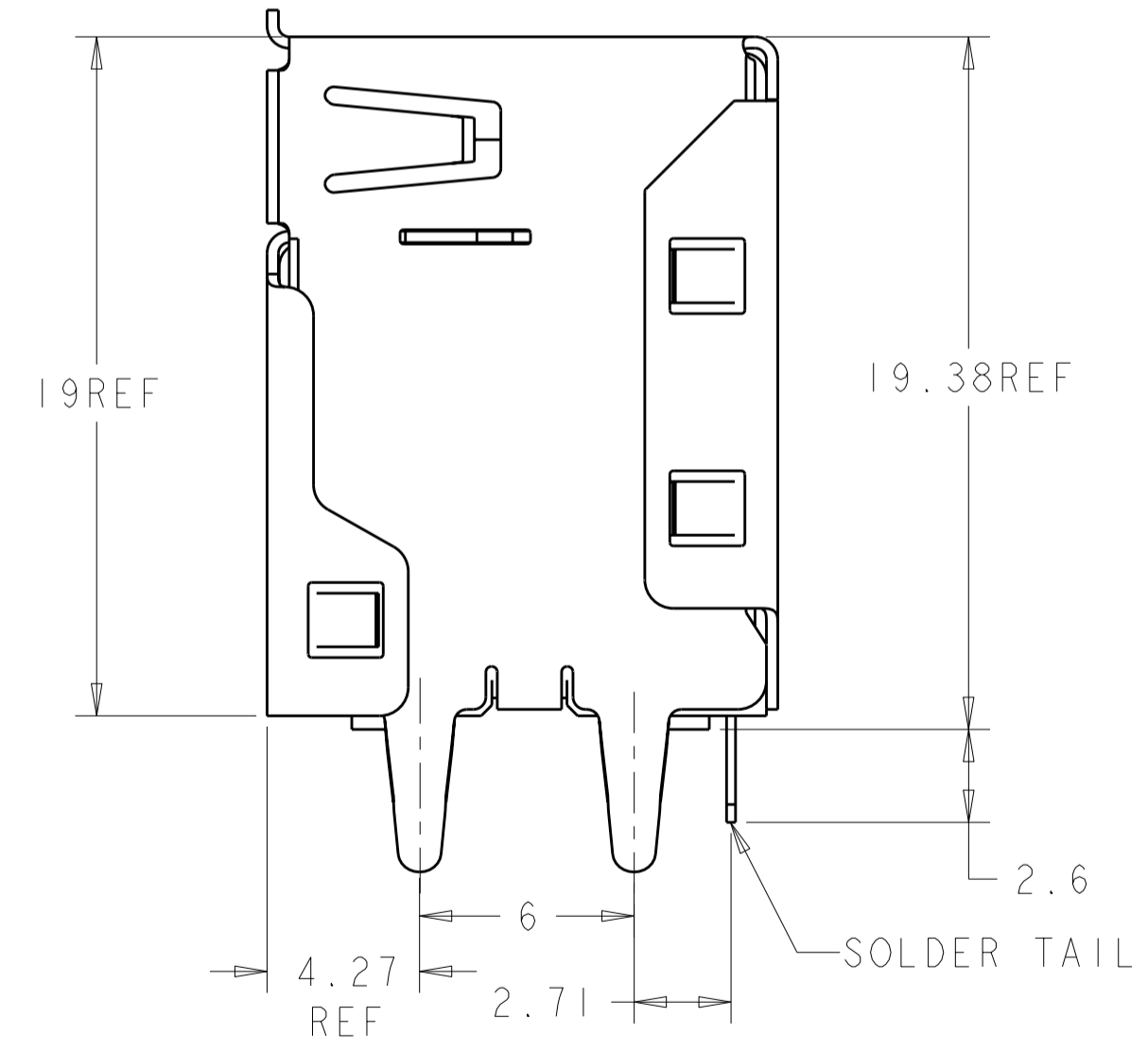
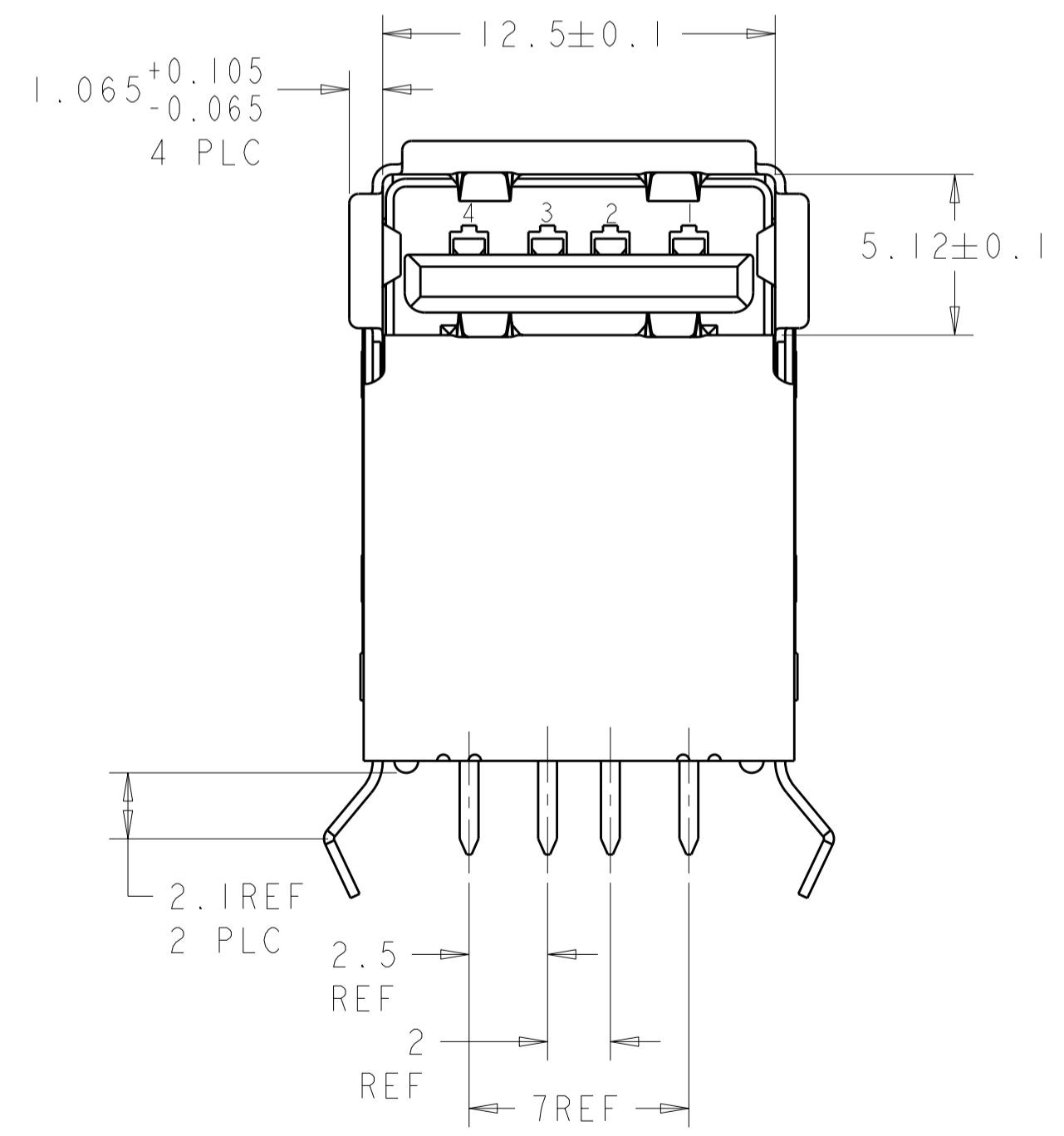


THIS DRAWING IS UNPUBLISHED. RELEASED FOR PUBLICATION 20
 © COPYRIGHT 20 BY TYCO ELECTRONICS CORPORATION. ALL RIGHTS RESERVED.

LOC		DIST		REVISIONS			
P	LTR	DESCRIPTION	DATE	DWN	APVD		
ES	00						
		C	REVISED ECR-08-019063	20OCT08	A.Z	S.Y	



PC BOARD MOUNTING DIMENSIONS $\Delta 4$



- $\Delta 1$ MATERIAL:
SHELLS & CONTACTS - COPPER ALLOY.
HOUSING - UL 94V-0 RATED, THERMOPLASTIC.
- $\Delta 2$ PLATING:
CONTACTS - 0.076
PALLADIUM-NICKEL ON MATING AREA.
3.8
BOTH OVER 1.27
CONTACT ALTERNATE PLATING: 0.76
ON MATING AREA, 3.8
TAILS, BOTH OVER 1.27
SHELL: 1.7
- $\Delta 3$ DATUM AND BASIC DIMENSIONS ESTABLISHED BY CUSTOMER.
- $\Delta 4$ RECOMMENDED PC BOARD THICKNESS OF 1.57.

THIS DRAWING IS A CONTROLLED DOCUMENT FOR TYCO ELECTRONICS CORPORATION IT IS SUBJECT TO CHANGE AND THE CONTROLLING ENGINEERING ORGANIZATION SHOULD BE CONTACTED FOR THE LATEST REVISION.		DWN Tony Zhang 12NOV07	Tyco Electronics Shanghai, P.R, China, 200233	
DIMENSIONS: mm		CHK Martin Li 12NOV07	NAME RECEPTACLE ASSEMBLY RIGHT ANGLE 4 POSITION T/H USB LEAD FREE VERSION	
TOLERANCES UNLESS OTHERWISE SPECIFIED: 0 PLC ± 0.25 1 PLC ± 0.25 2 PLC ± 0.25 3 PLC ± 0.25 4 PLC ± 0.25 ANGLES $\pm 1^\circ$ FINISH		APVD Steven Yao 12NOV07	SIZE A200779	
MATERIAL $\Delta 1$		PRODUCT SPEC -	DRAWING NO C-1932055	
		APPLICATION SPEC -	RESTRICTED TO -	
		WEIGHT -	SCALE 4:1	
		CUSTOMER DRAWING	SHEET 1 OF 1 REV C	