



Chipsmall Limited consists of a professional team with an average of over 10 year of expertise in the distribution of electronic components. Based in Hongkong, we have already established firm and mutual-benefit business relationships with customers from,Europe,America and south Asia,supplying obsolete and hard-to-find components to meet their specific needs.

With the principle of “Quality Parts,Customers Priority,Honest Operation,and Considerate Service”,our business mainly focus on the distribution of electronic components. Line cards we deal with include Microchip,ALPS,ROHM,Xilinx,Pulse,ON,Everlight and Freescale. Main products comprise IC,Modules,Potentiometer,IC Socket,Relay,Connector.Our parts cover such applications as commercial,industrial, and automotives areas.

We are looking forward to setting up business relationship with you and hope to provide you with the best service and solution. Let us make a better world for our industry!



Contact us

Tel: +86-755-8981 8866 Fax: +86-755-8427 6832

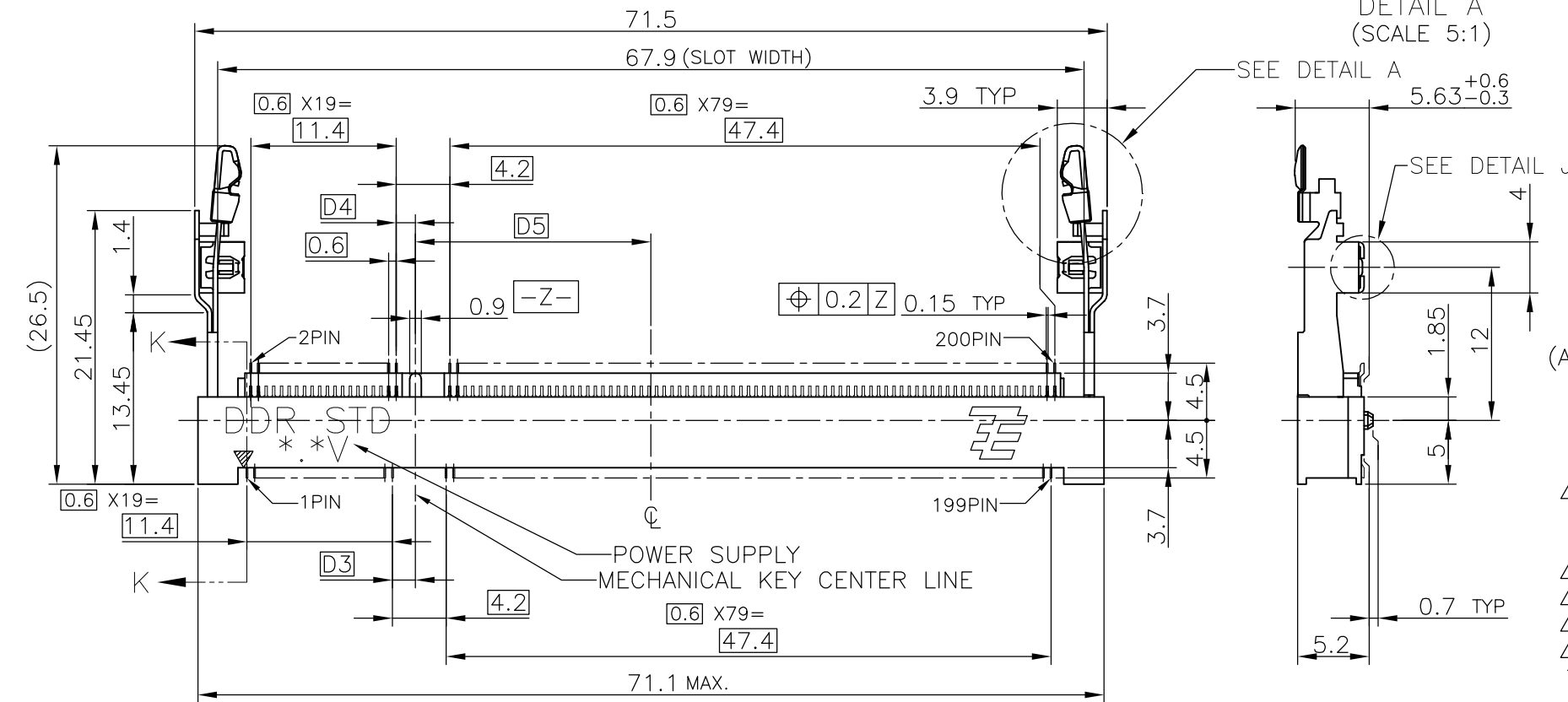
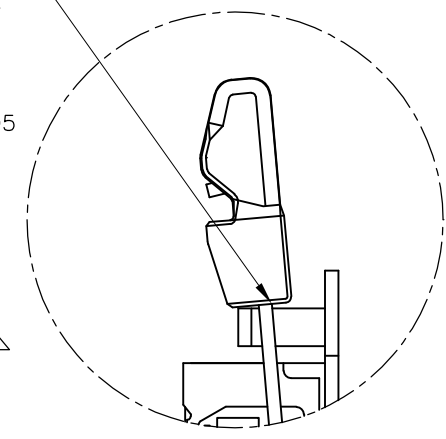
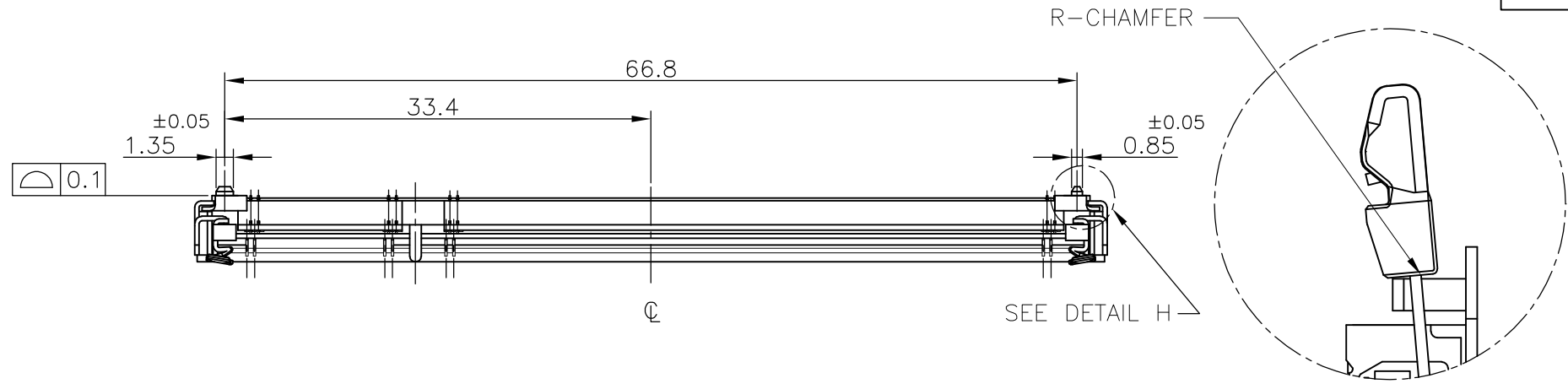
Email & Skype: info@chipsmall.com Web: www.chipsmall.com

Address: A1208, Overseas Decoration Building, #122 Zhenhua RD., Futian, Shenzhen, China

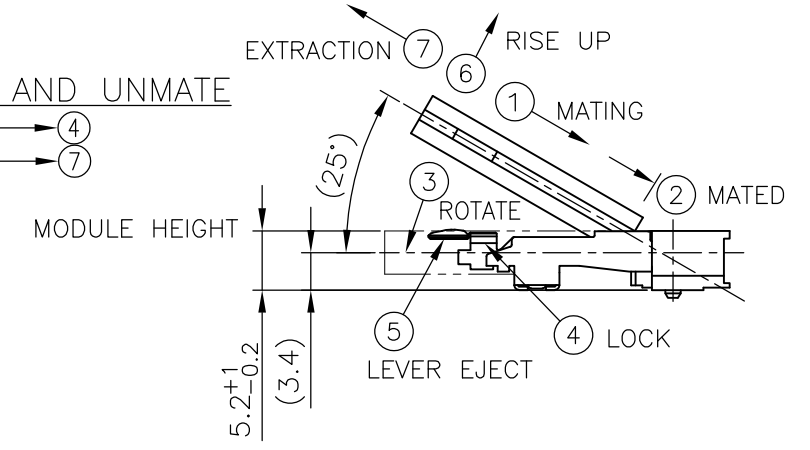
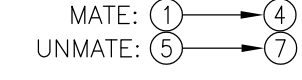


THIS DRAWING IS UNPUBLISHED. RELEASED FOR PUBLICATION OCT ,2001.
 © COPYRIGHT 2001 BY TYCO ELECTRONICS CORPORATION. ALL RIGHTS RESERVED.

LOC		DIST		REVISIONS		
P	LTR	DESCRIPTION	DATE	DWN	APVD	
ES						
	A1	ECR-10-014987	19JUL10	B.W	S.Y	

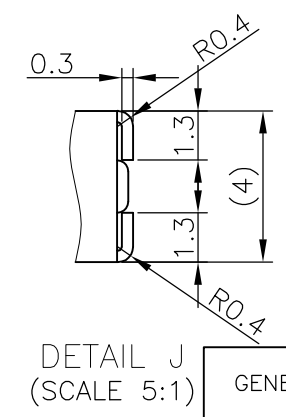
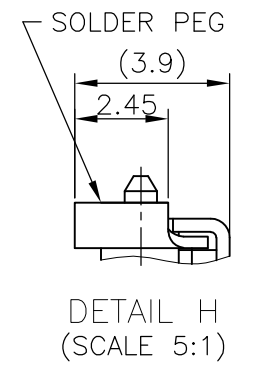
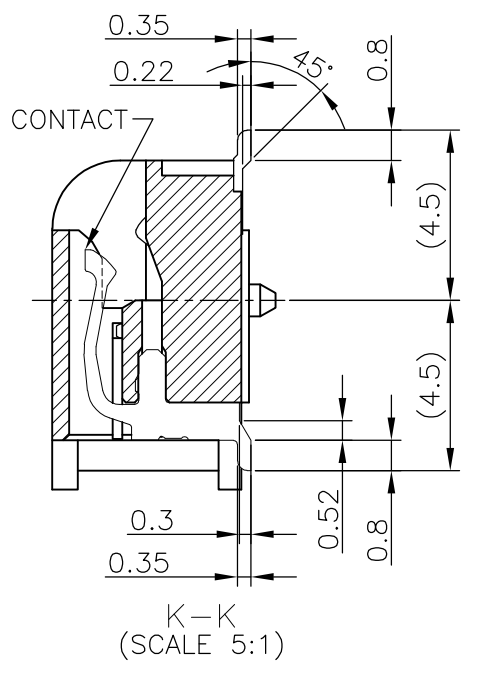


HOW TO MATE AND UNMATE



(APPLIED TO SHEET 1-2)

- 1. MATERIAL ; HOUSING: HIGH TEMPERATURE THERMO PLASTIC UL94V-0
 CONTACT: COPPER ARROY
 LOCK LEVER STAINLESS STEEL
 SOLDER PEG: COPPER ARROY
- △ FINISH ; CONTACT AREA: GOLD FLASH ON 0.0013MIN ALL OVER NICKEL.
 SOLDERING AREA: GOLD FLASH PLT.
 SOLDER PEG: TIN PLATING.
- △ MECHANICAL KEY POSITION OF CONNECTOR SEE TABLE.
- △ TOLERANCES NON-CUMULATIVE.
- △ NOT TO SCALE.
- △ [] INSIDE MUST BE RESIST COAT EXCEPT SOLDER PATTERN.
- 7. IF THE MODULE DOESN'T INSERT AND LOCK IN THE LATCH SMOOTHLY, OPEN WIDE BOTH LATCHES BY MANUAL. AND THE MODULE MUST BE INSERTED AND LOCKED IN THE LATCH.

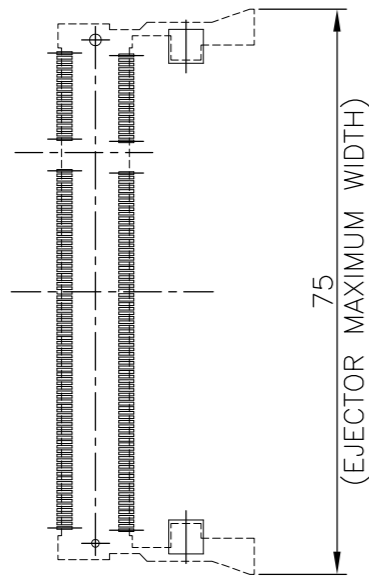


GENERAL TOLERANCE
 10 ≥: ±0.2
 30 ≥ >10: ±0.25
 100 ≥ >30: ±0.3
 ANGLES: ±3°

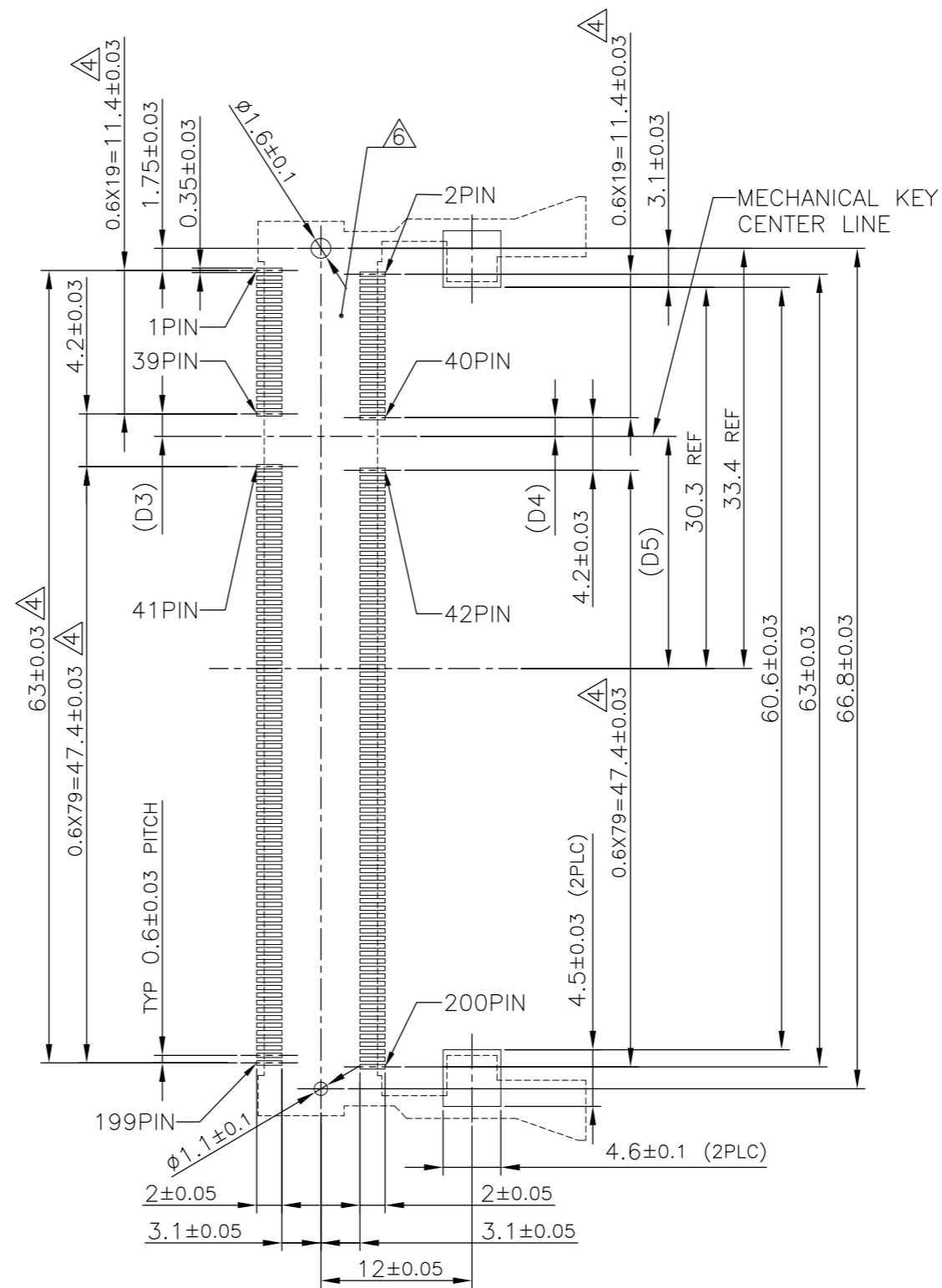
△	-	1.8V (DDR2)	17.55	2.4	2.7	200	1932179-1
PLATING	TOOLING STATUS	POWER SUPPLY	D5	D4	D3	POS	PART NO.
THIS DRAWING IS A CONTROLLED DOCUMENT.		DWN C.KEVIN 24SEP08	Tyco Electronics Corporation Shanghai, P.R.China, 200233				
DIMENSIONS: MM		CHK T.FUMIKURA 26SEP08					
TOLERANCES UNLESS OTHERWISE SPECIFIED:		APVD Y.STEVEN 27SEP08					
MATERIAL		PRODUCT SPEC					
0 PLC ±	1 PLC ±	2 PLC ±	NAME: DDR2 SODIMM SOCKET 0.6mm PITCH 200POS STANDARD PROFILE STANDARD TYPE (NEW PEG TYPE)				
3 PLC ±	4 PLC ±	ANGLES ±					
FINISH		APPLICATION SPEC	SIZE	CAGE CODE	DRAWING NO	RESTRICTED TO	
		WEIGHT -	A3	00779	C-1932179		
CUSTOMER DRAWING			SCALE 2:1	SHEET 1 OF 4	REV A1		

LOC		DIST		REVISIONS			DATE	DWN	APVD
ES				P	LTR	DESCRIPTION			
					-	SEE SHEET 1	-	-	-

REFERENCE P.C.BOARD PATTERN LAYOUT (CONNECTOR MOUNTING SIDE)



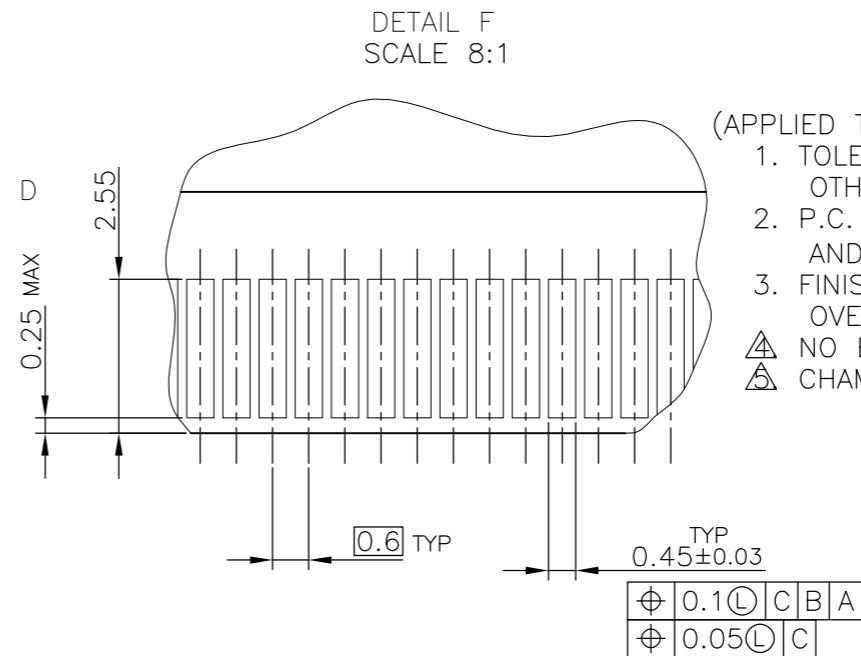
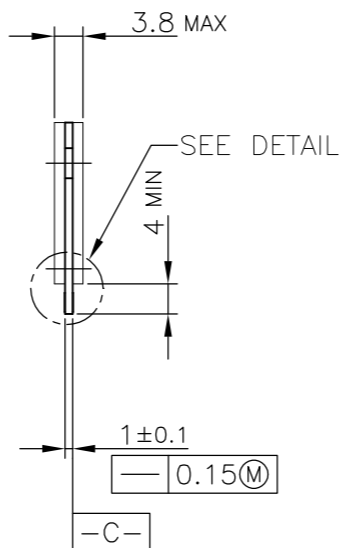
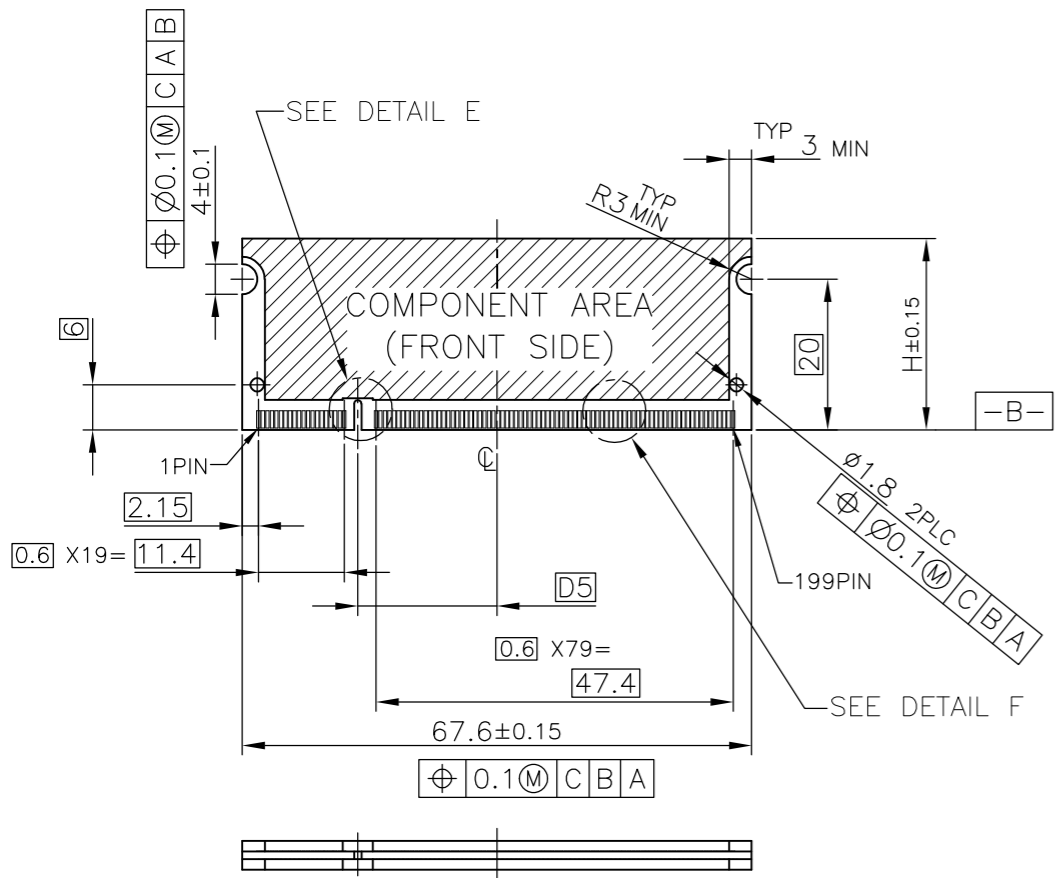
REAL SIZE (SCALE 1:1)



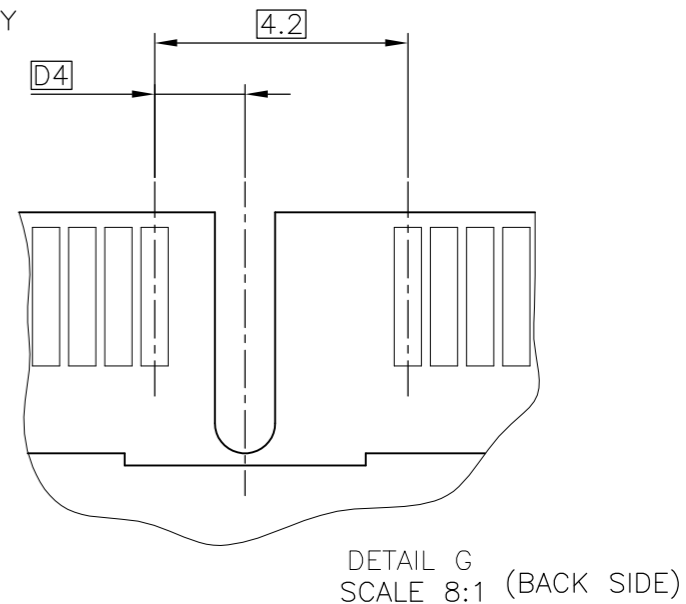
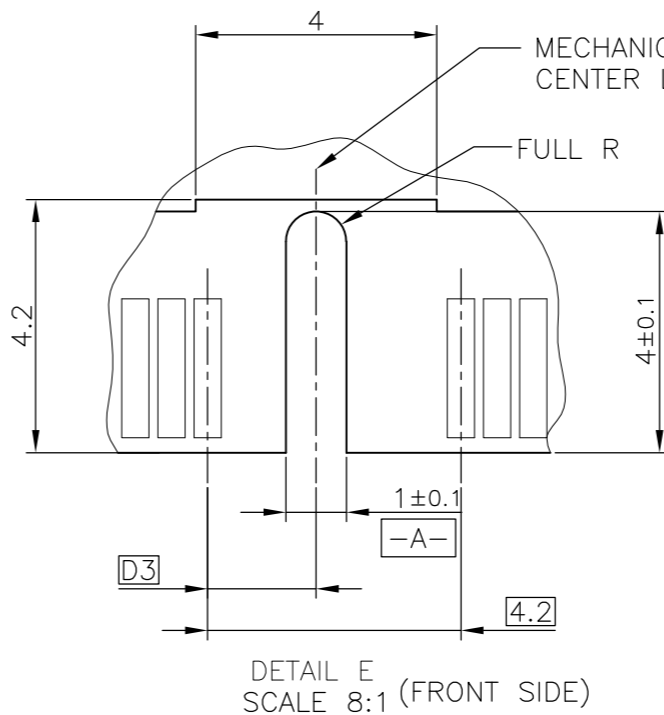
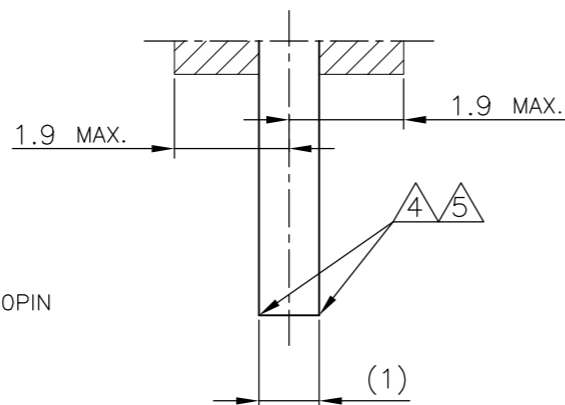
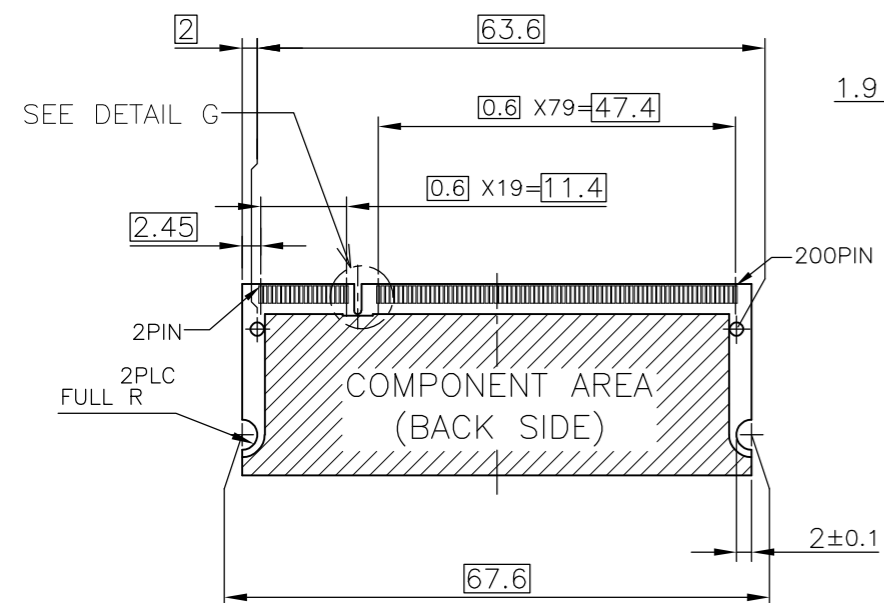
1.8V	17.55	2.4	2.7
POWER SUPPLY	D5	D4	D3

THIS DRAWING IS A CONTROLLED DOCUMENT.		DWN	Tyco Electronics Corporation Shanghai, P.R.China, 200233	
DIMENSIONS: MM		CHK		
TOLERANCES UNLESS OTHERWISE SPECIFIED:		APVD	NAME	
0 PLC ± 1 PLC ± 2 PLC ± 3 PLC ± 4 PLC ± ANGLES ± FINISH ±		PRODUCT SPEC	DDR2 SODIMM SOCKET 0.6mm PITCH 200POS STANDARD PROFILE STANDARD TYPE (NEW PEG TYPE)	
MATERIAL		APPLICATION SPEC	SIZE	RESTRICTED TO
		WEIGHT	A3 00779	
		CUSTOMER DRAWING	DRAWING NO. C-1932179	
		SCALE	SHEET 2 OF 4 REV A1	
			2:1	

LOC		DIST		REVISIONS				
P	LTR	DESCRIPTION			DATE	DWN	APVD	
		SEE SHEET 1						



- (APPLIED TO SHEET 3)
1. TOLERANCES ON ALL DIMENSIONS ±0.15 UNLESS OTHERWISE SPECIFIED.
 2. P.C. BOARD THICKNESS APPLIES ACROSS TABS AND INCLUDES PLATING AND/OR METALIZATION.
 3. FINISH OF PAD : GOLD PLATING 0.00076 MIN. OVER Ni PLATING 0.002MIN.
- △ NO BURR
- △ CHAMFER 0.25 MAX x 45° IF EXIST.

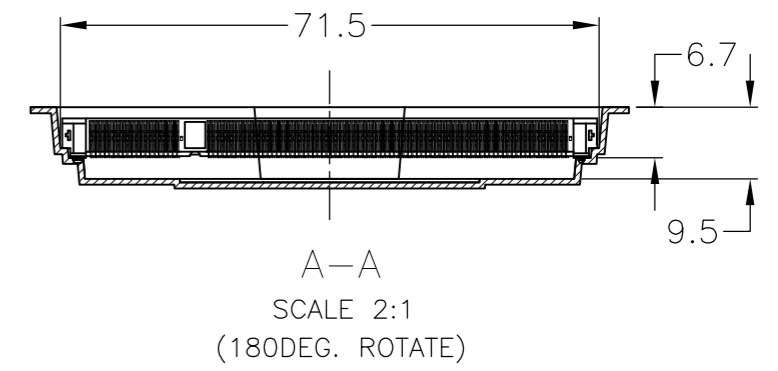
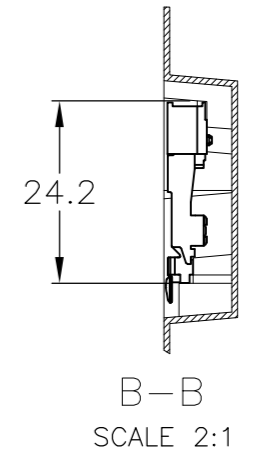
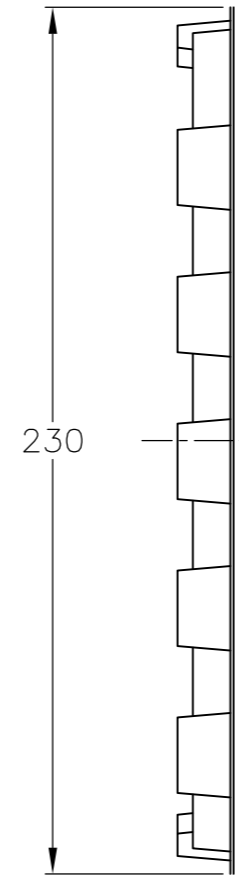
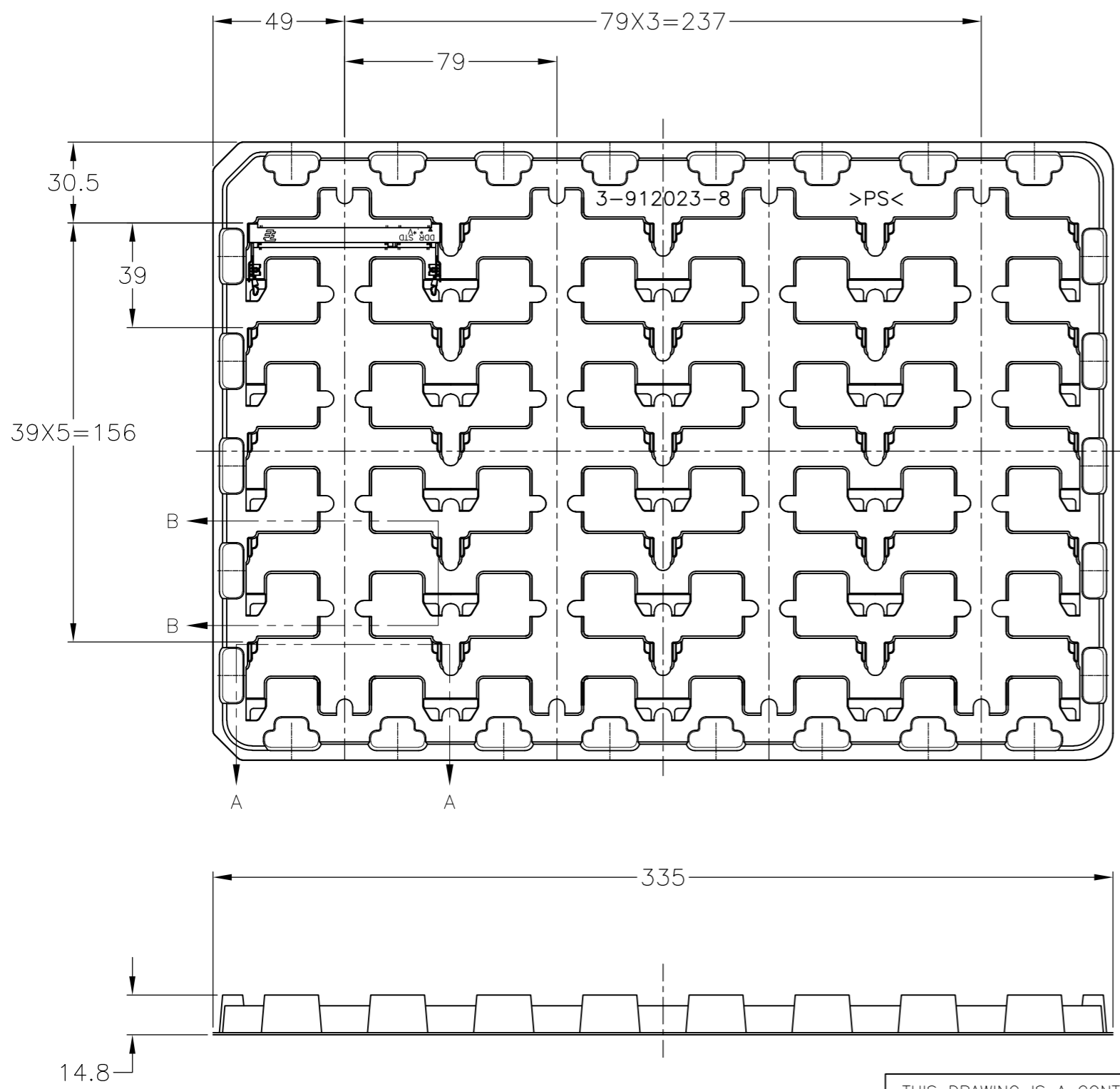


RECOMMENDED MATING P.C.B CONFIGURATION

THIS DRAWING IS A CONTROLLED DOCUMENT.		DWN	31.75	1.8V	17.55	2.4	2.7
DIMENSIONS: MM		CHK	H	POWER SUPPLY			
TOLERANCES UNLESS OTHERWISE SPECIFIED:		APVD	Tyco Electronics Corporation Shanghai, P.R.China, 200233				
0 PLC ±		PRODUCT SPEC	NAME				
1 PLC ±		APPLICATION SPEC	DDR2 SODIMM SOCKET 0.6mm PITCH 200POS STANDARD PROFILE STANDARD TYPE (NEW PEG TYPE)				
2 PLC ±		WEIGHT	SIZE	CAGE CODE	DRAWING NO	RESTRICTED TO	
3 PLC ±		CUSTOMER DRAWING	A3	00779	C-1932179	-	
4 PLC ±			SCALE	SHEET	OF	REV	
ANGLES ±			2:1	3	4	A1	
FINISH							

THIS DRAWING IS UNPUBLISHED. RELEASED FOR PUBLICATION OCT, 2001.
 © COPYRIGHT 2001 BY TYCO ELECTRONICS CORPORATION. ALL RIGHTS RESERVED.

LOC	DIST	REVISIONS			
P	LTR	DESCRIPTION	DATE	DWN	APVD
ES	/	SEE SHEET 1	-	-	-



(APPLIED TO SHEET 4)
 1 THE DIRECTION OF EACH CONNECTOR ON A TRAY IS REFERRED TO THIS DRAWING.
 2 GENERAL TOLERANCE: ±0.5

THIS DRAWING IS A CONTROLLED DOCUMENT.	
DIMENSIONS: MM	TOLERANCES UNLESS OTHERWISE SPECIFIED:
	0 PLC ±
	1 PLC ±
	2 PLC ±
	3 PLC ±
	4 PLC ±
	ANGLES ±
MATERIAL	FINISH

DWN	Tyco Electronics Corporation Shanghai, P.R.China, 200233		
CHK	NAME		
APVD	DDR2 SODIMM SOCKET 0.6mm PITCH 200POS STANDARD PROFILE STANDARD TYPE (NEW PEG TYPE)		
PRODUCT SPEC	SIZE	CAGE CODE	DRAWING NO
APPLICATION SPEC	A3	00779	1932179
WEIGHT	CUSTOMER DRAWING		RESTRICTED TO
	SCALE	SHEET	REV
	1:2	4 OF 4	A1