



Chipsmall Limited consists of a professional team with an average of over 10 year of expertise in the distribution of electronic components. Based in Hongkong, we have already established firm and mutual-benefit business relationships with customers from,Europe,America and south Asia,supplying obsolete and hard-to-find components to meet their specific needs.

With the principle of "Quality Parts,Customers Priority,Honest Operation,and Considerate Service",our business mainly focus on the distribution of electronic components. Line cards we deal with include Microchip,ALPS,ROHM,Xilinx,Pulse,ON,Everlight and Freescale. Main products comprise IC,Modules,Potentiometer,IC Socket,Relay,Connector.Our parts cover such applications as commercial,industrial, and automotives areas.

We are looking forward to setting up business relationship with you and hope to provide you with the best service and solution. Let us make a better world for our industry!



## Contact us

Tel: +86-755-8981 8866 Fax: +86-755-8427 6832

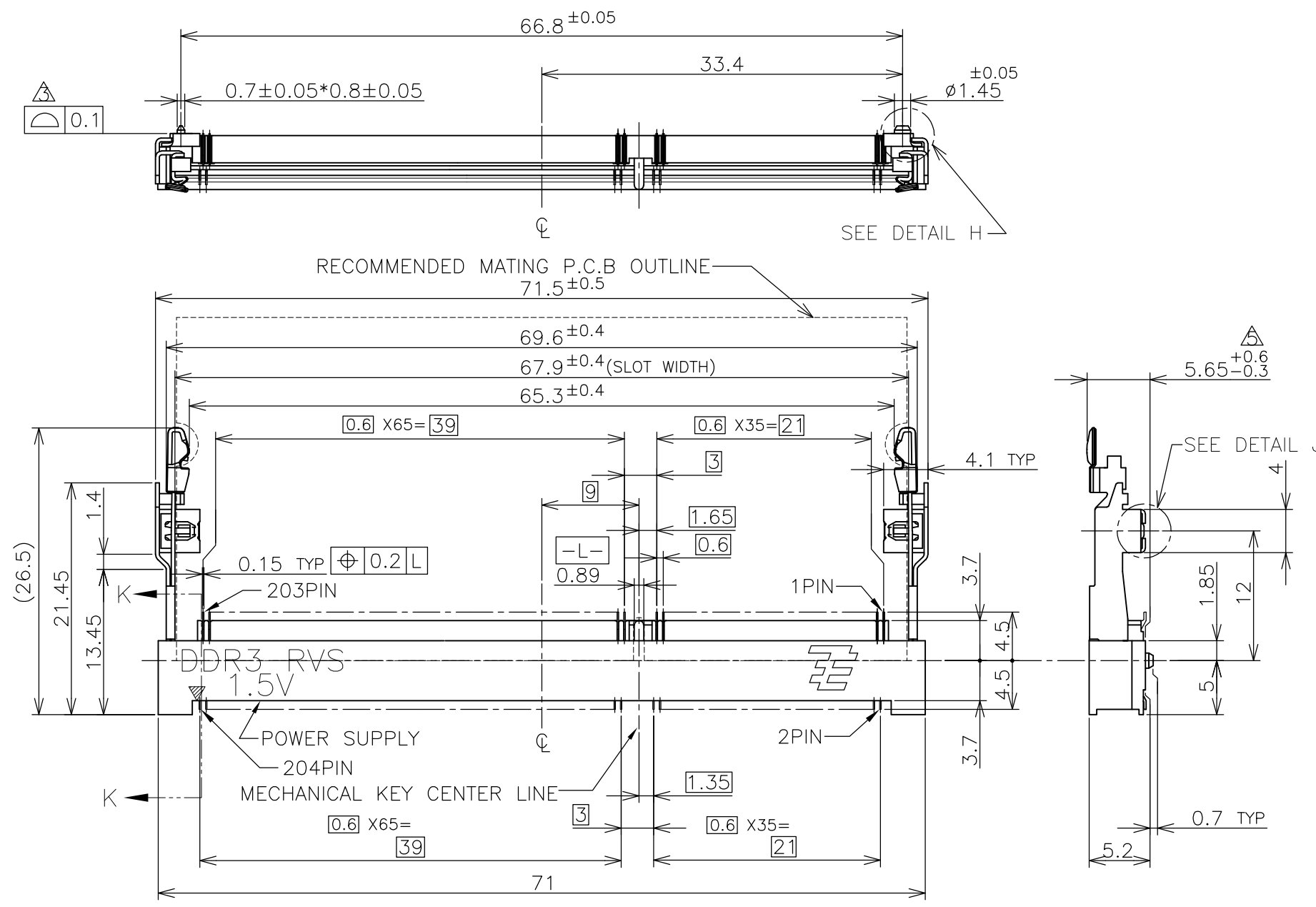
Email & Skype: info@chipsmall.com Web: www.chipsmall.com

Address: A1208, Overseas Decoration Building, #122 Zhenhua RD., Futian, Shenzhen, China



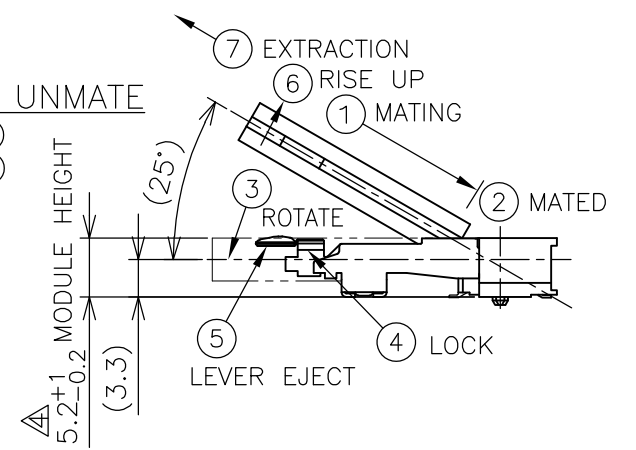
THIS DRAWING IS UNPUBLISHED. RELEASED FOR PUBLICATION SEP ,2007.  
 © COPYRIGHT 2007 By - ALL RIGHTS RESERVED.

LOC	DIST	REVISIONS			
P	LTR	DESCRIPTION	DATE	DWN	APVD
ES					
	C	REVISED PER ECR-12-004002	01MAR2012	W.W	C.W



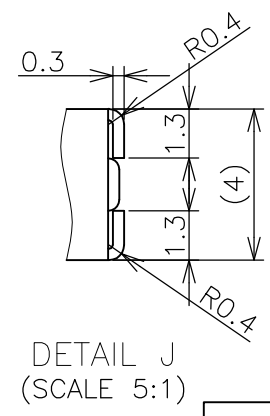
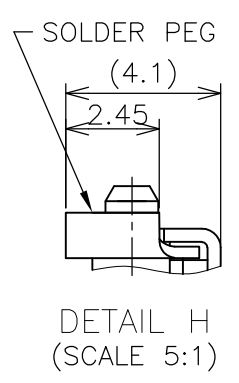
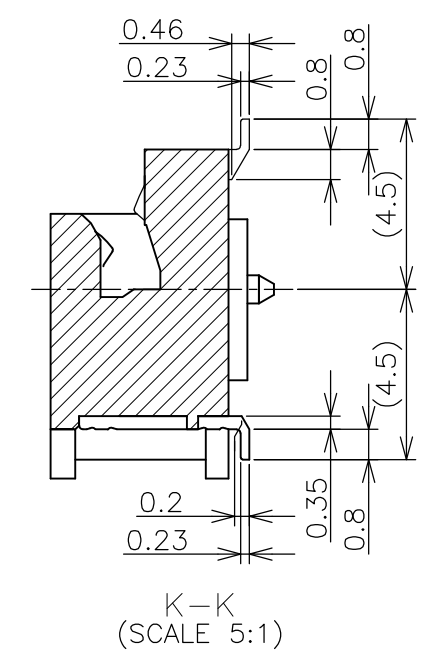
HOW TO MATE AND UNMATE

- MATE: ① → ④
- UNMATE: ⑤ → ⑦



(APPLIED TO SHEET 1-2)

1. MATERIAL ; HOUSING: HIGH TEMPERATURE THERMO PLASTIC UL94V-0  
 COLOR: SEE TABLE  
 CONTACT: COPPER ARROY  
 LOCK LEVER: STAINLESS STEEL  
 PEG: COPPER ARROY
  - 2-1. FINISH ; CONTACT AREA: GOLD FLASH  
 ALL OVER NICKEL.  
 SOLDERING AREA: GOLD FLASH PLATING  
 PEG: MATTE TIN PLATING.
  - 2-2. FINISH ; CONTACT AREA: 0.000254MIN GOLD  
 ALL OVER NICKEL.  
 SOLDERING AREA: GOLD FLASH PLATING  
 PEG: MATTE TIN PLATING.
- △ COPLANARITY: 0.1 MAX. (BEFORE SOLDERING)  
 △ THE FLOATING VALUE BY SOLDERING IS NOT INCLUDED.  
 △ NOT MATING CONDITION.
6. IF THE MODULE DOESN'T INSERT AND LOCK IN THE LATCH SMOOTHLY,  
 OPEN WIDE BOTH LATCHES BY MANUAL. AND THE MODULE MUST BE  
 INSERTED AND LOCKED IN THE LATCH.



GENERAL TOLERANCE  
 10 ≥ : ±0.2  
 30 ≥ > 10 : ±0.25  
 100 ≥ > 30 : ±0.3  
 ANGLES : ±3°

AVAILABLE	EMBOSS (SEE SHEET 4)	WITHBOSS	BLACK	NOTE 2-2	1.5V	204	1932208-2
AVAILABLE	EMBOSS (SEE SHEET 4)	WITHBOSS	BLACK	NOTE 2-1	1.5V	204	1932208-1
TOOLING STATUS	PACKAGING TYPE	REMARK	HOUSING COLOR	FINISH	POWER SUPPLY	POS	PART NO.

THIS DRAWING IS A CONTROLLED DOCUMENT.

DWN	B.WONG	25JUN09	 TE Connectivity		
CHK	W.COREL	25JUN09			
APVD	Y.STEVEN	25JUN09			
NAME					
PRODUCT SPEC	108-78493		DDR3 SODIMM SOCKET 0.6mm PITCH 204POS 5.2mm HEIGHT REVERSE TYPE		
APPLICATION SPEC	SIZE	CAGE CODE	DRAWING NO	RESTRICTED TO	
WEIGHT	4.4g	A300779	C-1932208	-	
CUSTOMER DRAWING			SCALE	SHEET	REV
			2:1	1 OF 4	C

THIS DRAWING IS UNPUBLISHED.

RELEASED FOR PUBLICATION

SEP , 2007.

© COPYRIGHT 2007 By -

ALL RIGHTS RESERVED.

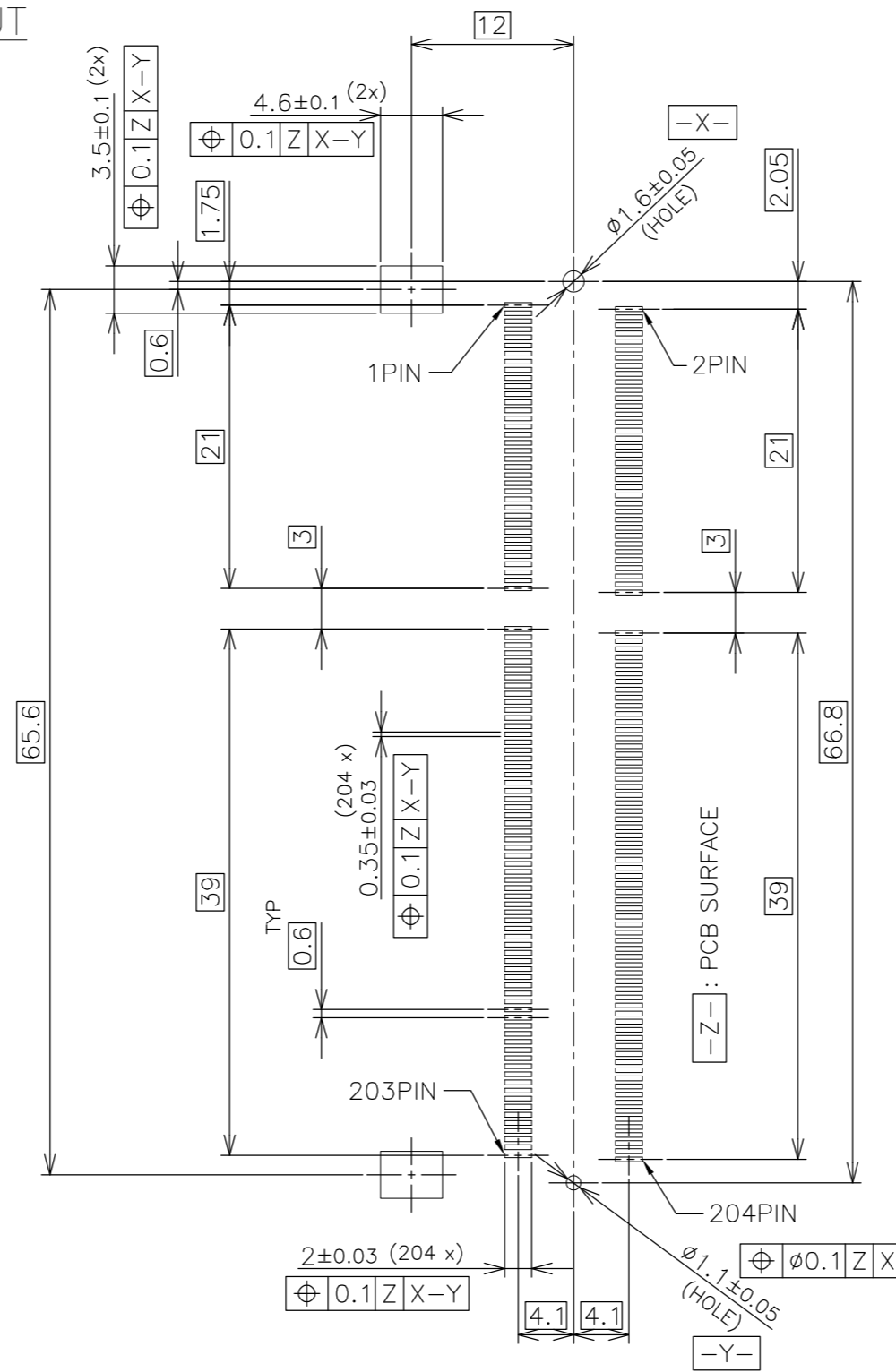
LOC  
ES

DIST  
/


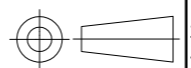
REVISIONS

P	LTR	DESCRIPTION	DATE	DWN	APVD
-	-	SEE SHEET 1	-	-	-

# REFERENCE P.C.BOARD PATTERN LAYOUT (CONNECTOR MOUNTING SIDE)

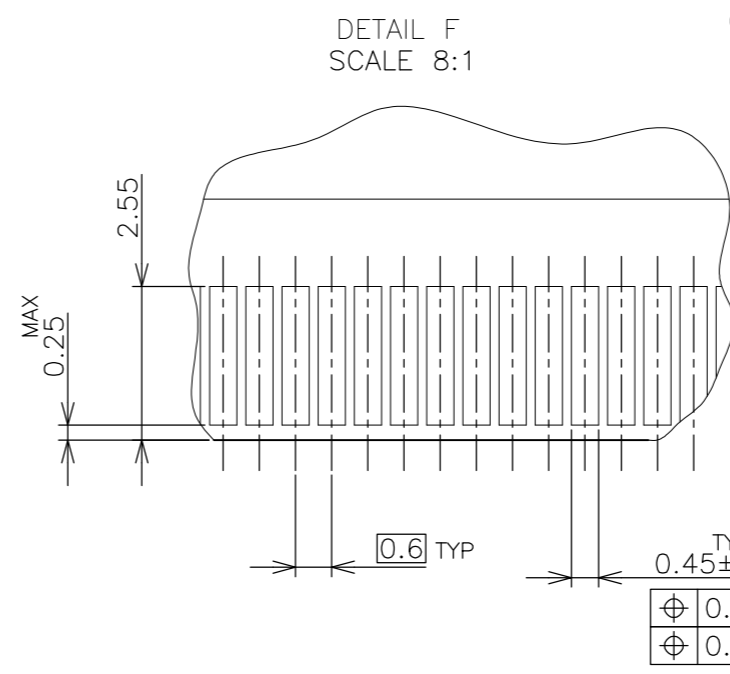
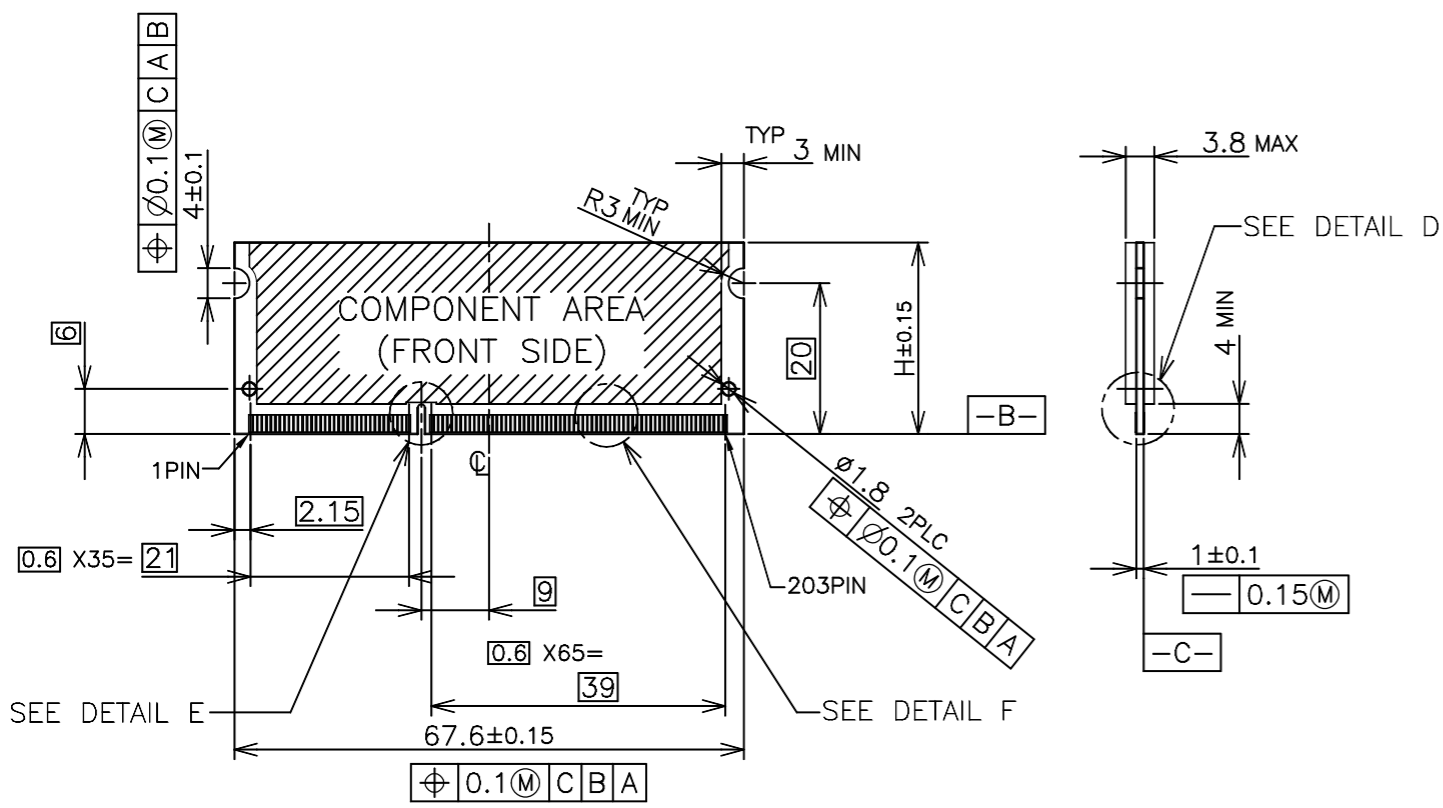


RVS TYPE

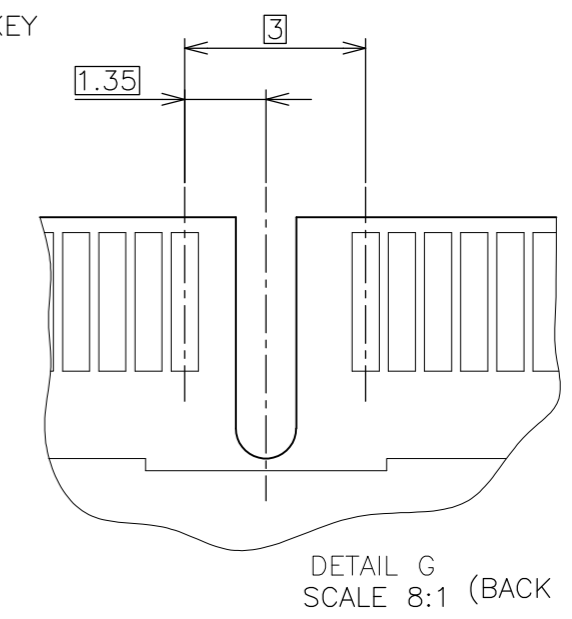
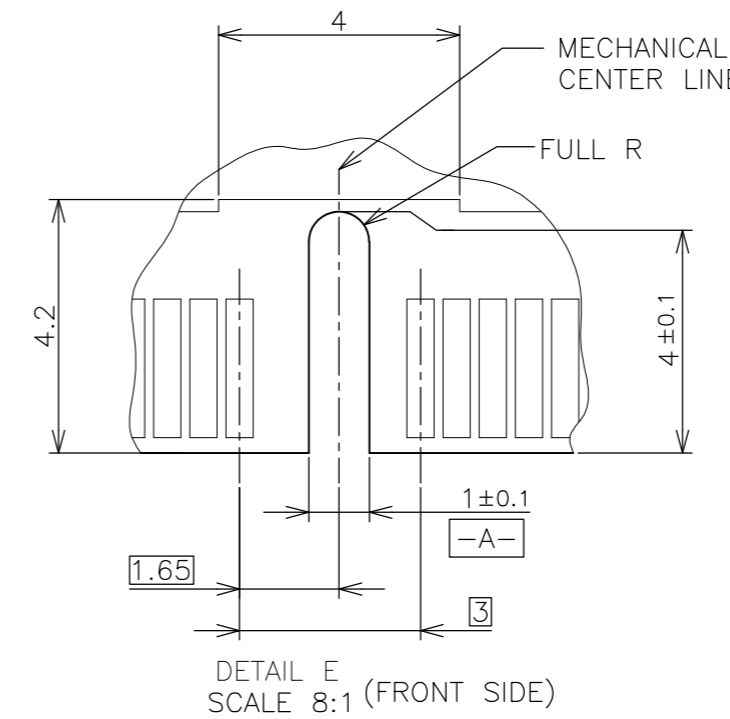
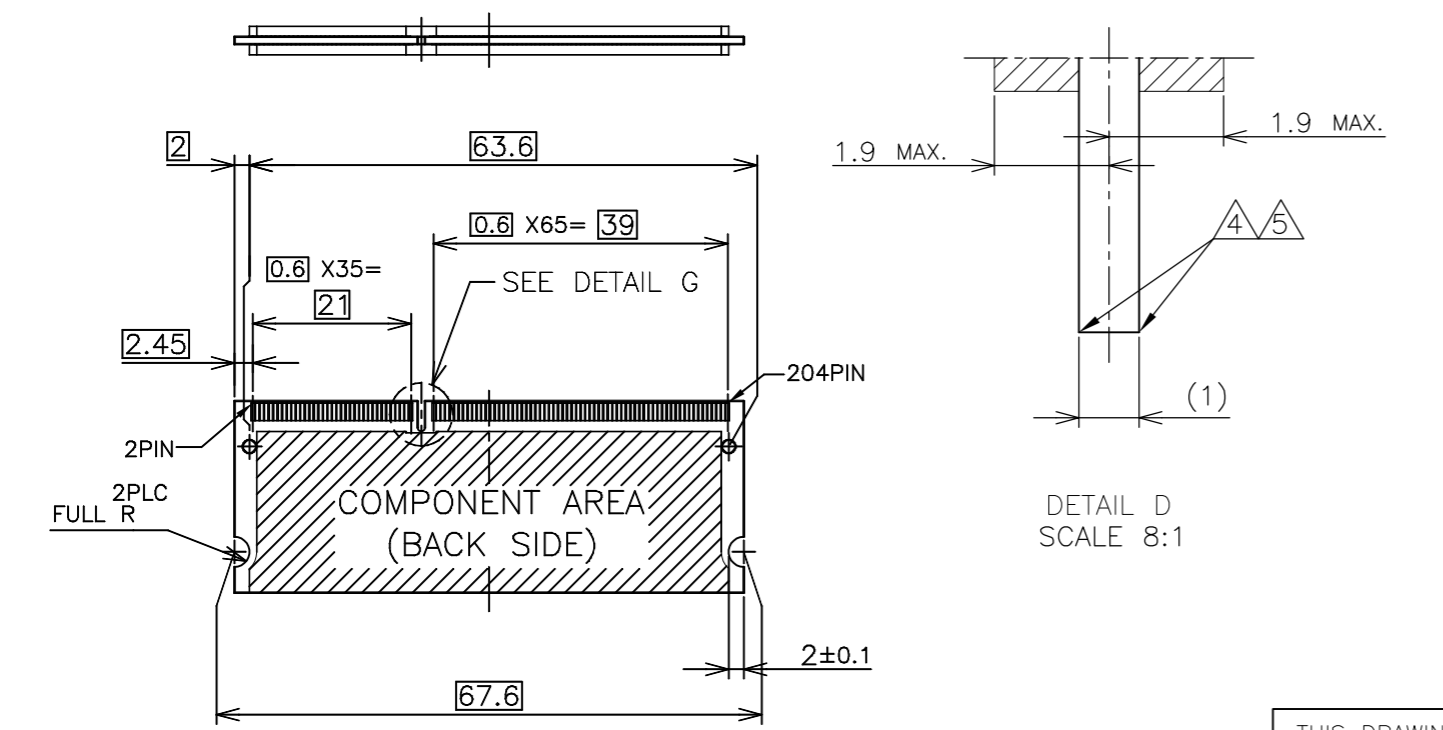
THIS DRAWING IS A CONTROLLED DOCUMENT.		DWN		 <b>TE Connectivity</b>			
DIMENSIONS: MM		CHK				NAME	
		APVD				DDR3 SODIMM SOCKET 0.6mm PITCH 204POS 5.2mm HEIGHT REVERSE TYPE	
TOLERANCES UNLESS OTHERWISE SPECIFIED:		PRODUCT SPEC				RESTRICTED TO	
MATERIAL		FINISH		SIZE			
0 PLC ±		1 PLC ±		CAGE CODE			
1 PLC ±		2 PLC ±		DRAWING NO			
2 PLC ±		3 PLC ±		A3 00779 C-1932208			
3 PLC ±		4 PLC ±		SCALE			
4 PLC ±		ANGLES ±		2:1			
FINISH		WEIGHT		SHEET			
		CUSTOMER DRAWING		2 OF 4			
				REV			
				C			

P	LTR	DESCRIPTION	DATE	DWN	APVD
-	-	SEE SHEET 1	-	-	-

# REFERENCE MATING P.C.B CONFIGURATION



- (APPLIED TO SHEET 3)
1. TOLERANCES ON ALL DIMENSIONS  $\pm 0.15$  UNLESS OTHERWISE SPECIFIED.
  2. P.C. BOARD THICKNESS APPLIES ACROSS TABS AND INCLUDES PLATING AND/OR METALIZATION.
  3. FINISH OF PAD : GOLD PLATING  $0.00076$  MIN. OVER Ni PLATING  $0.002$  MIN.
- $\triangle$  NO BURR  
 $\triangle$  CHAMFER  $0.25$  MAX  $\times 45^\circ$  IF EXIST.



30	CA
31.75	BA
25.4	AA
H	SDRAM VARIATIONS

THIS DRAWING IS A CONTROLLED DOCUMENT.		DWN		TE Connectivity	
DIMENSIONS: MM		CHK			
		APVD			
TOLERANCES UNLESS OTHERWISE SPECIFIED: 0 PLC $\pm$ 1 PLC $\pm$ 2 PLC $\pm$ 3 PLC $\pm$ 4 PLC $\pm$ ANGLES $\pm$ FINISH $\pm$		NAME			
MATERIAL		PRODUCT SPEC		DDR3 SODIMM SOCKET 0.6mm PITCH 204POS 5.2mm HEIGHT REVERSE TYPE	
		APPLICATION SPEC		SIZE CAGE CODE DRAWING NO RESTRICTED TO A3 00779 C-1932208 -	
		WEIGHT		SCALE 2:1 SHEET 3 OF 4 REV C	
		CUSTOMER DRAWING			

THIS DRAWING IS UNPUBLISHED.

RELEASED FOR PUBLICATION SEP, 2007.

© COPYRIGHT 2007 By -

ALL RIGHTS RESERVED.

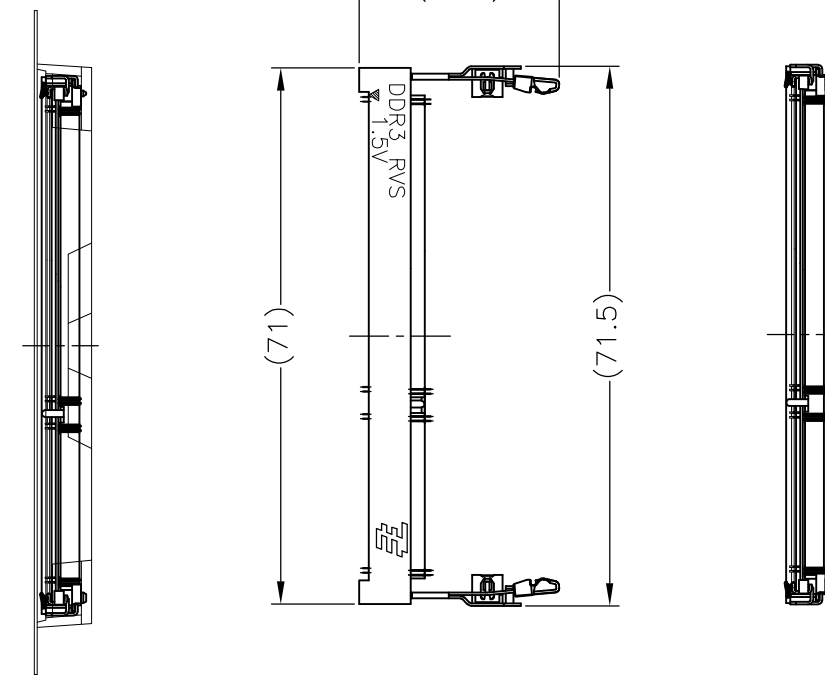
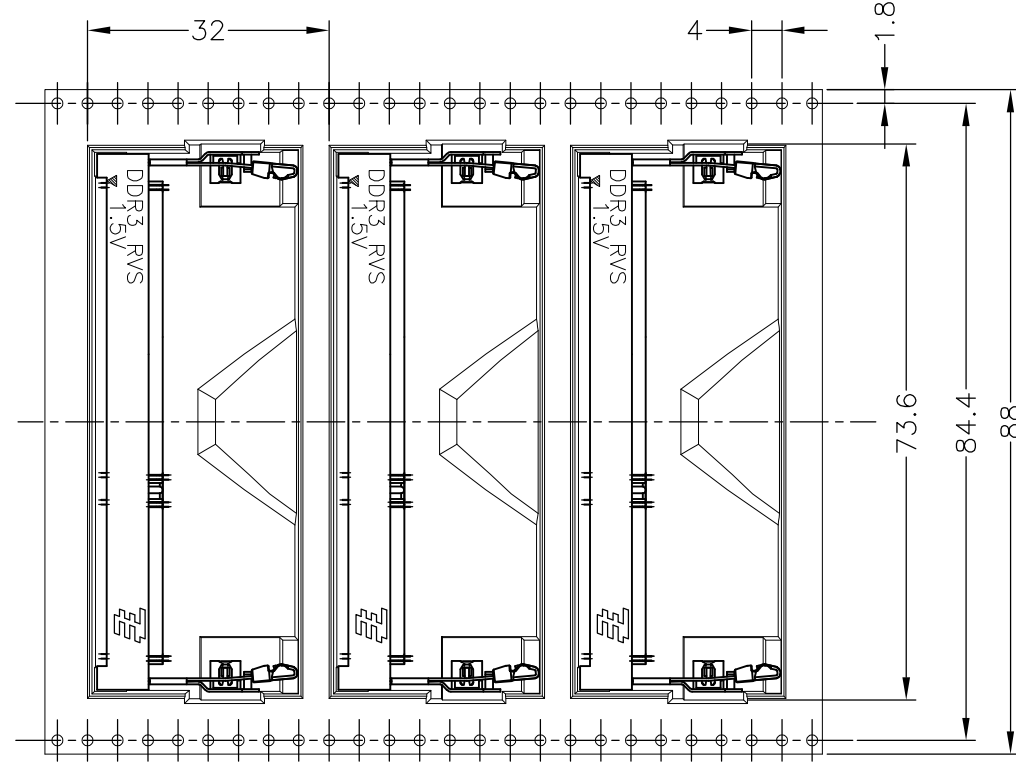
LOC  
ES

DIST  
/

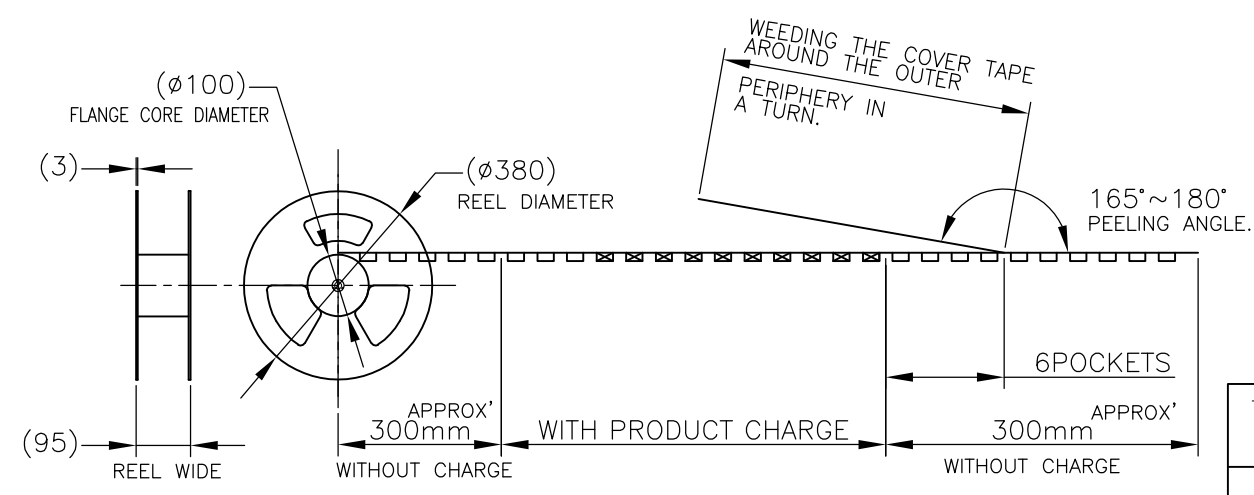
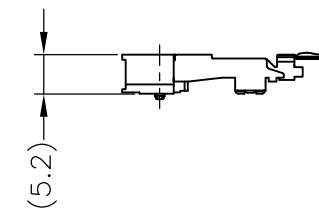
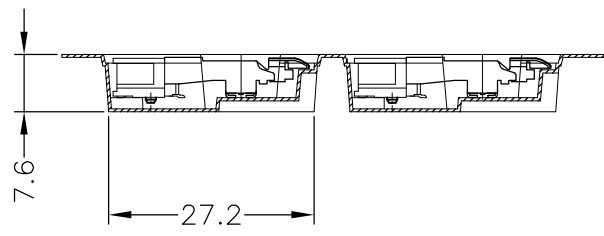
REVISIONS

P	LTR	DESCRIPTION	DATE	DWN	APVD
-	-	SEE SHEET 1	-	-	-

DIRECTION OFF TOP OF REEL →



- (APPLIED TO SHEET 4)
1. THE DIRECTION OF EACH CONNECTOR ON A EMBOSS IS REFERRED TO THIS DRAWING.
  2. GENERAL TOLERANCE:  $\pm 0.5$ ,  $\pm 3^\circ$



FREE SCALE

THIS DRAWING IS A CONTROLLED DOCUMENT.

DIMENSIONS: MM	TOLERANCES UNLESS OTHERWISE SPECIFIED:
	0 PLC $\pm 0.5$
	1 PLC $\pm 0.5$
	2 PLC $\pm 0.5$
	3 PLC $\pm 0.5$
	4 PLC $\pm 0.5$
	ANGLES $\pm 3^\circ$
MATERIAL	FINISH

DWN
CHK
APVD
PRODUCT SPEC
APPLICATION SPEC
WEIGHT

DWN		TE Connectivity	
CHK		NAME	
APVD		DDR3 SODIMM SOCKET	
PRODUCT SPEC		0.6mm PITCH 204POS	
APPLICATION SPEC		5.2mm HEIGHT REVERSE TYPE	
SIZE	CAGE CODE	DRAWING NO	RESTRICTED TO
A3	00779	C-1932208	-

300EA	1932208-2
300EA	1932208-1
QTY/REEL	PART NO.

CUSTOMER DRAWING SCALE 1:2 SHEET 4 OF 4 REV C