



Chipsmall Limited consists of a professional team with an average of over 10 year of expertise in the distribution of electronic components. Based in Hongkong, we have already established firm and mutual-benefit business relationships with customers from,Europe,America and south Asia,supplying obsolete and hard-to-find components to meet their specific needs.

With the principle of "Quality Parts,Customers Priority,Honest Operation,and Considerate Service",our business mainly focus on the distribution of electronic components. Line cards we deal with include Microchip,ALPS,ROHM,Xilinx,Pulse,ON,Everlight and Freescale. Main products comprise IC,Modules,Potentiometer,IC Socket,Relay,Connector.Our parts cover such applications as commercial,industrial, and automotives areas.

We are looking forward to setting up business relationship with you and hope to provide you with the best service and solution. Let us make a better world for our industry!



Contact us

Tel: +86-755-8981 8866 Fax: +86-755-8427 6832

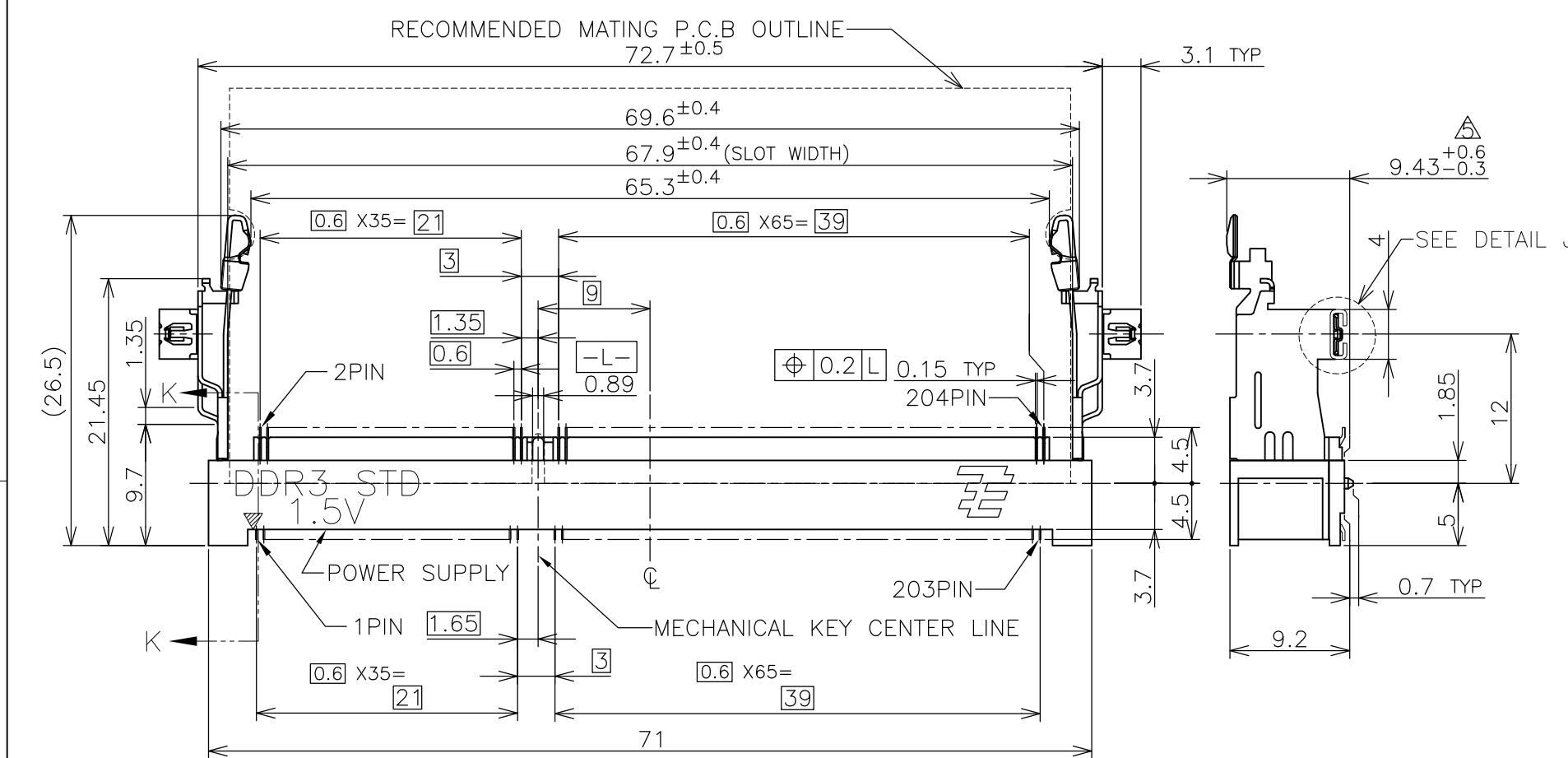
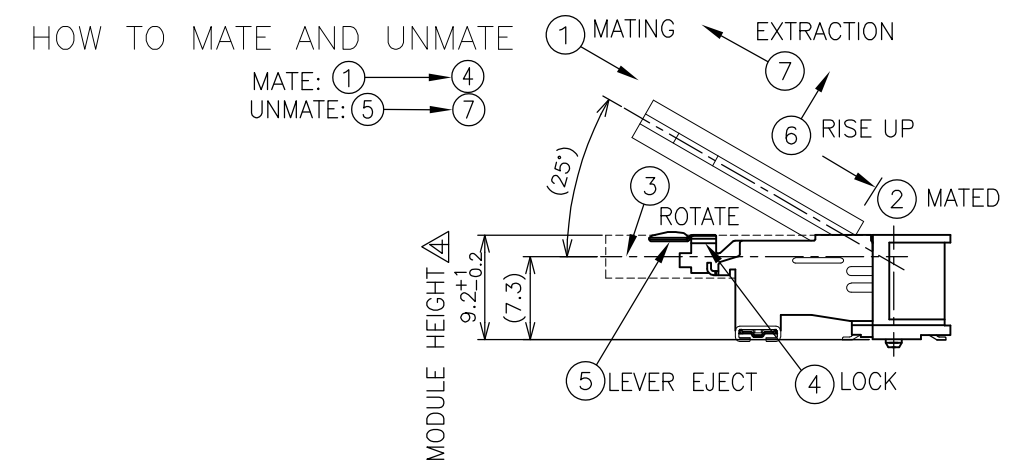
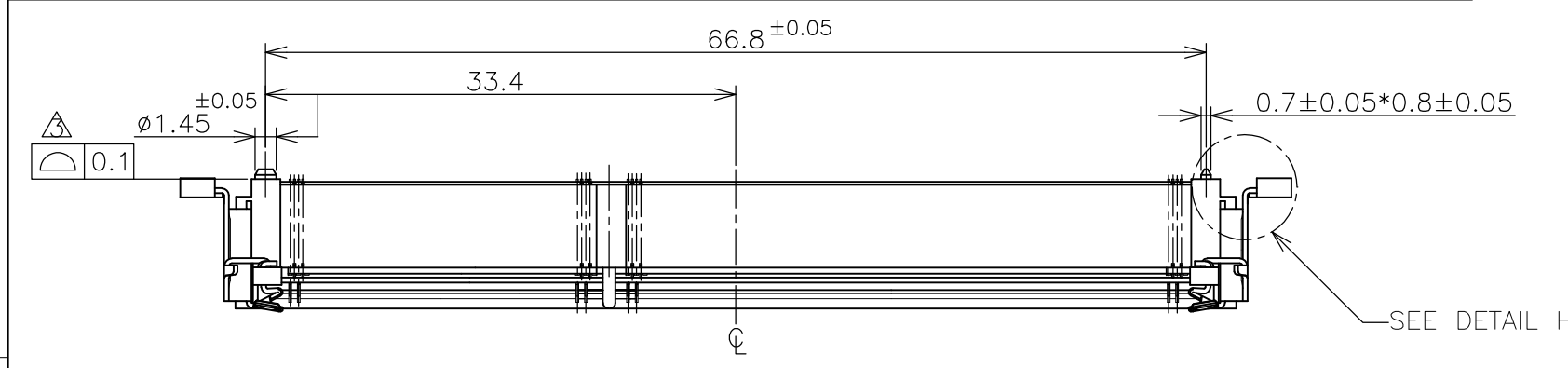
Email & Skype: info@chipsmall.com Web: www.chipsmall.com

Address: A1208, Overseas Decoration Building, #122 Zhenhua RD., Futian, Shenzhen, China

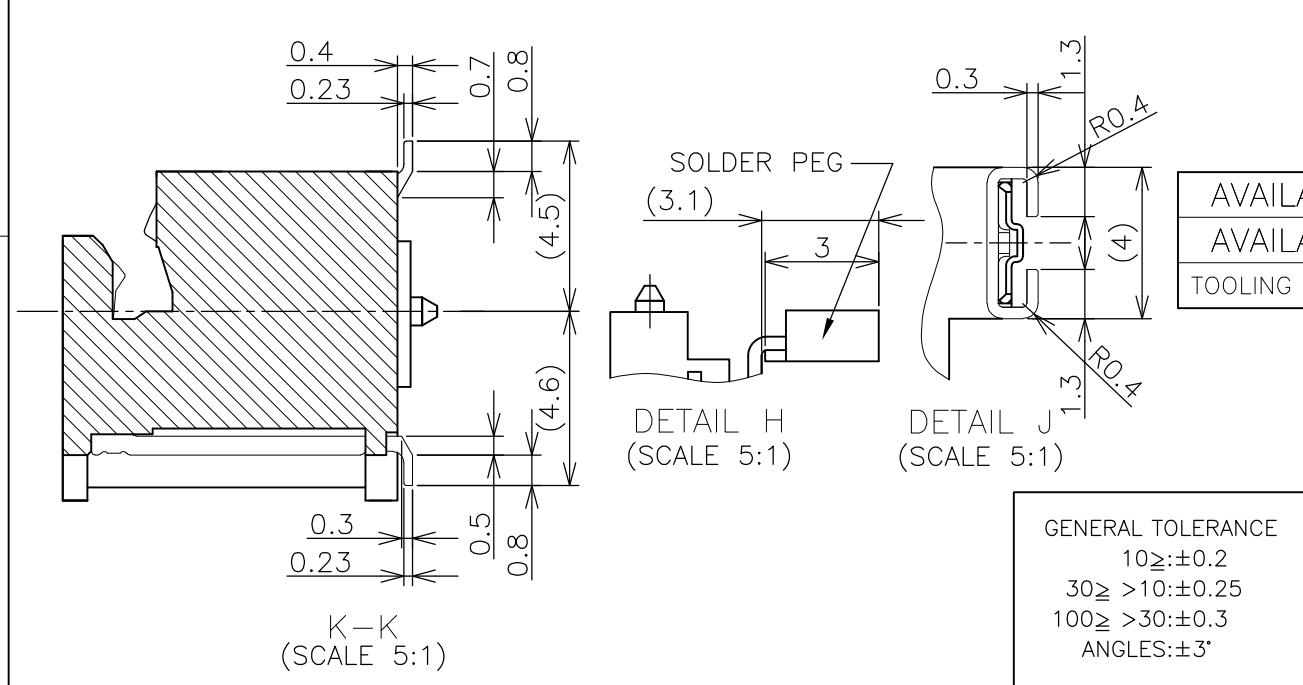


THIS DRAWING IS UNPUBLISHED. RELEASED FOR PUBLICATION SEP ,2007.
 © COPYRIGHT 2007 By - ALL RIGHTS RESERVED.

LOC	DIST	REVISIONS					
ES		P	LTR	DESCRIPTION	DATE	DWN	APVD
		C		REVISED PER ECR-12-004002	01MAR2012	W.W	C.W



- (APPLIED TO SHEET 1-2)
- 1. MATERIAL ; HOUSING: HIGH TEMPERATURE THERMO PLASTIC UL94V-0
 COLOR: SEE TABLE
 CONTACT: COPPER ARROY
 LOCK LEVER: STAINLESS STEEL
 PEG: COPPER ARROY
 - 2-1. FINISH ; CONTACT AREA: GOLD FLASH
 ALL OVER NICKEL.
 SOLDERING AREA: GOLD FLASH PLATING
 PEG: MATTE TIN PLATING.
 - 2-2. FINISH ; CONTACT AREA: 0.000254MIN GOLD
 ALL OVER NICKEL.
 SOLDERING AREA: GOLD FLASH PLATING
 PEG: MATTE TIN PLATING.
- ⚠ COPLANARITY: 0.1 MAX. (BEFORE SOLDERING)
 ⚠ THE FLOATING VALUE BY SOLDERING IS NOT INCLUDED.
 ⚠ NOT MATING CONDITION.
6. IF THE MODULE DOESN'T INSERT AND LOCK IN THE LATCH SMOOTHLY, OPEN WIDE BOTH LATCHES BY MANUAL. AND THE MODULE MUST BE INSERTED AND LOCKED IN THE LATCH.



GENERAL TOLERANCE
 10≥:±0.2
 30≥ >10:±0.25
 100≥ >30:±0.3
 ANGLES:±3°

AVAILABLE	EMBOSS (SEE SHEET 4)	WITHBOSS	BLACK	NOTE 2-2	1.5V	204	1932209-2
AVAILABLE	EMBOSS (SEE SHEET 4)	WITHBOSS	BLACK	NOTE 2-1	1.5V	204	1932209-1
TOOLING STATUS	PACKAGING TYPE	REMARK	HOUSING COLOR	FINISH	POWER SUPPLY	POS	PART NO.

THIS DRAWING IS A CONTROLLED DOCUMENT.

DWN	C.KEVIN	19NOV2008
CHK	W.COREL	13JAN2009
APVD	Y.STEVEN	13JAN2009
PRODUCT SPEC	NAME	
APPLICATION SPEC	108-78493	
WEIGHT	6.60 g	RESTRICTED TO
CUSTOMER DRAWING	SCALE 2:1	SHEET 1 OF 4

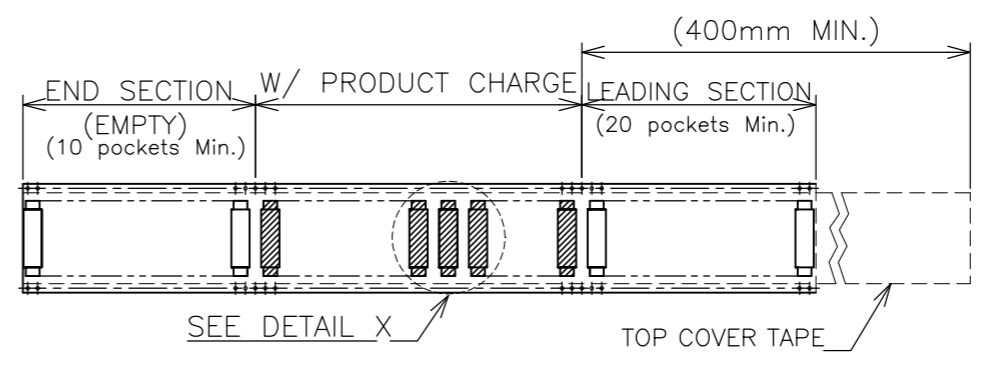
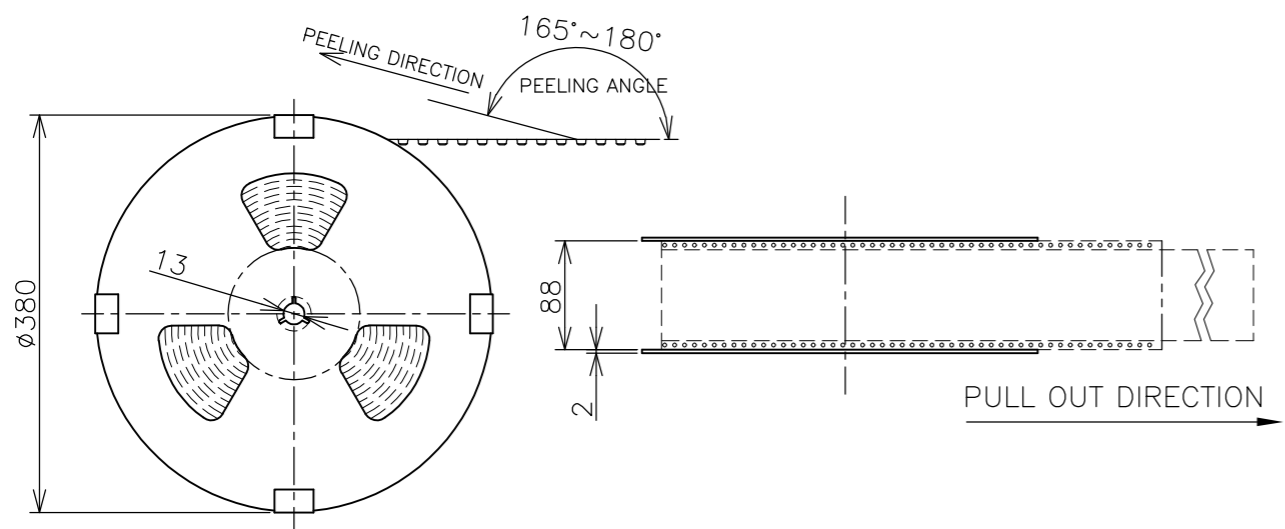
STE TE Connectivity

DDR3 SODIMM SOCKET
 0.6mm PITCH 204POS
 9.2mm HEIGHT STANDARD TYPE

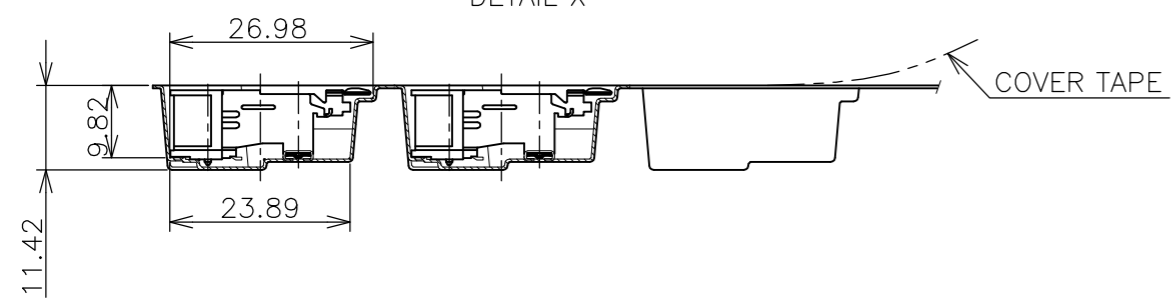
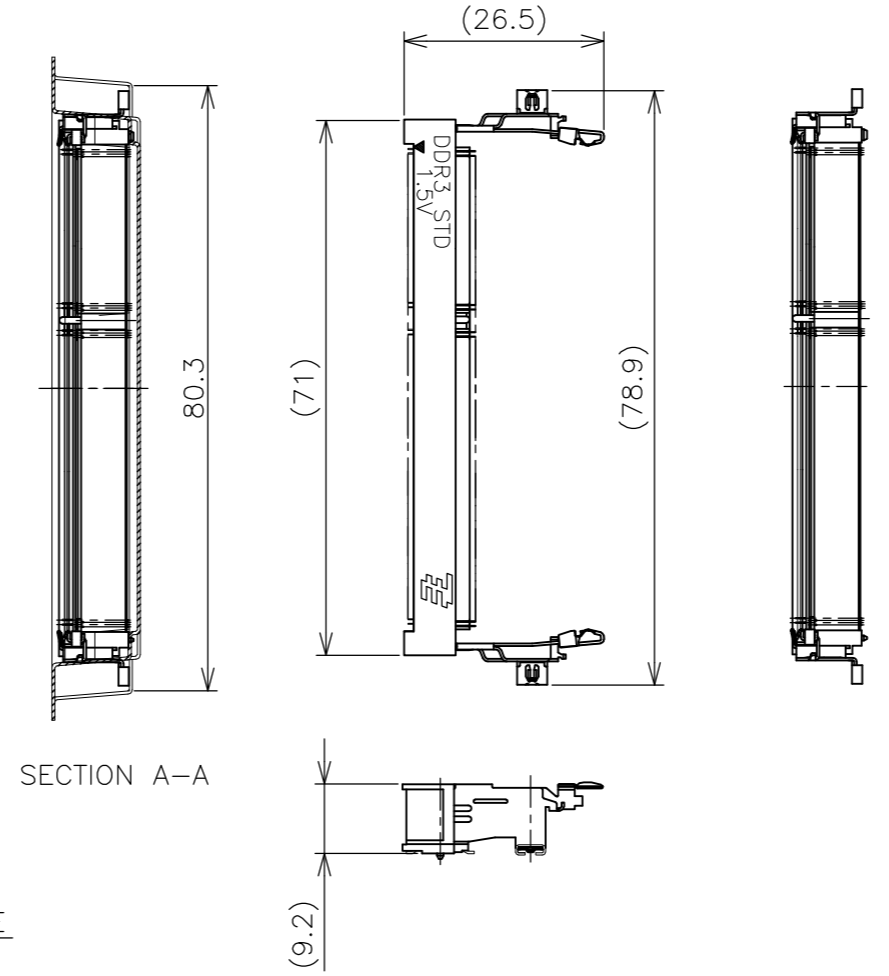
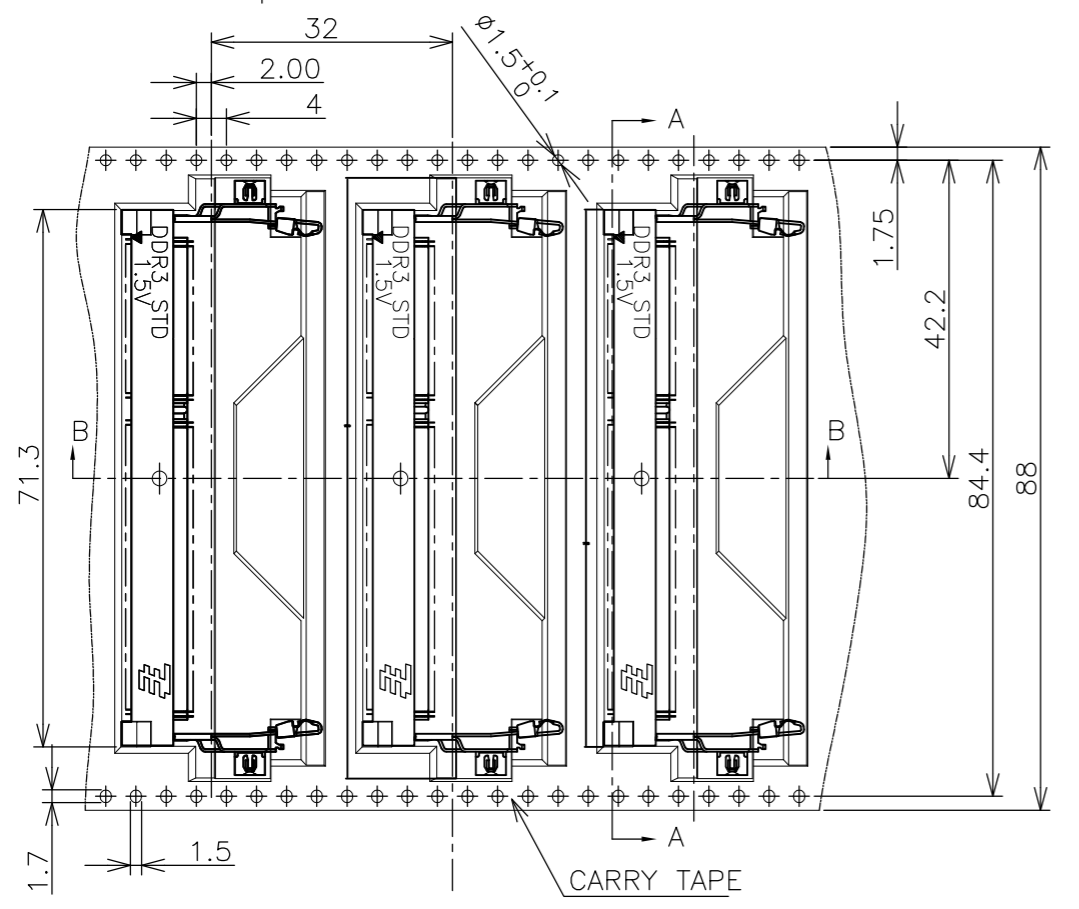
SIZE A3 CAGE CODE 00779 DRAWING NO C-1932209

THIS DRAWING IS UNPUBLISHED. RELEASED FOR PUBLICATION SEP ,2007.
 © COPYRIGHT 2007 By - ALL RIGHTS RESERVED.

LOC	DIST	REVISIONS			
P	LTR	DESCRIPTION	DATE	DWN	APVD
ES	/	SEE SHEET 1	-	-	-



(APPLIED TO SHEET 4)
 1. THE DIRECTION OF EACH CONNECTOR ON A EMBOSS IS REFERRED TO THIS DRAWING.
 2. GENERAL TOLERANCE: ±0.5, ±3'



180EA	1932209-2
180EA	1932209-1
QTY/REEL	PART NO.

THIS DRAWING IS A CONTROLLED DOCUMENT.		DWN		TE Connectivity NAME DDR3 SODIMM SOCKET 0.6mm PITCH 204POS 9.2mm HEIGHT STANDARD TYPE			
DIMENSIONS: MM		CHK					
TOLERANCES UNLESS OTHERWISE SPECIFIED:		APVD					
0 PLC ± 0.5 1 PLC ± 0.5 2 PLC ± 0.5 3 PLC ± 0.5 4 PLC ± 0.5 ANGLES ± 3'		PRODUCT SPEC					
MATERIAL		FINISH		APPLICATION SPEC			
		WEIGHT		SIZE	CAGE CODE	DRAWING NO	RESTRICTED TO
		CUSTOMER DRAWING		A3	00779	1932209	-
		SCALE		SHEET		REV	
		1:2		4 OF 4		C	