



Chipsmall Limited consists of a professional team with an average of over 10 year of expertise in the distribution of electronic components. Based in Hongkong, we have already established firm and mutual-benefit business relationships with customers from,Europe,America and south Asia,supplying obsolete and hard-to-find components to meet their specific needs.

With the principle of “Quality Parts,Customers Priority,Honest Operation,and Considerate Service”,our business mainly focus on the distribution of electronic components. Line cards we deal with include Microchip,ALPS,ROHM,Xilinx,Pulse,ON,Everlight and Freescale. Main products comprise IC,Modules,Potentiometer,IC Socket,Relay,Connector.Our parts cover such applications as commercial,industrial, and automotives areas.

We are looking forward to setting up business relationship with you and hope to provide you with the best service and solution. Let us make a better world for our industry!



Contact us

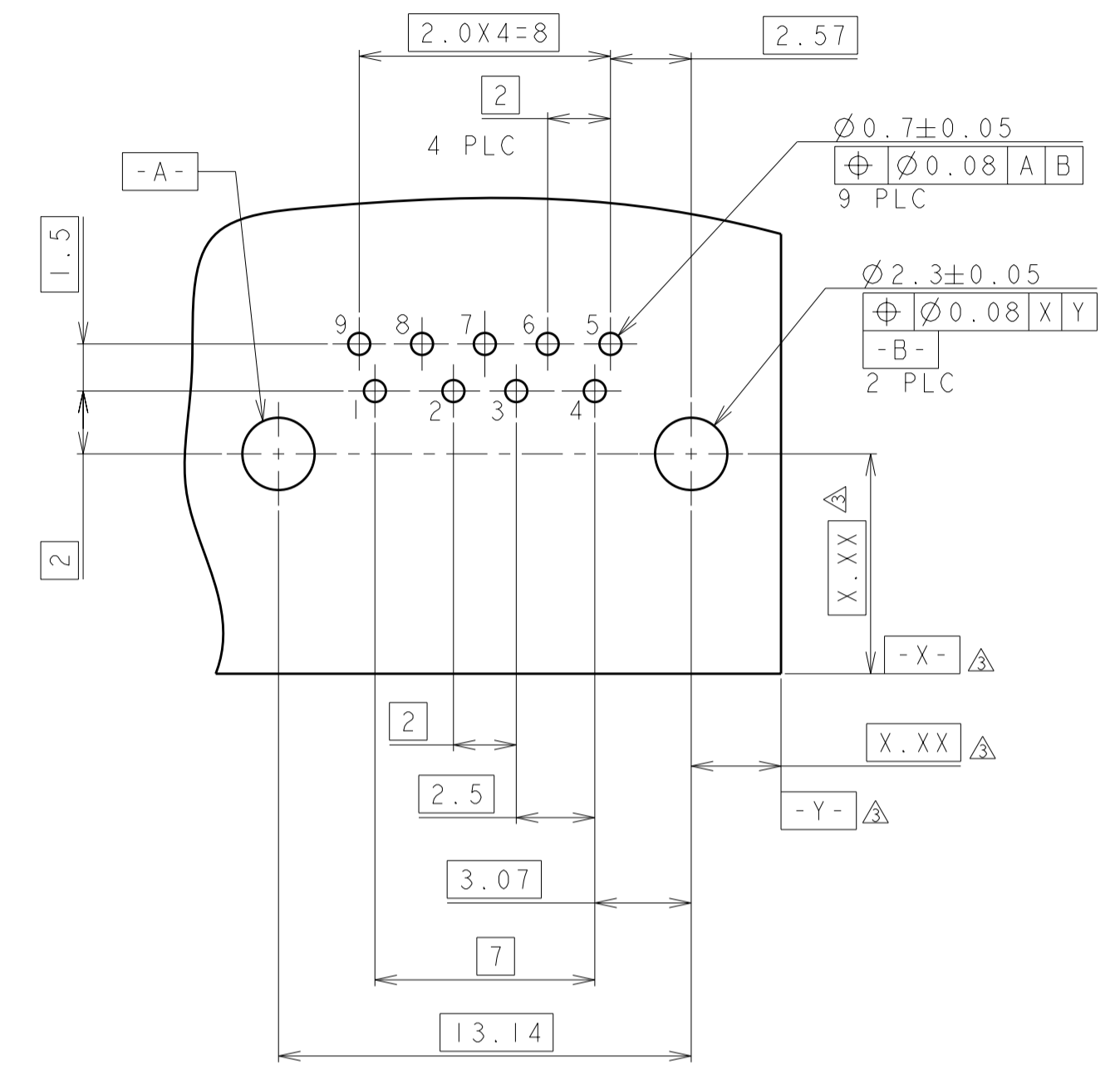
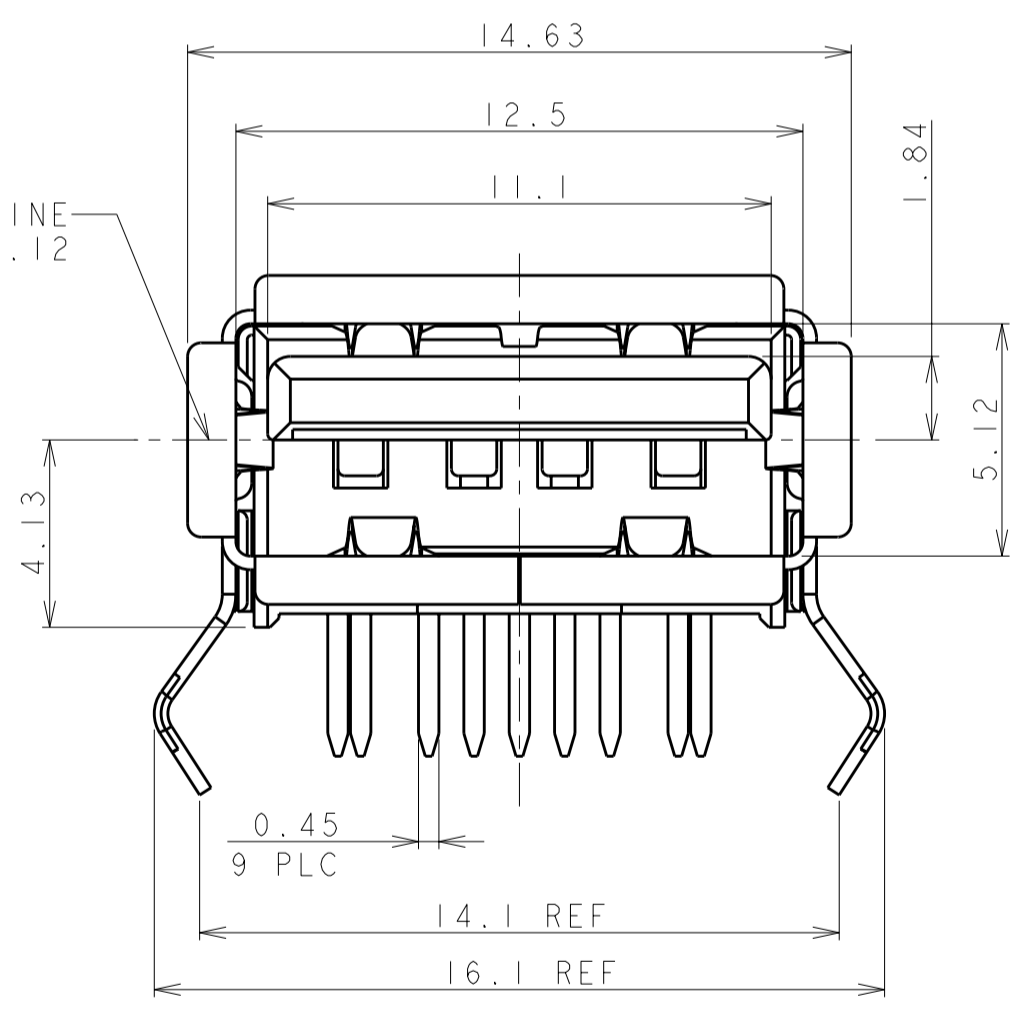
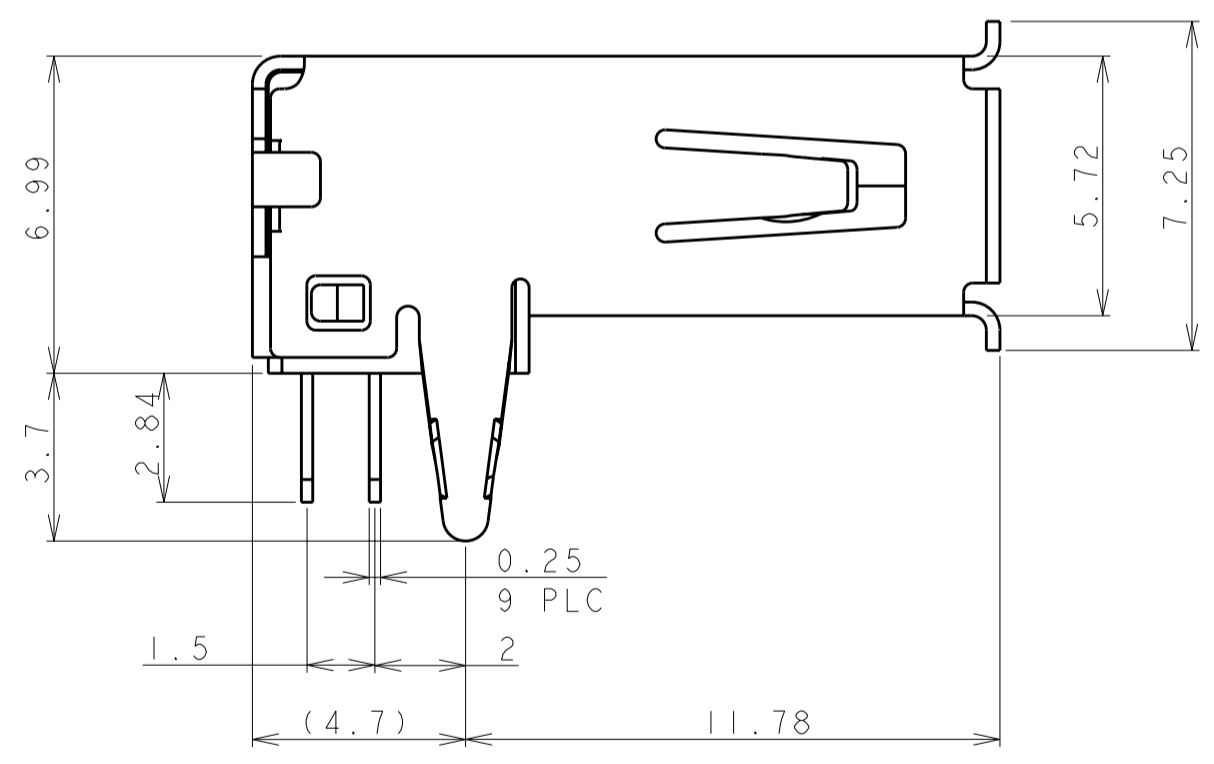
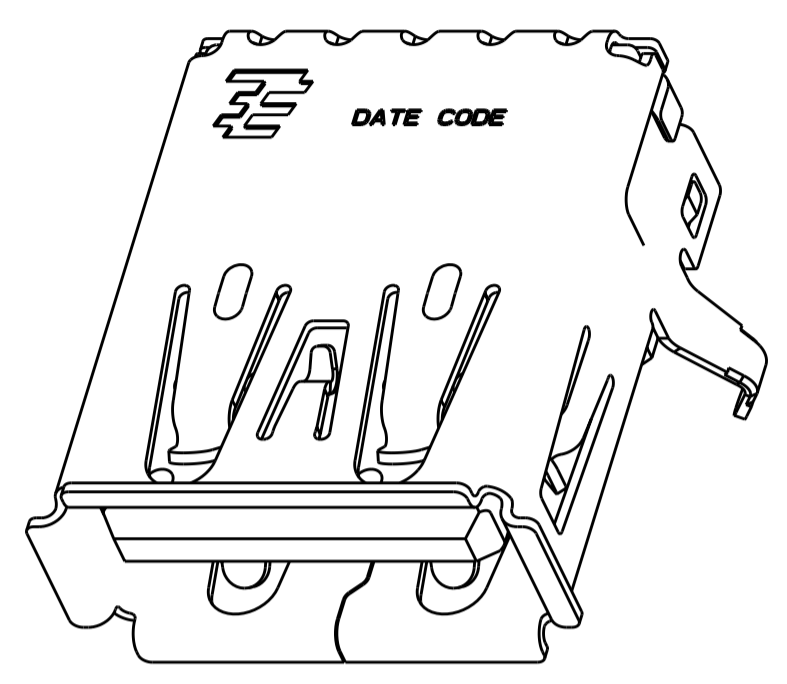
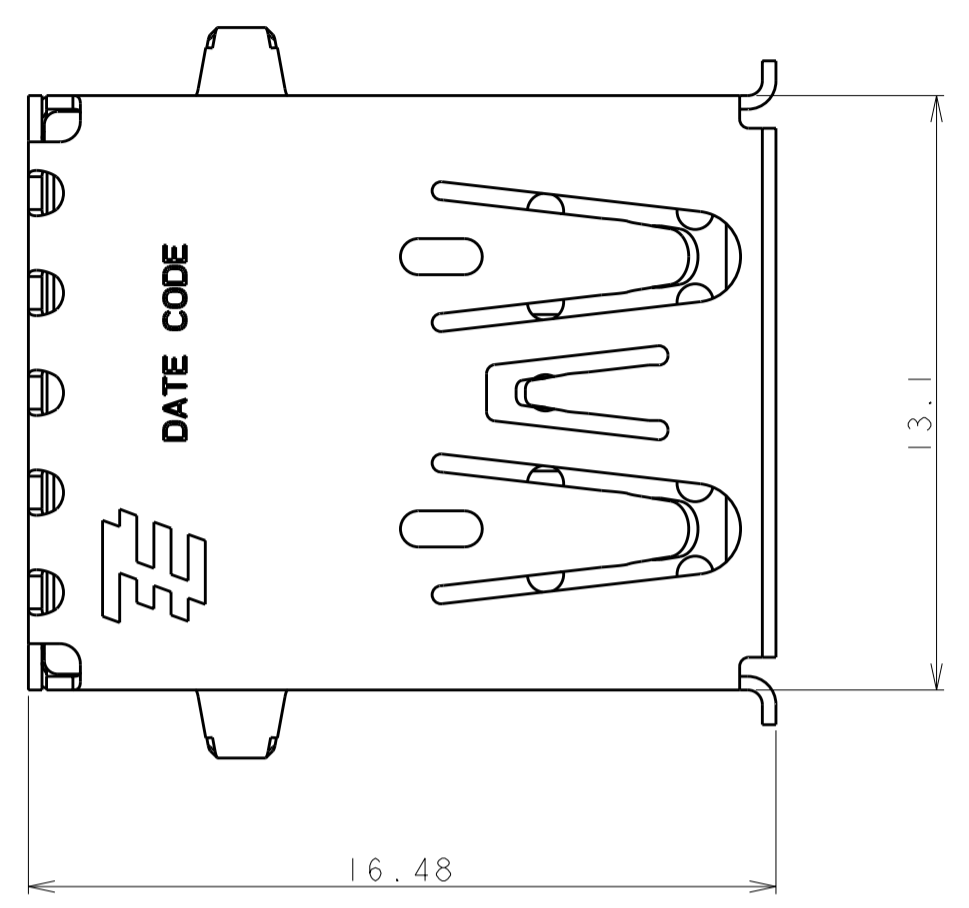
Tel: +86-755-8981 8866 Fax: +86-755-8427 6832

Email & Skype: info@chipsmall.com Web: www.chipsmall.com

Address: A1208, Overseas Decoration Building, #122 Zhenhua RD., Futian, Shenzhen, China



LOC		DIST		REVISIONS			
P	LTR	DESCRIPTION	DATE	DWN	APVD		
ES	00						
	A2	REVISED PER ECO-11-005033	16APR2011	RK	HMR		



△ RECOMMENDED PCB LAYOUT (CONNECTOR MOUNTING SIDE VIEW)

NOTE:

- △ MATERIAL: SHELL AND CONTACTS: COPPER ALLOY
HOUSING: THERMOPLASTIC, BLUE
- △ PLATING: CONTACT: 0.76um MIN GOLD OR GOLD FLASHED OVER 0.76um MIN Pd-Ni
ON MATING AREA, 2.54um MIN MATTE TIN ON SOLDER TAILS,
1.27um MIN NICKEL UNDER PLATING
SHELL: TIN OVER NICKEL PLATING
- △ DATUM AND BASIC DIMENSIONS ESTABLISHED BY CUSTOMER
- △ RECOMMENDED PC BOARD THICKNESS OF 1.60
- 5. PIN ASSIGNMENT:

PIN NO.	1	2	3	4	5	6	7	8	9
SIGNAL NAME	VBUS	D-	D+	GND	STDA_SSRX-	STDA_SSRX+	GND_DRAIN	STDA_SSTX-	STDA_SSTX+
REMARK	USB 2.0 CONTACT PIN				USB 3.0 CONTACT PIN				

P/N: 1932258-1

THIS DRAWING IS A CONTROLLED DOCUMENT.		DWN ERANICS.LEE 19SEP2010	TE Connectivity	
DIMENSIONS: mm		CHK MARTIN.LI 19SEP2010		
TOLERANCES UNLESS OTHERWISE SPECIFIED:		APVD STEVEN.YAO 19SEP2010	NAME	
0 PLC ±0.25 1 PLC ±0.25 2 PLC ±0.25 3 PLC ± 4 PLC ± ANGLES ±3° FINISH		PRODUCT SPEC 108-115001	USB 3.0 TYPE A RECEPTACLE STANDARD TYPE	
MATERIAL		APPLICATION SPEC 501-115002	SIZE A2	CAGE CODE 0779
△		WEIGHT	DRAWING NO C=1932258	RESTRICTED TO
		CUSTOMER DRAWING	SCALE NTS	SHEET 1 OF 1 REV A2