



Chipsmall Limited consists of a professional team with an average of over 10 year of expertise in the distribution of electronic components. Based in Hongkong, we have already established firm and mutual-benefit business relationships with customers from,Europe,America and south Asia,supplying obsolete and hard-to-find components to meet their specific needs.

With the principle of “Quality Parts,Customers Priority,Honest Operation,and Considerate Service”,our business mainly focus on the distribution of electronic components. Line cards we deal with include Microchip,ALPS,ROHM,Xilinx,Pulse,ON,Everlight and Freescale. Main products comprise IC,Modules,Potentiometer,IC Socket,Relay,Connector.Our parts cover such applications as commercial,industrial, and automotives areas.

We are looking forward to setting up business relationship with you and hope to provide you with the best service and solution. Let us make a better world for our industry!



Contact us

Tel: +86-755-8981 8866 Fax: +86-755-8427 6832

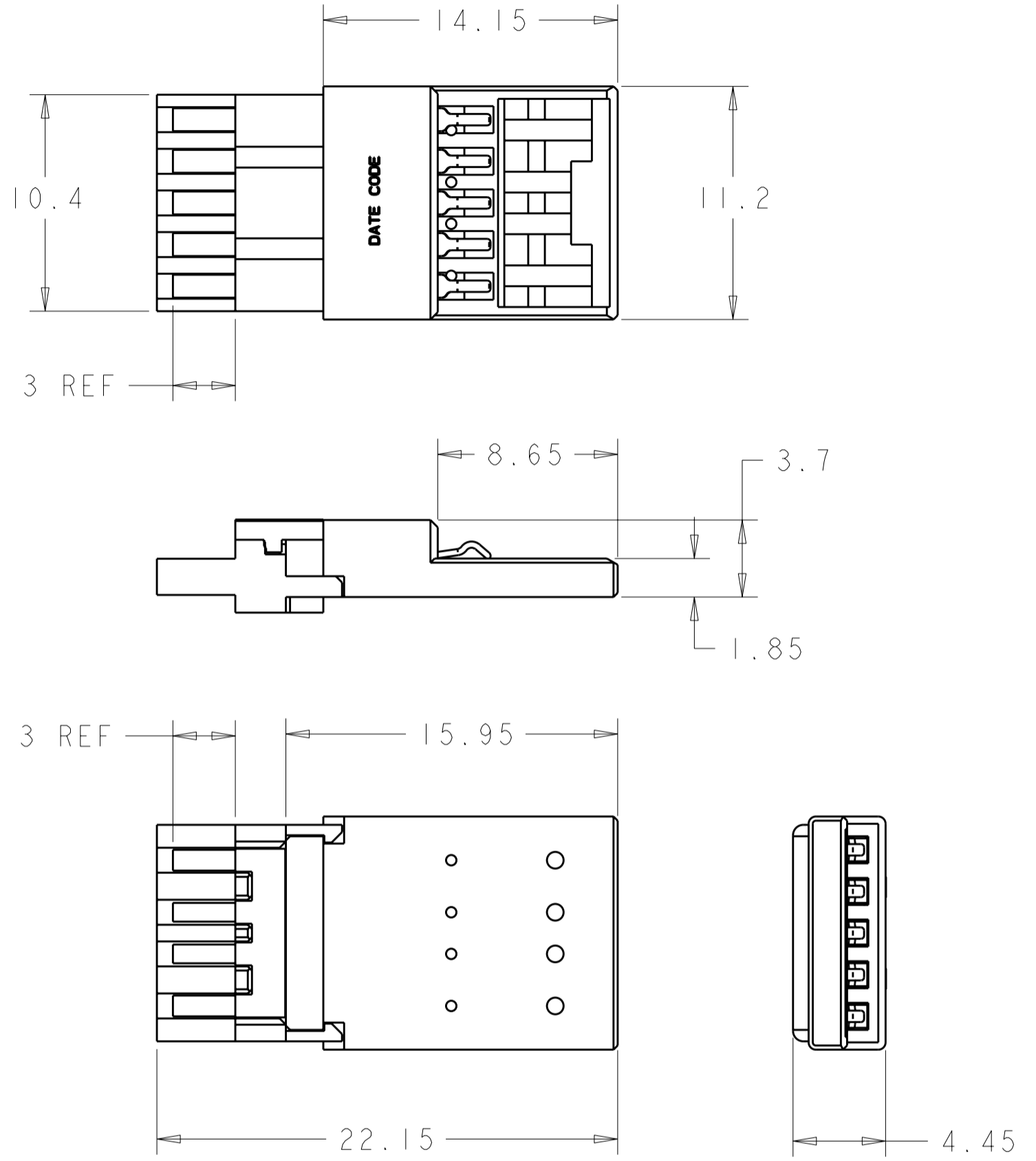
Email & Skype: info@chipsmall.com Web: www.chipsmall.com

Address: A1208, Overseas Decoration Building, #122 Zhenhua RD., Futian, Shenzhen, China

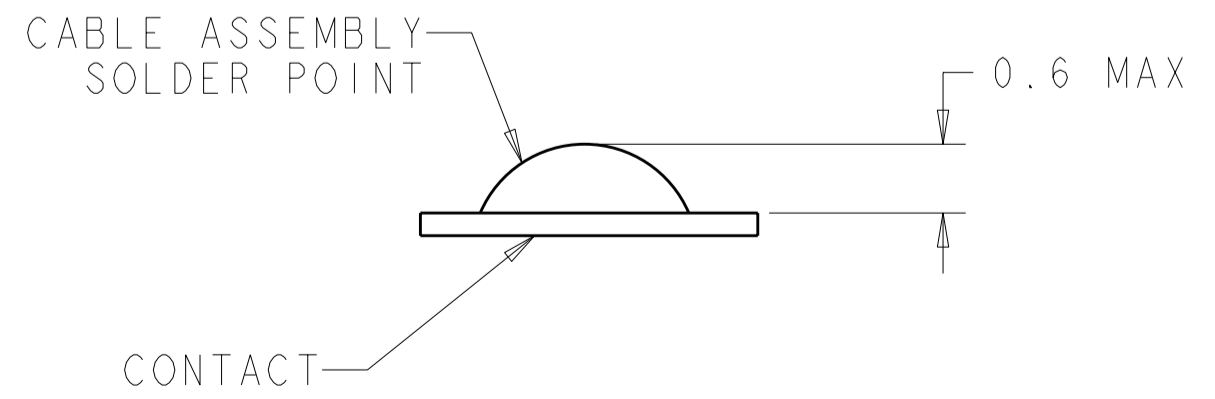


THIS DRAWING IS UNPUBLISHED. RELEASED FOR PUBLICATION 20
 © COPYRIGHT 20 BY TYCO ELECTRONICS CORPORATION. ALL RIGHTS RESERVED.

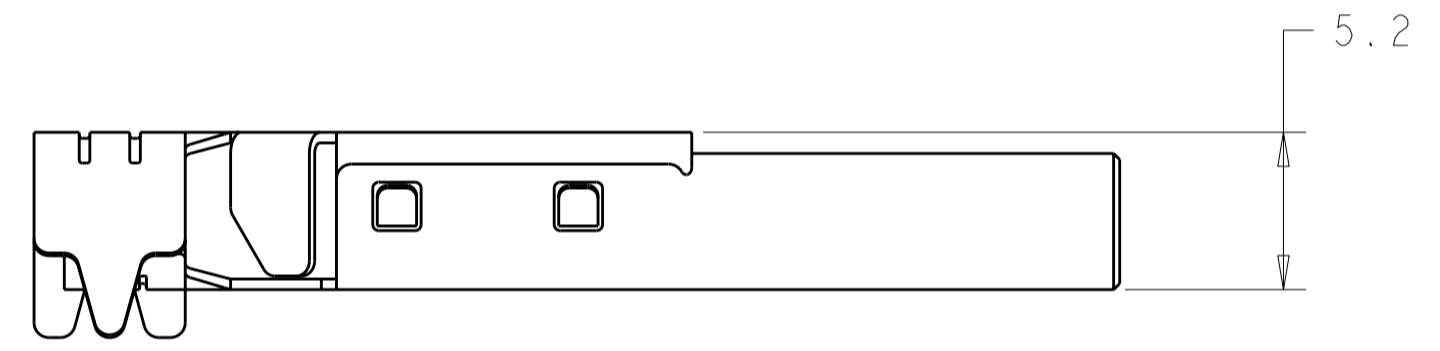
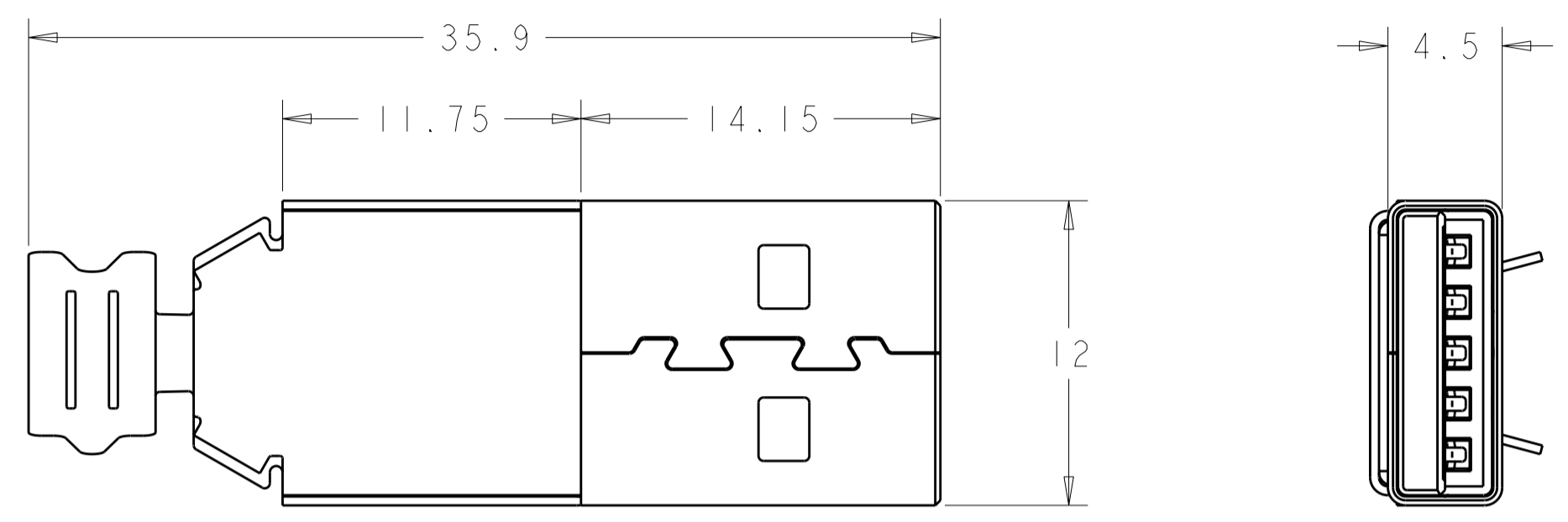
LOC	DIST	REVISIONS			
P	LTR	DESCRIPTION	DATE	DWN	APVD
ES	00	A	INITIAL RELEASED PER ECR-11-002073	9FEB2011	A.L S.Y



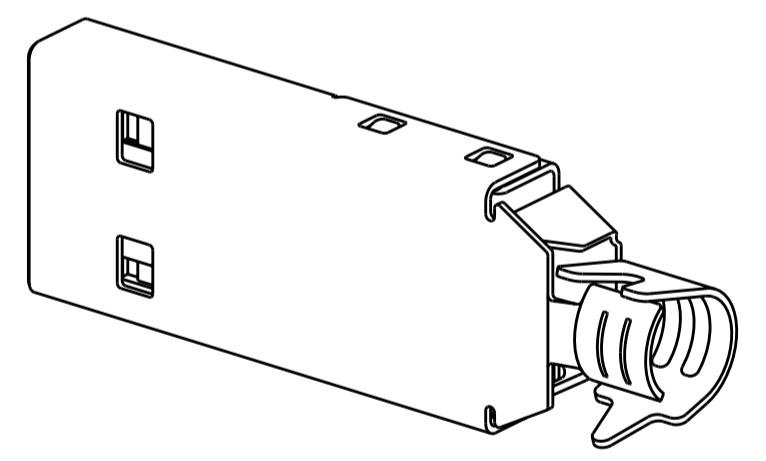
BEFORE SHELL ASSEMBLY



CABLE ASSEMBLY SOLDER REQUIREMENT TO AVOID SHORT ISSUE



AFTER ORGANIZER AND SHELL ASSEMBLY



NOTE:

- MATERIAL:
SHELL : CARBON STEEL
CONTACTS: COPPER ALLOY
HOUSING: THERMOPLASTIC, BLUE
- PLATING:
CONTACT: 0.76um MIN GOLD OR GOLD FLASHED OVER 0.76um MIN Pd-Ni ON MATING AREA, 2.54um MIN MATTE TIN ON SOLDER TAILS, 1.27um MIN NICKEL UNDER PLATING
SHELL: NICKEL PLATING OVER COPPER PLATING
- RECOMMENDED CABLE ASSEMBLY PROCESS:
WIRE SOLDERING----->ENVELOPING GLUE AROUND SOLDER POINT
----->OVERMOLDING INNER PLASTIC----->OVER MOLDING OUTER PLASTIC

P/N: 1932266-1

THIS DRAWING IS A CONTROLLED DOCUMENT FOR TYCO ELECTRONICS CORPORATION. IT IS SUBJECT TO CHANGE AND THE CONTROLLING ENGINEERING ORGANIZATION SHOULD BE CONTACTED FOR THE LATEST REVISION.		DWN ALAN LIU 18AUG2009	Tyco Electronics Shanghai P.R.China 200233	
DIMENSIONS: mm		CHK MARTIN LI 18AUG2009	NAME -	
TOLERANCES UNLESS OTHERWISE SPECIFIED: 0 PLC ±0.25 1 PLC ±0.25 2 PLC ±0.25 3 PLC ± 4 PLC ±		APVD STEVEN YAO 18AUG2009	PRODUCT SPEC -	
MATERIAL		FINISH	APPLICATION SPEC -	RESTRICTED TO -
-		WEIGHT -	SIZE A200779	CAGE CODE C-1932266
CUSTOMER DRAWING		SCALE 4:1	SHEET 1	REV A