



Chipsmall Limited consists of a professional team with an average of over 10 year of expertise in the distribution of electronic components. Based in Hongkong, we have already established firm and mutual-benefit business relationships with customers from,Europe,America and south Asia,supplying obsolete and hard-to-find components to meet their specific needs.

With the principle of “Quality Parts,Customers Priority,Honest Operation,and Considerate Service”,our business mainly focus on the distribution of electronic components. Line cards we deal with include Microchip,ALPS,ROHM,Xilinx,Pulse,ON,Everlight and Freescale. Main products comprise IC,Modules,Potentiometer,IC Socket,Relay,Connector.Our parts cover such applications as commercial,industrial, and automotives areas.

We are looking forward to setting up business relationship with you and hope to provide you with the best service and solution. Let us make a better world for our industry!



## Contact us

Tel: +86-755-8981 8866 Fax: +86-755-8427 6832

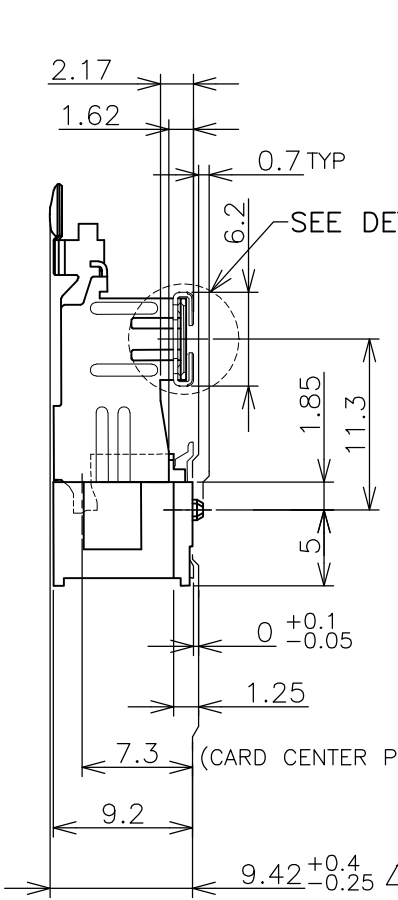
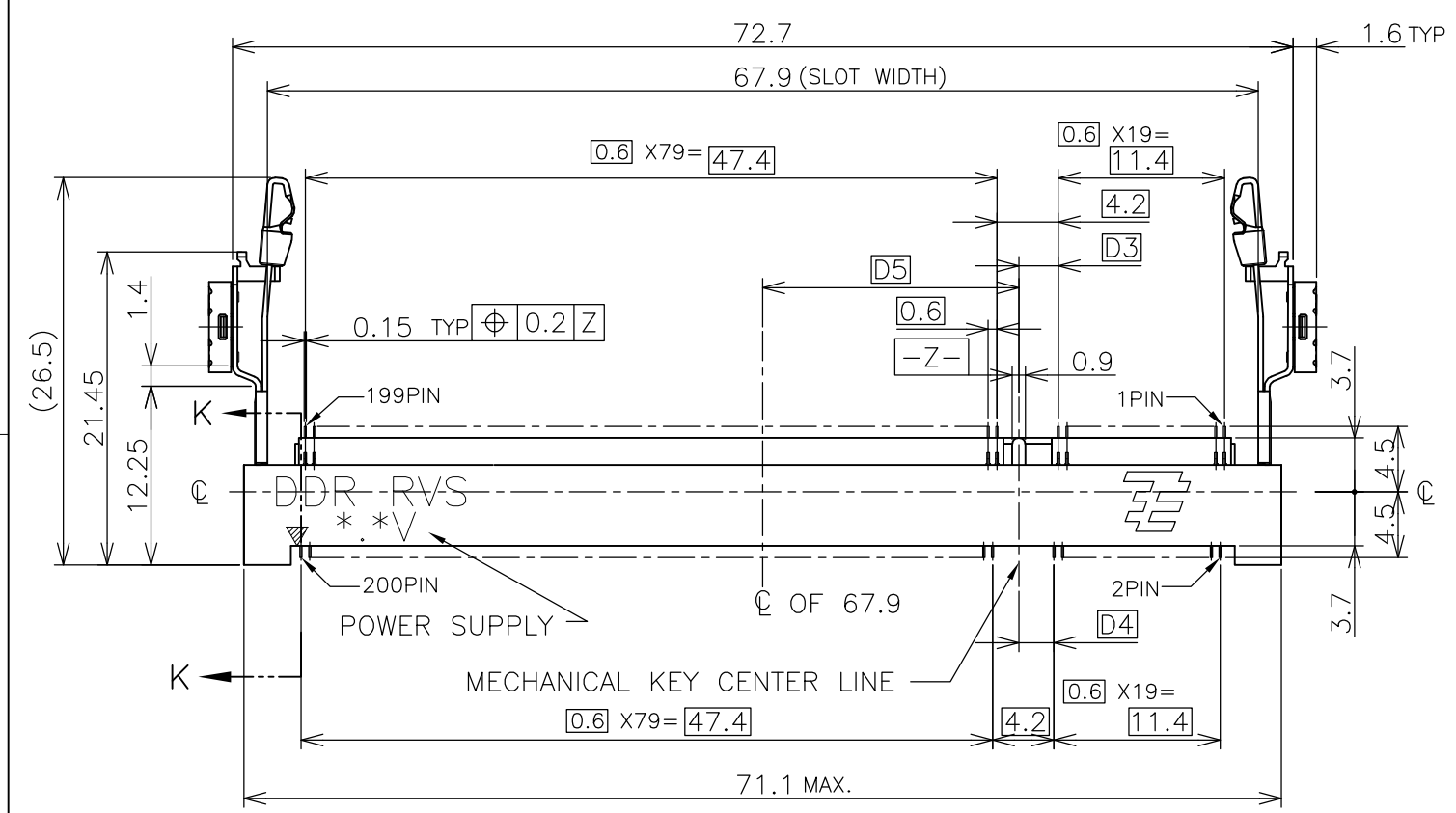
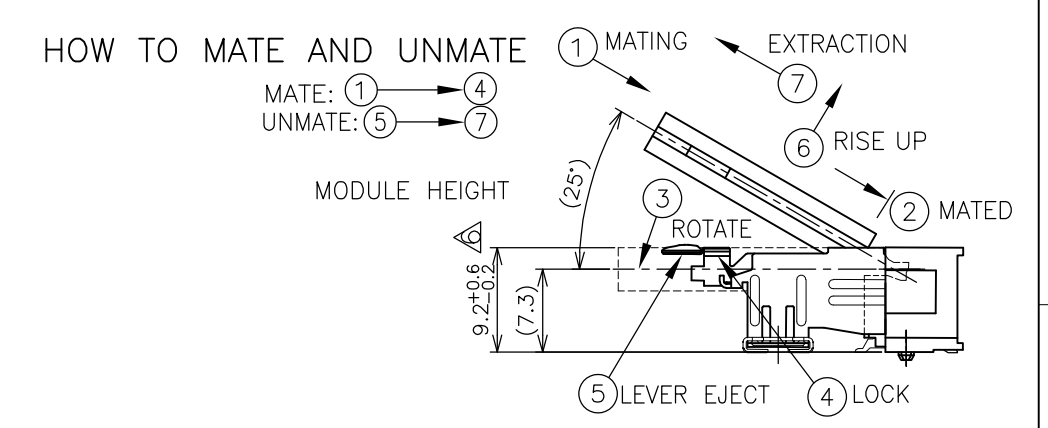
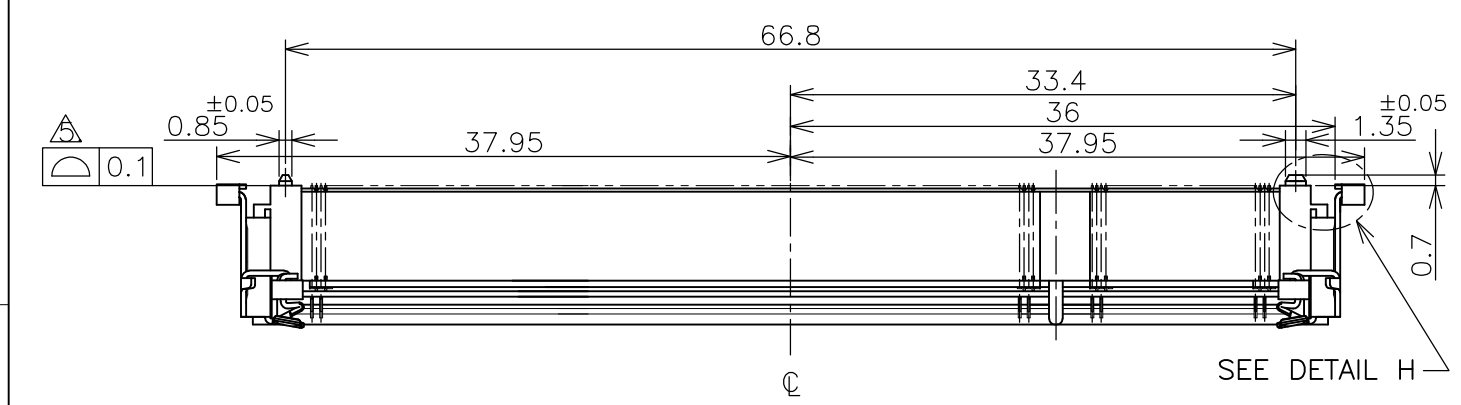
Email & Skype: info@chipsmall.com Web: www.chipsmall.com

Address: A1208, Overseas Decoration Building, #122 Zhenhua RD., Futian, Shenzhen, China

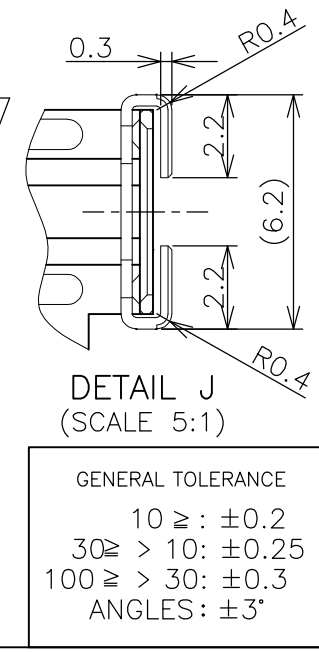
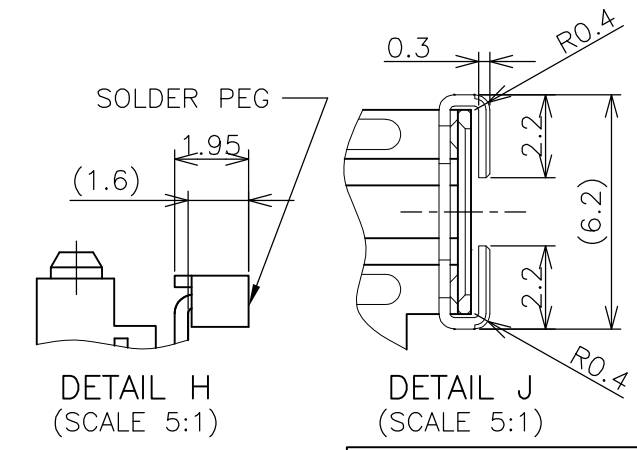
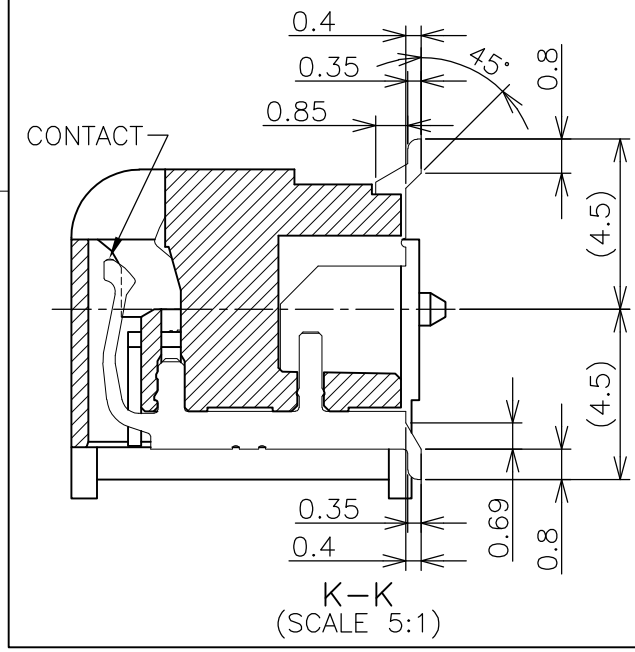


THIS DRAWING IS UNPUBLISHED. RELEASED FOR PUBLICATION OCT. 2002.  
 © COPYRIGHT 2002 BY TYCO ELECTRONICS CORPORATION. ALL RIGHTS RESERVED.

| LOC |   | DIST |     | REVISIONS             |           |     |      |  |
|-----|---|------|-----|-----------------------|-----------|-----|------|--|
| ES  | / | P    | LTR | DESCRIPTION           | DATE      | DWN | APVD |  |
|     |   |      | B   | REVISED ECR-10-025871 | 17DEC2010 | D.S | C.W  |  |



(APPLIED TO SHEET 1-2)  
 1. MATERIAL ; HOUSING: HIGH TEMPERATURE THERMO PLASTIC UL94V-0  
 CONTACT: COPPER ARROY  
 LOCK LEVER: STAINLESS STEEL  
 SOLDER PEG: COPPER ARROY  
 Δ FINISH ; CONTACT AREA: GOLD 0.00076MIN PLT.  
 ON 0.0013MIN ALL OVER NICKEL.  
 SOLDERING AREA: GOLD FLASH PLT.  
 SOLDER PEG: TIN PLATING.  
 Δ MECHANICAL KEY POSITION OF CONNECTOR SEE TABLE.  
 Δ TOLERANCES NON-CUMULATIVE.  
 Δ COPLANARITY : 0.1 MAX.  
 Δ THE FLOATING VALUE BY SOLDERING IS NOT INCLUDED.  
 Δ NOT MATING CONDITION.  
 8. IF THE MODULE DOESN'T INSERT AND LOCK IN THE LATCH SMOOTHLY,  
 OPEN WIDE BOTH LATCHES BY MANUAL. AND THE MODULE MUST BE  
 INSERTED AND LOCKED IN THE LATCH.  
 Δ FINISH: CONTACT AREA: GOLD FLASH PLT.  
 ON 0.0013MIN ALL OVER NICKEL.  
 SOLDERING AREA: GOLD FLASH PLT.  
 SOLDER PEG: TIN PLATING.



GENERAL TOLERANCE  
 10 ≥ : ±0.2  
 30 ≥ > 10: ±0.25  
 100 ≥ > 30: ±0.3  
 ANGLES: ±3'

|                |        |                     |       |     |     |     |           |
|----------------|--------|---------------------|-------|-----|-----|-----|-----------|
| AVAILABLE      | Δ      | 1.8V (DDR2)         | 17.55 | 2.4 | 2.7 | 200 | 1932317-4 |
| AVAILABLE      | Δ      | 1.8V (DDR2)         | 17.55 | 2.4 | 2.7 | 200 | 1932317-6 |
| TOOLING STATUS | FINISH | POWER SUPPLY (TYPE) | D5    | D4  | D3  | POS | PART NO.  |

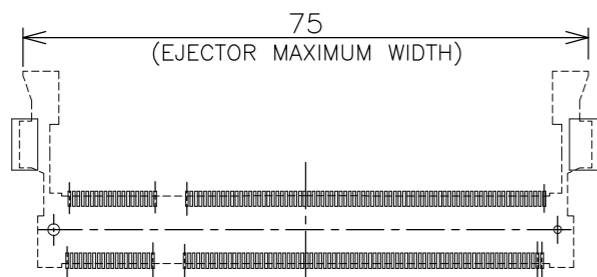
THIS DRAWING IS A CONTROLLED DOCUMENT.

|                  |   |                       |  |
|------------------|---|-----------------------|--|
| DIMENSIONS: MM   | TOLERANCES UNLESS OTHERWISE SPECIFIED:  | DWN L.LIN 11MAY09     | Tyco Electronics Corporation<br>Shanghai, P.R.China, 200233                  |
|                  | 0 PLC ± -<br>1 PLC ± -<br>2 PLC ± -<br>3 PLC ± -<br>4 PLC ± -<br>ANGLES ± -<br>FINISH ± - | CHK C.WANG 11MAY09    |  |
|                  |   | APVD S.YAO 11MAY09    |  |
|                  |   | PRODUCT SPEC 108-5701 |  |
| MATERIAL         | FINISH  | APPLICATION SPEC      | NAME   |
|                  |   | WEIGHT 8.3g           | DDR1 & DDR2 SODIMM SOCKET<br>0.6mm PITCH 200POS<br>9.2mm HEIGHT REVERSE TYPE |
| CUSTOMER DRAWING |   | SIZE A3               | CAGE CODE 00779  |
|                  |   | DRAWING NO. C-1932317 | RESTRICTED TO  |
|                  |   | SCALE 2:1             | SHEET 1 OF 4   |
|                  |   |                       | REV B  |

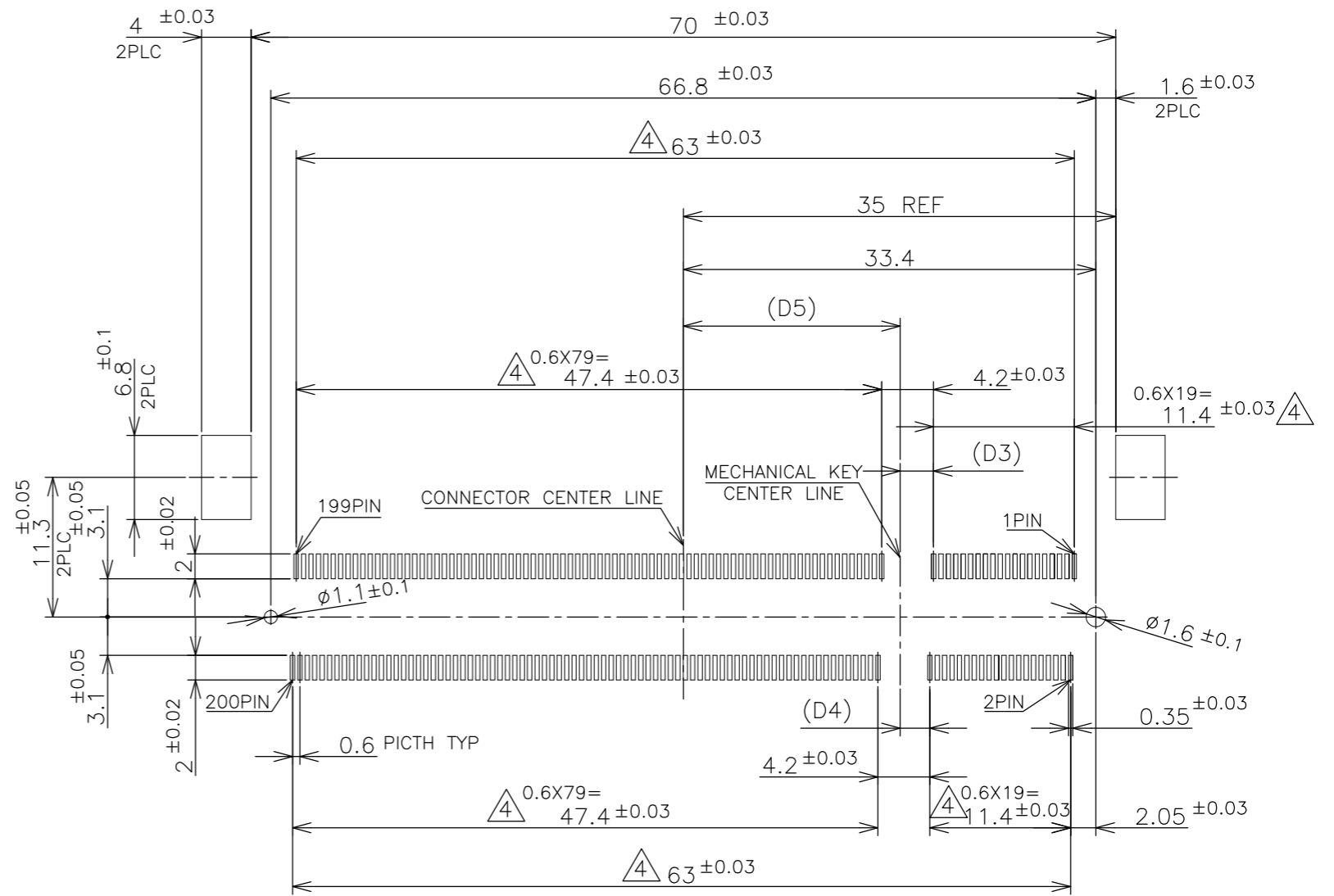
THIS DRAWING IS UNPUBLISHED. RELEASED FOR PUBLICATION OCT ,2002.

© COPYRIGHT 2002 BY TYCO ELECTRONICS CORPORATION. ALL RIGHTS RESERVED.

| LOC | DIST | REVISIONS |     |             |      |     |      |
|-----|------|-----------|-----|-------------|------|-----|------|
| ES  |      | P         | LTR | DESCRIPTION | DATE | DWN | APVD |
|     |      |           | -   | SEE SHEET 1 | -    | -   | -    |



REAL SIZE (SCALE 1:1)

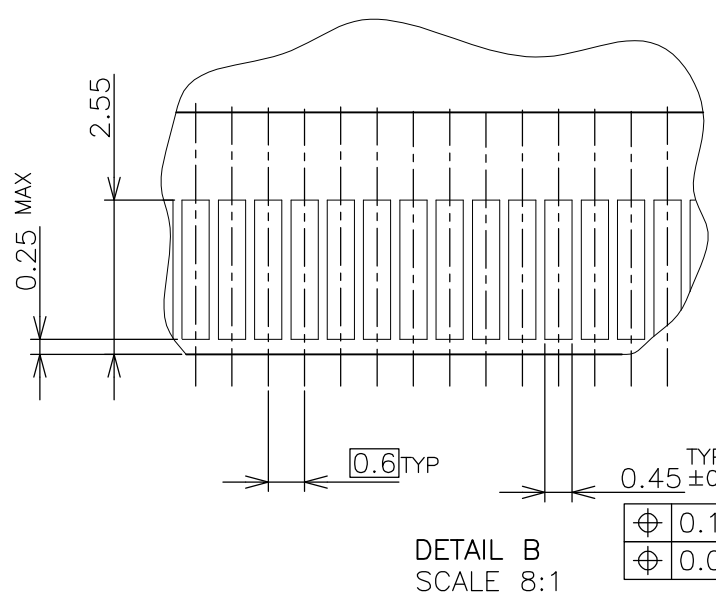
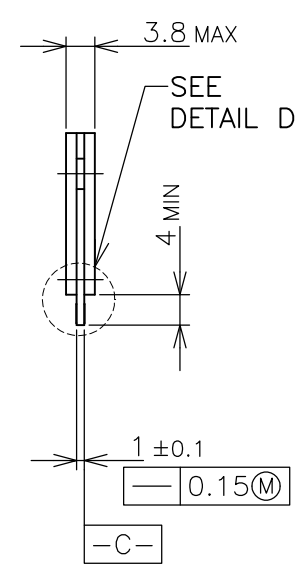
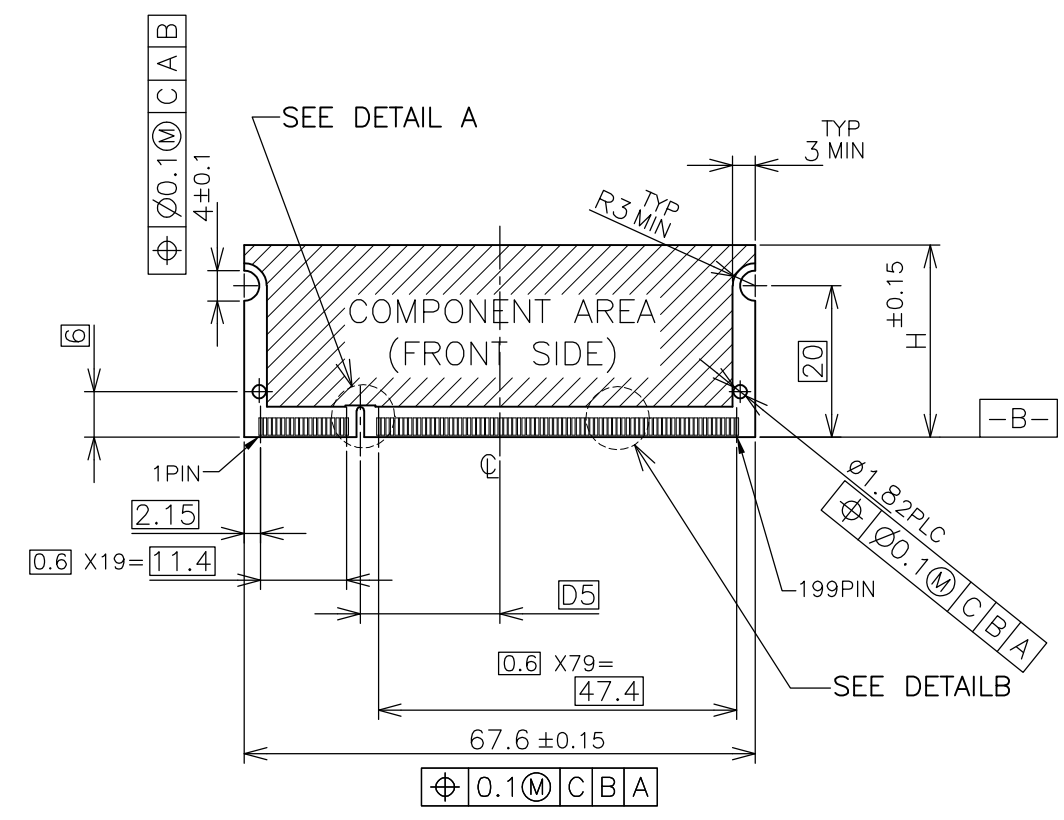


REFERENCE P.C. BOARD PATTERN LAYOUT FOR DUAL USE (CONNECTOR MOUNTING SIDE)

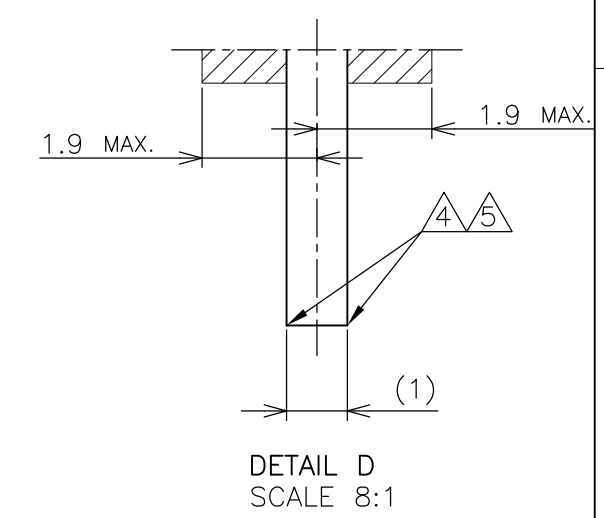
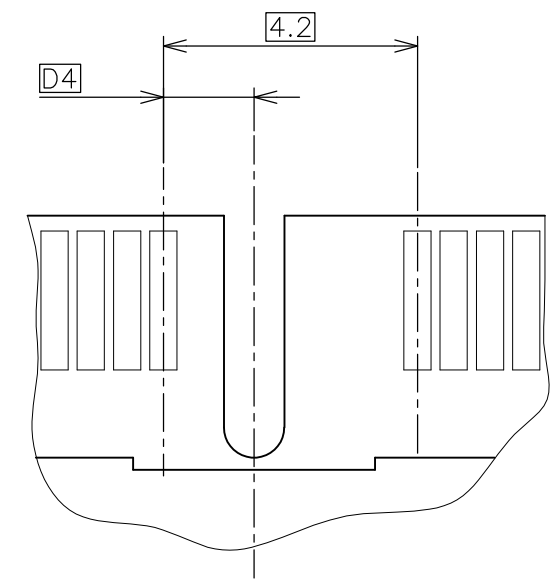
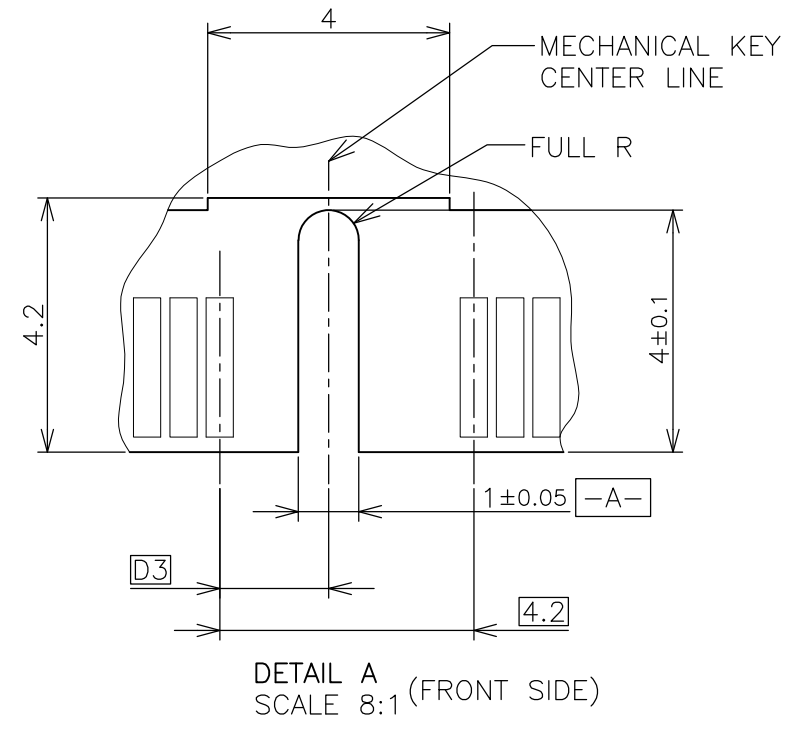
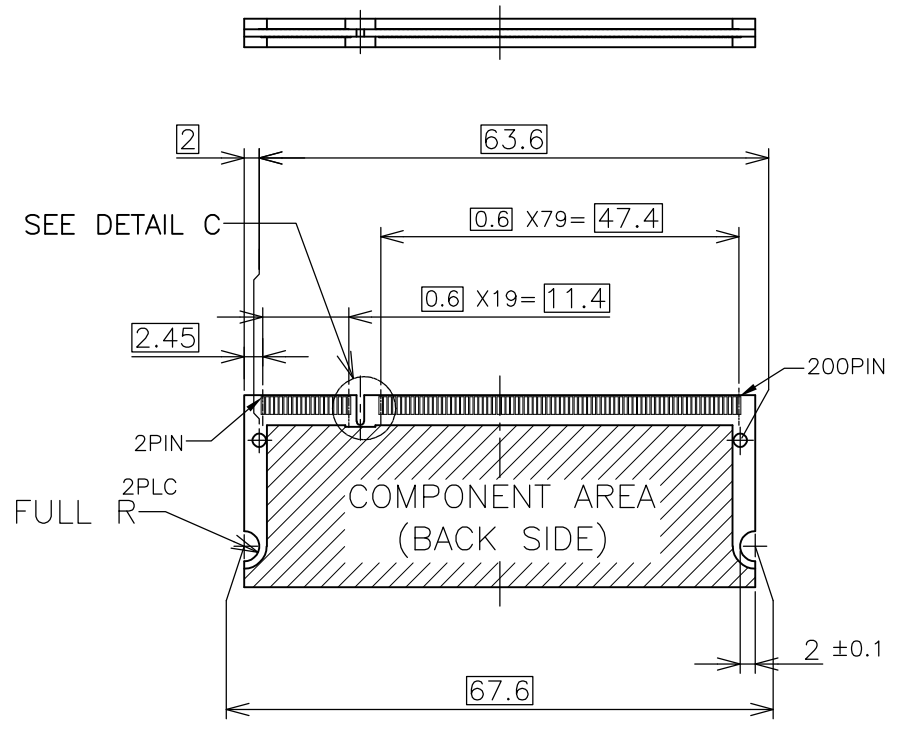
|  |  |                  |   |           |            |               |
|--|--|------------------|---|-----------|------------|---------------|
| THIS DRAWING IS A CONTROLLED DOCUMENT.   |  | DWN              | Tyco Electronics<br>Tyco Electronics Corporation<br>Shanghai, P.R.China, 200233 |           |            |               |
| DIMENSIONS: MM   |  | CHK              |   |           |            |               |
| TOLERANCES UNLESS OTHERWISE SPECIFIED:   |  | APVD             | NAME  |           |            |               |
| 0 PLC ±<br>1 PLC ±<br>2 PLC ±<br>3 PLC ±<br>4 PLC ±<br>ANGLES ±<br>MATERIAL FINISH |  | PRODUCT SPEC     | DDR1 & DDR2 SODIMM SOCKET<br>0.6mm PITCH 200POS<br>9.2mm HEIGHT REVERSE TYPE    |           |            |               |
|  |  | APPLICATION SPEC | SIZE  | CAGE CODE | DRAWING NO | RESTRICTED TO |
|  |  | WEIGHT           | A3  | 00779     | C-1932317  |               |
| CUSTOMER DRAWING   |  |                  | SCALE   | SHEET     | REV        |               |
|  |  |                  | NTS   | 2 OF 4    | B          |               |

THIS DRAWING IS UNPUBLISHED. RELEASED FOR PUBLICATION OCT ,2002.  
 © COPYRIGHT 2002 BY TYCO ELECTRONICS CORPORATION. ALL RIGHTS RESERVED.

| LOC | DIST | REVISIONS |     |             |      |     |      |
|-----|------|-----------|-----|-------------|------|-----|------|
| ES  |      | P         | LTR | DESCRIPTION | DATE | DWN | APVD |
|     |      | -         |     | SEE SHEET 1 | -    | -   | -    |



- (APPLIED TO SHEET 3)
- 1 TOLERANCES ON ALL DIMENSIONS ±0.15 UNLESS OTHERWISE SPECIFIED.
  - 2 P.C. BOARD THICKNESS APPLIES ACROSS TABS AND INCLUDES PLATING AND/OR METALIZATION.
  - 3 FINISH OF PAD : GOLD PLATING 0.00076 MIN. OVER Ni PLATING 0.002MIN.
- △ NO BURR.  
 △ CHAMFER 0.25 MAX x 45° IF EXIST.



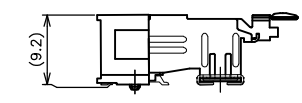
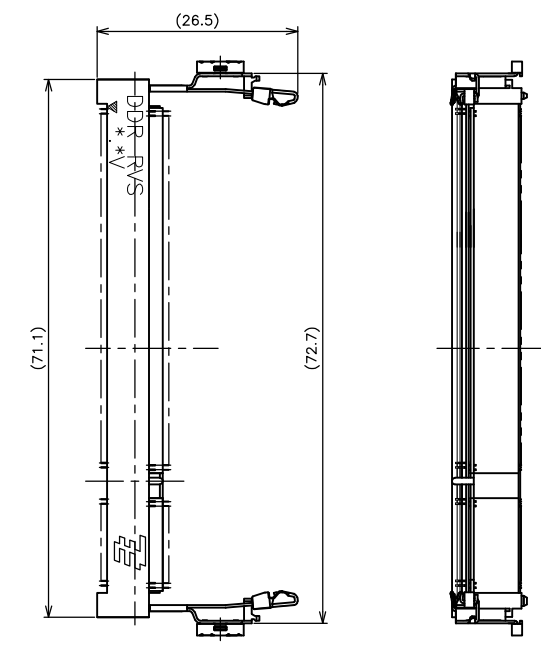
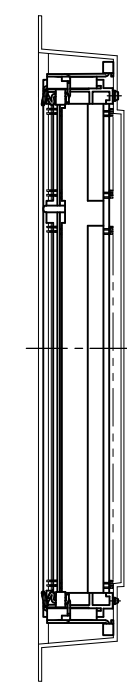
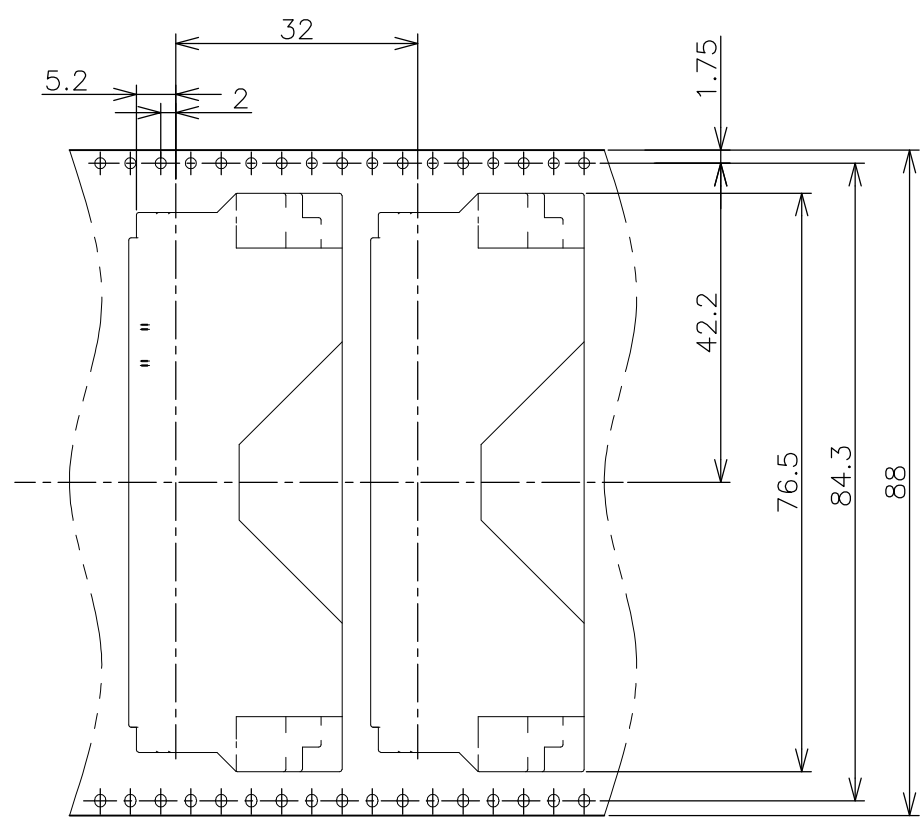
推奨基板仕様  
 RECOMMENDED MATING P.C.B CONFIGURATION

|  |  |                  |  |           |            |               |
|--|--|------------------|--|-----------|------------|---------------|
| THIS DRAWING IS A CONTROLLED DOCUMENT. |  | DWN              | Tyco Electronics Corporation<br>Shanghai, P.R.China, 200233                  |           |            |               |
| DIMENSIONS: MM                         |  | CHK              | NAME   |           |            |               |
| TOLERANCES UNLESS OTHERWISE SPECIFIED: |  | APVD             | DDR1 & DDR2 SODIMM SOCKET<br>0.6mm PITCH 200POS<br>9.2mm HEIGHT REVERSE TYPE |           |            |               |
| 0 PLC ±                                |  | PRODUCT SPEC     | SIZE   | CAGE CODE | DRAWING NO | RESTRICTED TO |
| 1 PLC ±                                |  | APPLICATION SPEC | A3   | 00779     | C-1932317  |               |
| 2 PLC ±                                |  | WEIGHT           | CUSTOMER DRAWING   |           |            |               |
| 3 PLC ±                                |  |                  | SCALE  | SHEET     | OF         | REV           |
| 4 PLC ±                                |  |                  | NTS  | 3         | 4          | B             |
| ANGLES ±                               |  |                  |  |           |            |               |
| FINISH                                 |  |                  |  |           |            |               |

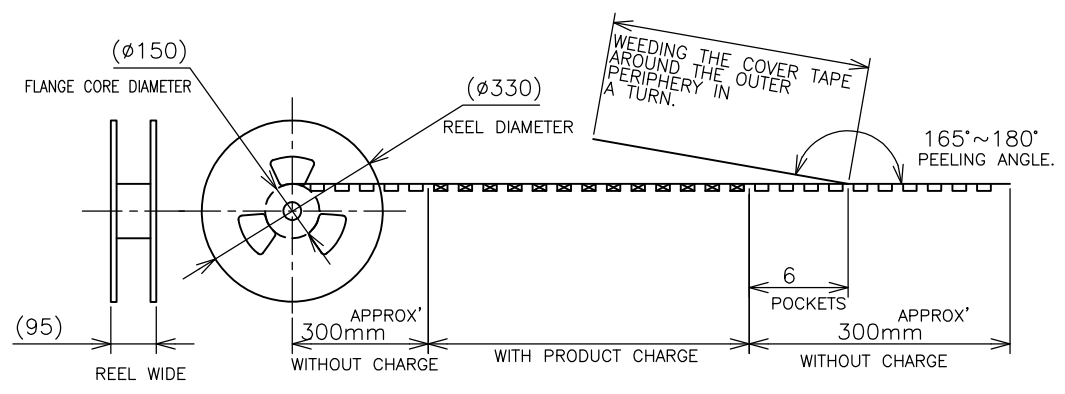
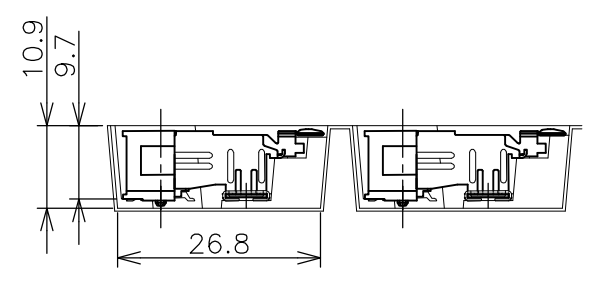
THIS DRAWING IS UNPUBLISHED. RELEASED FOR PUBLICATION OCT ,2002.  
 © COPYRIGHT 2002 BY TYCO ELECTRONICS CORPORATION. ALL RIGHTS RESERVED.

|           |      |             |      |     |      |
|-----------|------|-------------|------|-----|------|
| LOC<br>ES | DIST | REVISIONS   |      |     |      |
| P         | LTR  | DESCRIPTION | DATE | DWN | APVD |
|           | -    | SEE SHEET 1 | -    | -   | -    |

DIRECTION OFF TOP OF REEL →



CONNECTOR DETAIL



|            |           |
|------------|-----------|
| 120EA/REEL | 1932317-4 |
| 120EA/REEL | 1932317-6 |
| QTY        | P/N       |

|  |  |                  |   |           |            |               |
|--|--|------------------|---|-----------|------------|---------------|
| THIS DRAWING IS A CONTROLLED DOCUMENT.   |  | DWN              | Tyco Electronics Corporation<br>Shanghai, P.R.China, 200233 |           |            |               |
| DIMENSIONS: MM   |  | CHK              |   |           |            |               |
| TOLERANCES UNLESS OTHERWISE SPECIFIED:<br>0 PLC ± 0.5<br>1 PLC ± 0.5<br>2 PLC ± 0.5<br>3 PLC ± 0.5<br>4 PLC ± 0.5<br>ANGLES ± 3° |  | APVD             | NAME  |           |            |               |
| MATERIAL   |  | PRODUCT SPEC     | DDR1 & DDR2 SODIMM SOCKET                                   |           |            |               |
|  |  | APPLICATION SPEC | 0.6mm PITCH 200POS  |           |            |               |
|  |  | WEIGHT           | 9.2mm HEIGHT REVERSE TYPE                                   |           |            |               |
|  |  | CUSTOMER DRAWING | SIZE  | CAGE CODE | DRAWING NO | RESTRICTED TO |
|  |  |                  | A3  | 00779     | C-1932317  |               |
|  |  |                  | SCALE   | SHEET     | OF         | REV           |
|  |  |                  | 1:1   | 4         | 4          | B             |