



Chipsmall Limited consists of a professional team with an average of over 10 year of expertise in the distribution of electronic components. Based in Hongkong, we have already established firm and mutual-benefit business relationships with customers from,Europe,America and south Asia,supplying obsolete and hard-to-find components to meet their specific needs.

With the principle of “Quality Parts,Customers Priority,Honest Operation,and Considerate Service”,our business mainly focus on the distribution of electronic components. Line cards we deal with include Microchip,ALPS,ROHM,Xilinx,Pulse,ON,Everlight and Freescale. Main products comprise IC,Modules,Potentiometer,IC Socket,Relay,Connector.Our parts cover such applications as commercial,industrial, and automotives areas.

We are looking forward to setting up business relationship with you and hope to provide you with the best service and solution. Let us make a better world for our industry!



Contact us

Tel: +86-755-8981 8866 Fax: +86-755-8427 6832

Email & Skype: info@chipsmall.com Web: www.chipsmall.com

Address: A1208, Overseas Decoration Building, #122 Zhenhua RD., Futian, Shenzhen, China



THIS DRAWING IS UNPUBLISHED. RELEASED FOR PUBLICATION 19NOV2009. ALL RIGHTS RESERVED. © COPYRIGHT 19NOV2009-

| LOC | DIST | REVISIONS | | | | | |
|-----|------|-----------|-----|---------------|-----------|-----|------|
| | | P | LTR | DESCRIPTION | DATE | DWN | APVD |
| ES | 00 | | A | ECR-11-017238 | 20AUG2011 | FL | SY |
| | | | B1 | ECR-12-008938 | 25NOV2011 | JJ | S.Y |

NOTES:

1. MATERIALS:

HOUSING: HIGH TEMPERATURE THERMOPLASTIC, HALOGEN FREE. BLUE, PANTONE COLOR 300C.
 CONTACTS: COPPER ALLOY.
 SHIELD: COPPER ALLOY.

2. FINISH:

CONTACT: GOLD PLATING ON CONTACT AREA, 2.54um MIN MATTE TIN ON SOLDER TAILS, 1.27um MIN NICKEL UNDER PLATING.
 SHIELD: 1.78um MIN MATTE TIN ON KINK, 1.27um MIN NICKEL UNDERPLATE

3. INTERFACE DIMENSIONS PER USB 3.0 SPECIFICATION.

4. ROHS COMPLIANCE.

5. FINISH:

CONTACT: GOLD PLATING ON CONTACT AREA, 2.54um MIN MATTE TIN ON SOLDER TAILS, 1.27um MIN NICKEL UNDER PLATING.
 SHIELD: 0.75um~2um MATTE TIN OVER 1.27um MIN NICKEL.

6. MATERIALS:

HOUSING: HIGH TEMPERATURE THERMOPLASTIC, HALOGEN FREE. BLACK.
 CONTACTS: COPPER ALLOY.
 SHIELD: COPPER ALLOY.

7. IT IS COMPATIBLE WITH 109-201 CONDITION B.

8. THIS PART IS PRELIMINARY.

| PACKAGE | DIM D | DIM C | DIM B | DIM A | PCB THICKNESS | GOLD PLATING ON CONTACT AREA | FINISHED | HOUSING COLOR | MATERIAL | PART NO. |
|-------------|-------|-------|-------|-------|-----------------|------------------------------|----------|---------------|-----------|-------------|
| TRAY | 3.23 | 2.55 | - | - | 1.60 | 0.38um MIN GOLD | 5 | BLUE | 1 | 2-1932355-2 |
| | 2.83 | 2.30 | - | - | 1.60 | 0.38um MIN GOLD | 5 | BLUE | 1 | 2-1932355-1 |
| TAPE & REEL | - | - | 3.51 | 2.30 | 1.60 | 0.38um MIN GOLD | 2 | BLACK | 6 | 1-1932355-5 |
| | - | - | 3.51 | 2.30 | 1.60 | 0.38um MIN GOLD | 2 | BLUE | 1 | 1-1932355-4 |
| TRAY | - | - | 3.51 | 3.18 | 1.60 | GOLD FLASH | 2 | BLUE | 1 | 1-1932355-3 |
| | | | | | | 0.38um MIN GOLD | 2 | BLUE | 1 | 1-1932355-2 |
| | | | | | | 0.76um MIN GOLD | 2 | BLUE | 1 | 1-1932355-1 |
| | | | | | | GOLD FLASH | 5 | BLUE | 1 | 1932355-9 |
| | 3.23 | 2.55 | - | - | 2.00 | 0.38um MIN GOLD | 5 | BLUE | 1 | 1932355-8 |
| | | | | | | 0.76um MIN GOLD | 5 | BLUE | 1 | 1932355-7 |
| | 2.83 | 2.30 | - | - | 1.60 | GOLD FLASH | 5 | BLUE | 1 | 1932355-6 |
| | | | | | | 0.38um MIN GOLD | 5 | BLUE | 1 | 1932355-5 |
| | | | | | | 0.76um MIN GOLD | 5 | BLACK | 1 | 1-1932355-6 |
| | | | | | | 0.76um MIN GOLD | 5 | BLUE | 1 | 1932355-4 |
| - | - | 3.51 | 2.30 | 1.60 | GOLD FLASH | 2 | BLUE | 1 | 1932355-3 | |
| | | | | | 0.38um MIN GOLD | 2 | BLUE | 1 | 1932355-2 | |
| | | | | | | 0.76um MIN GOLD | 2 | BLUE | 1 | 1932355-1 |

THIS DRAWING IS A CONTROLLED DOCUMENT.

DWN FRANCIS LEE 22AUG2011
 CHK MARTIN LI 22AUG2011
 APVD STEVEN YAO 22AUG2011

STE TE Connectivity

NAME: USB 3.0 STACKED A TYPE RECEPTACLE

SIZE: A2 CAGE CODE: 00779 DRAWING NO: 1932355 RESTRICTED TO: -

SCALE: 4:1 SHEET: 1 of 6 REV: B1

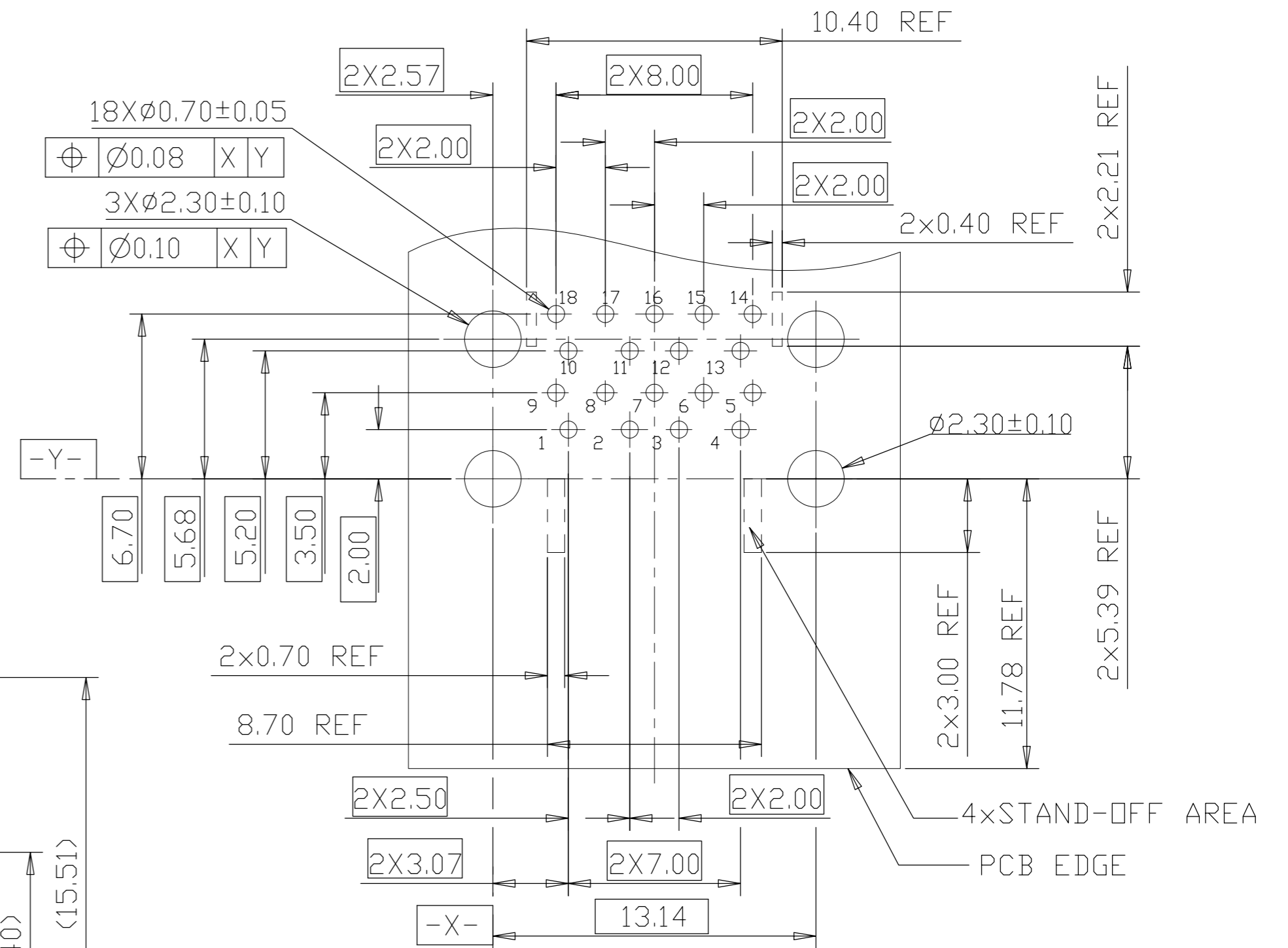
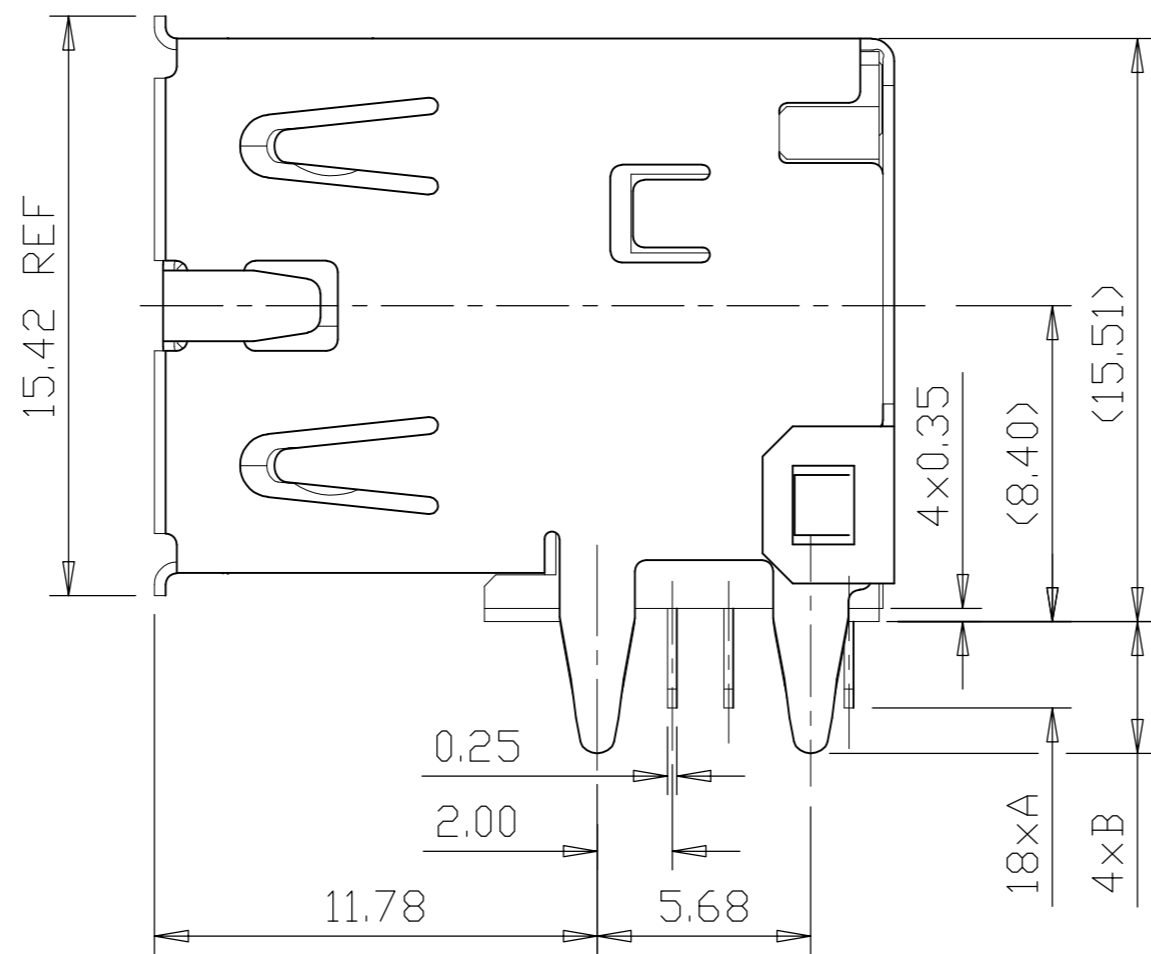
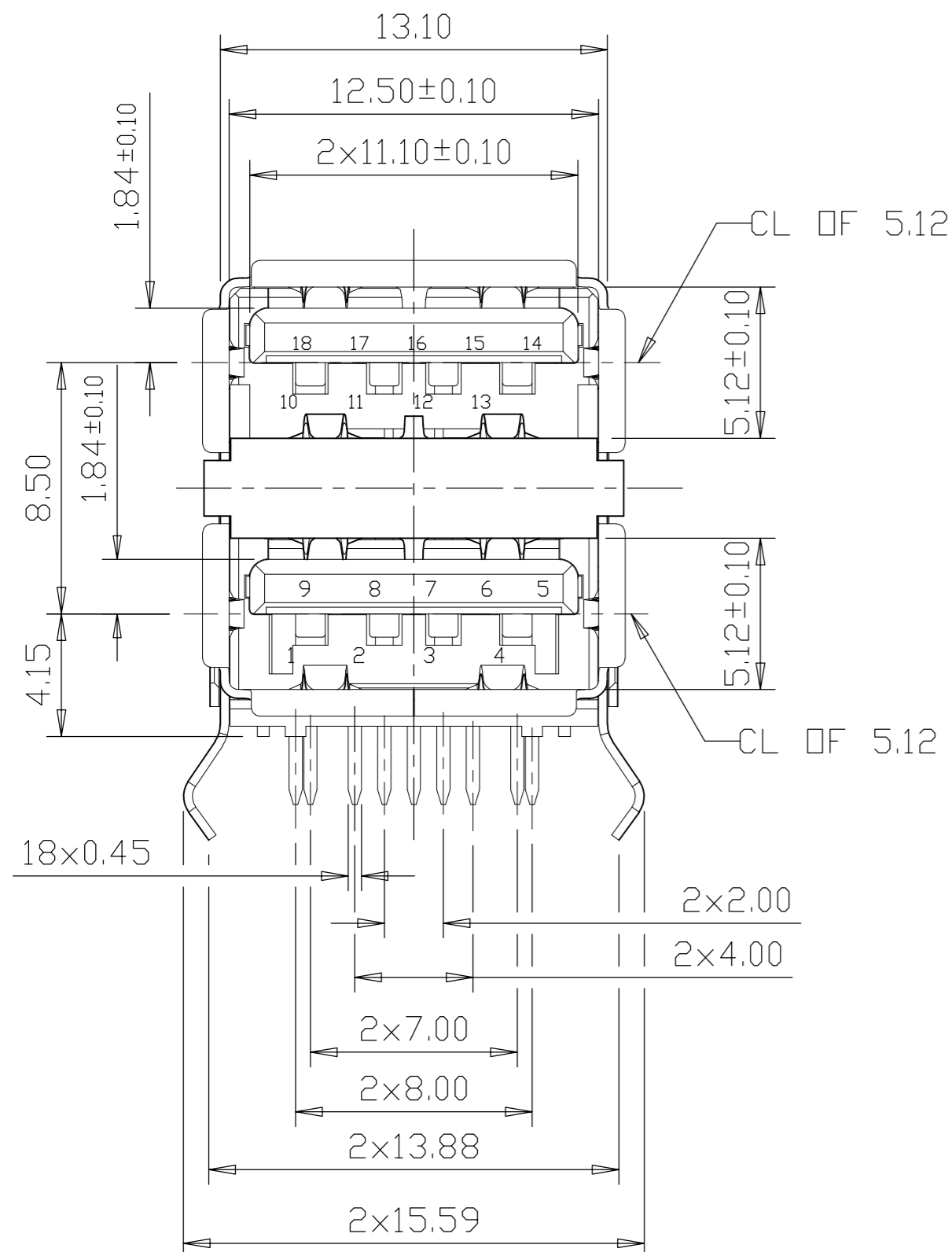
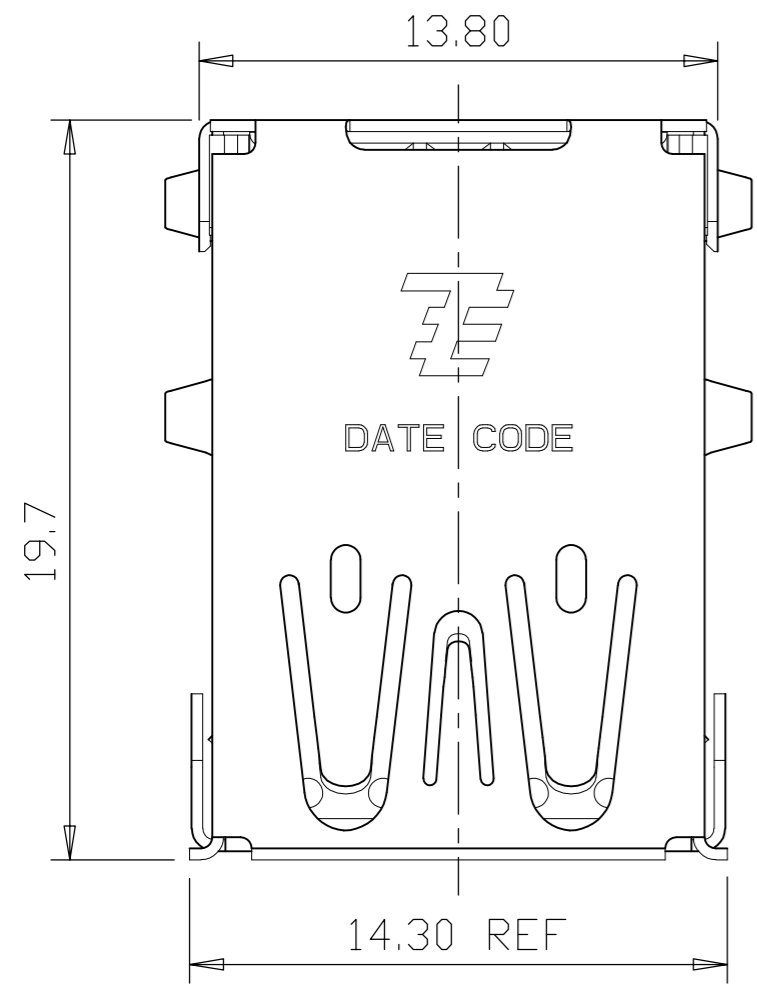
CUSTOMER DRAWING

| DIMENSIONS: | TOLERANCES UNLESS OTHERWISE SPECIFIED: |
|-------------|--|
| mm | 0 PLC ± - |
| | 1 PLC ± 0.3 |
| | 2 PLC ± 0.25 |
| | 3 PLC ± 0.05 |
| | 4 PLC ± 0.05 |
| | ANGLES ± F.L |
| MATERIAL: | FINISH: |
| - | - |

| LOC | | DIST | | REVISIONS | | | |
|-----|-----|-------------|------|-----------|------|--|--|
| P | LTR | DESCRIPTION | DATE | DWN | APVD | | |
| ES | 00 | SEE SHEET 1 | - | - | - | | |

PIN ASIGNMENTS:

| PIN NO. | Signal Name | Remark |
|---------|-------------|------------|
| 1 | 10 | VBUS |
| 2 | 11 | D- |
| 3 | 12 | D+ |
| 4 | 13 | GND |
| 5 | 14 | StdA_SSRX- |
| 6 | 15 | StdA_SSRX+ |
| 7 | 16 | GND_Drain |
| 8 | 17 | StdA_SSTX- |
| 9 | 18 | StdA_SSTX+ |



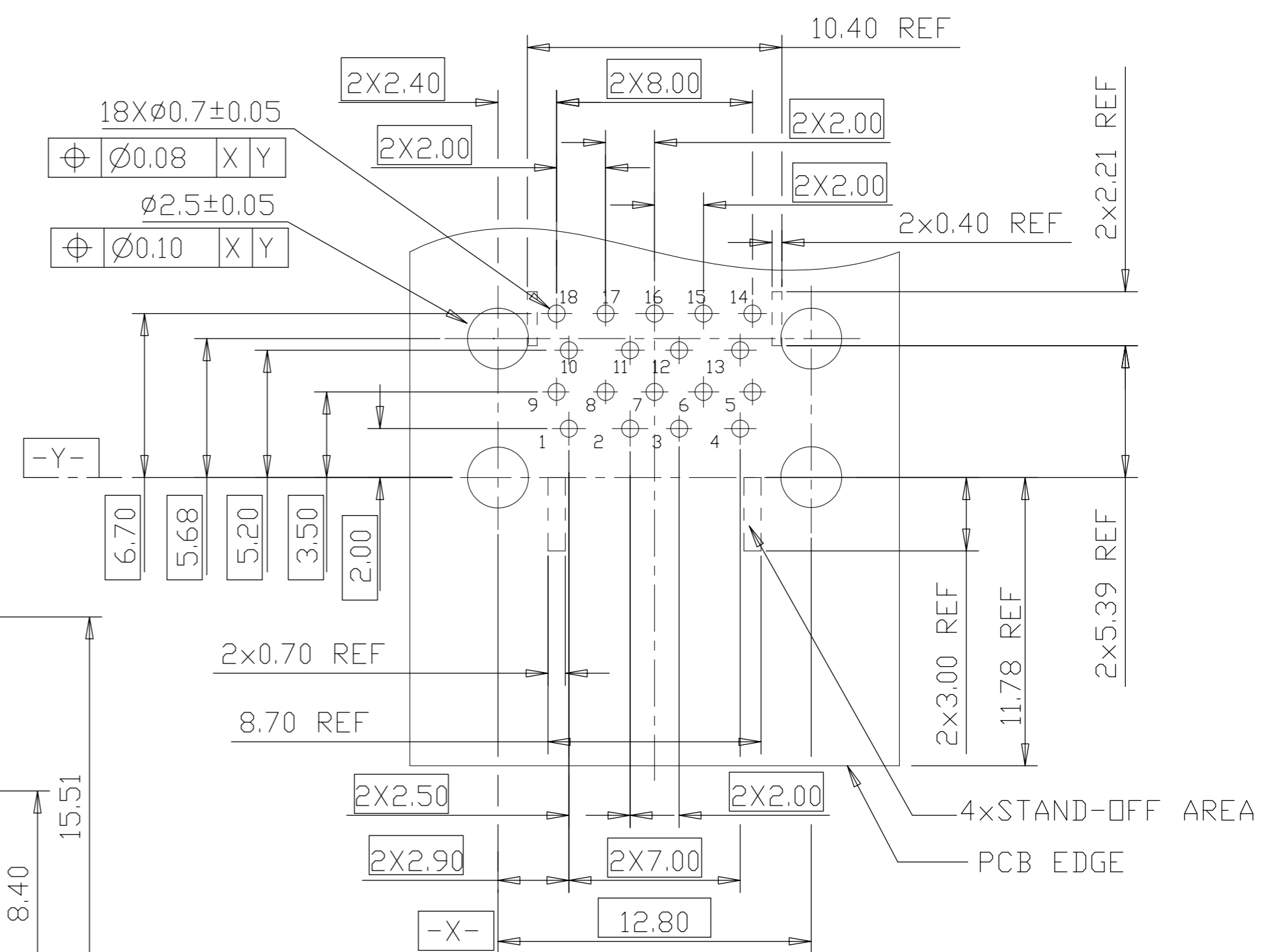
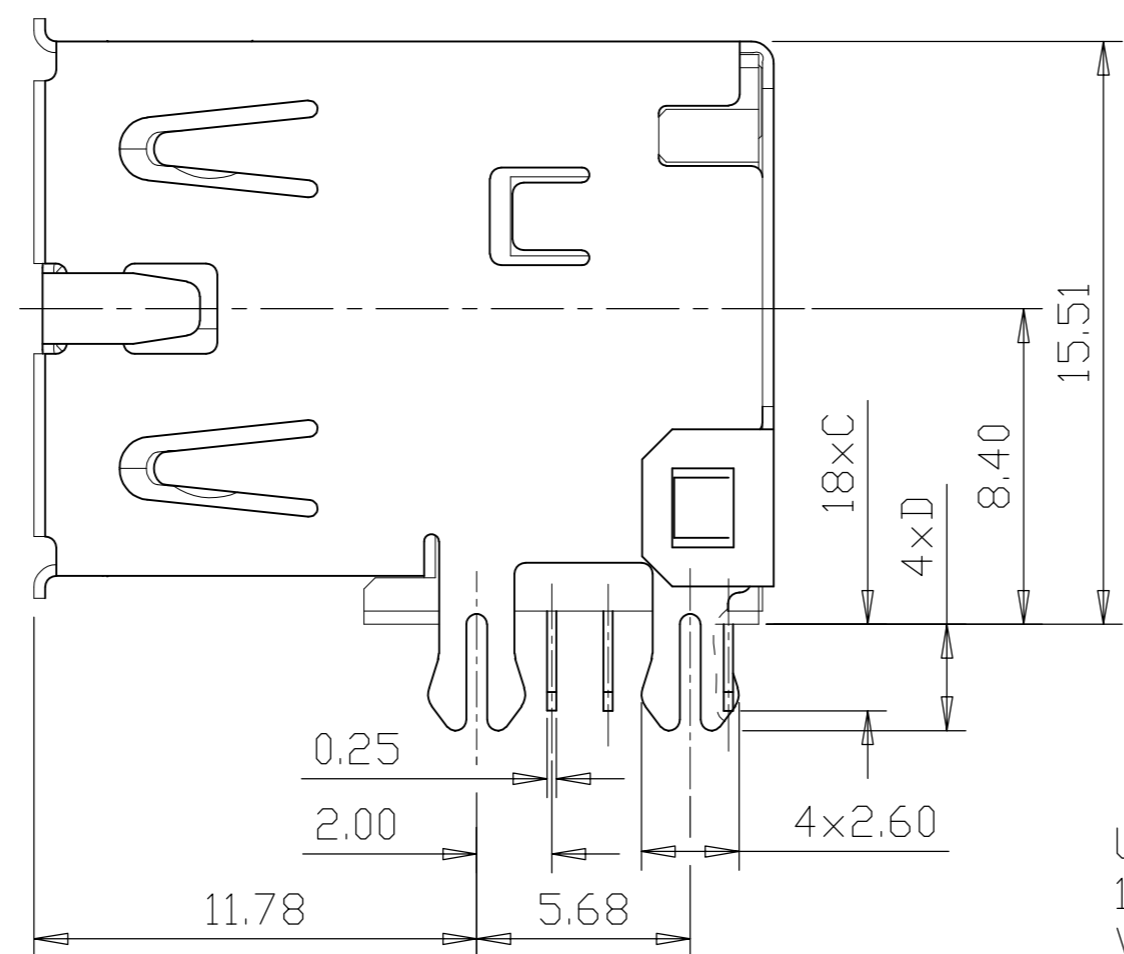
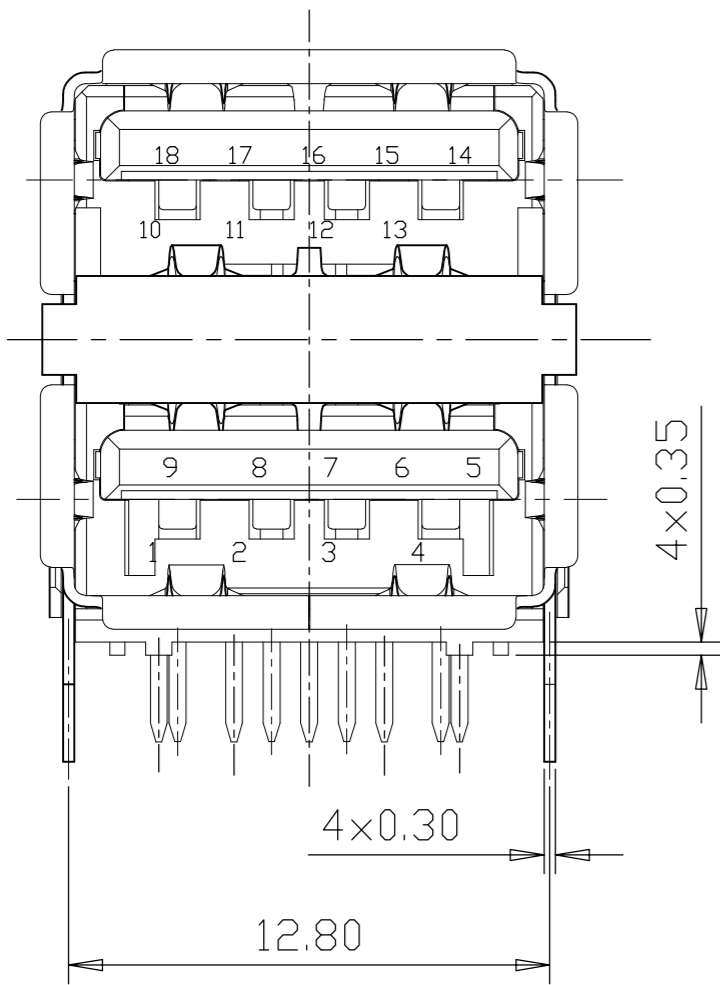
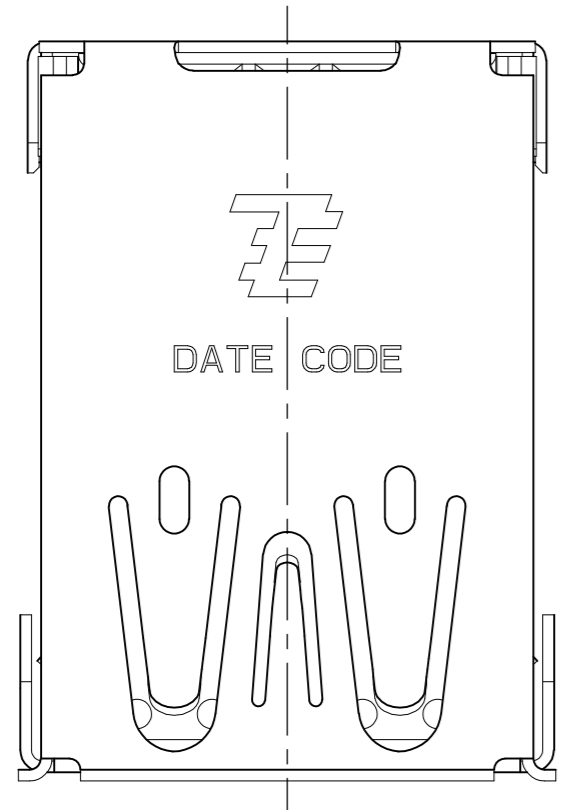
RECOMMENDED PCB LAYOUT (CONNECTOR SIDE)
 THE TOLERANCE OF PCB IS ±0.05mm

USB 3.0 CONNECTOR,
 1932355-1,-2,-3 AND
 1-1932355-1,-2,-3,-4,-5 WITH KINKS
 AS SHOWN.

| | | | | | |
|--|--|------------------------------|-----------------------------------|-----------------|------------|
| THIS DRAWING IS A CONTROLLED DOCUMENT. | | DWN 22AUG2011 FRANCIS LEE | | TE Connectivity | |
| DIMENSIONS: mm | | CHK 22AUG2011 MARTIN LI | | NAME | |
| TOLERANCES UNLESS OTHERWISE SPECIFIED: | | APVD 22AUG2011 STEVEN YAO | USB 3.0 STACKED A TYPE RECEPTACLE | | |
| 0 PLC ± - | | PRODUCT SPEC | SIZE | CAGE CODE | DRAWING NO |
| 1 PLC ± 0.3 | | APPLICATION SPEC | A2 | 00779 | C=1932355 |
| 2 PLC ± 0.25 | | WEIGHT | RESTRICTED TO | | |
| 3 PLC ± 0.05 | | FINISH | SCALE 4:1 SHEET 2 of 6 REV B1 | | |
| 4 PLC ± 0.05 | | CUSTOMER DRAWING | | | |
| ANGLES ± - | | | | | |
| MATERIAL | | | | | |

THIS DRAWING IS UNPUBLISHED. RELEASED FOR PUBLICATION 19NOV2009. ALL RIGHTS RESERVED.

| LOC | | DIST | | REVISIONS | | | |
|-----|-----|-------------|------|-----------|------|--|--|
| P | LTR | DESCRIPTION | DATE | DWN | APVD | | |
| ES | 00 | SEE SHEET 1 | - | - | - | | |



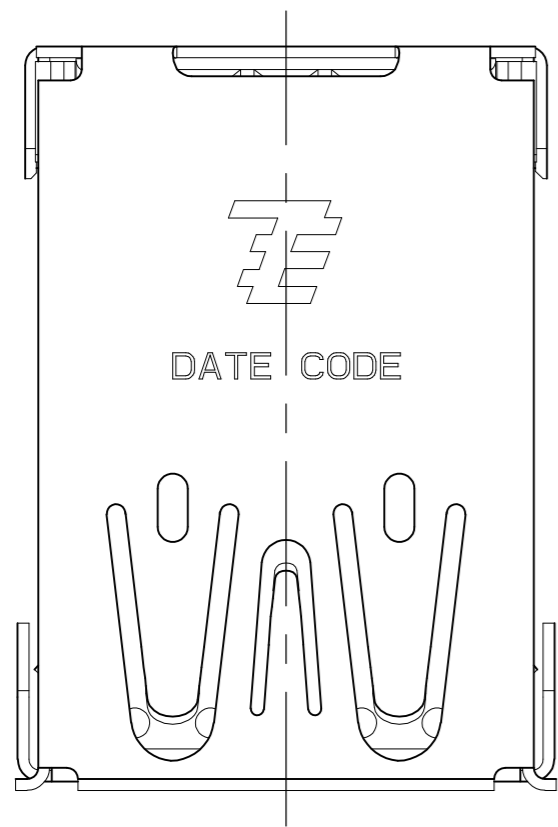
RECOMMENDED PCB LAYOUT (CONNECTOR SIDE)
THE TOLERANCE OF PCB IS ± 0.05 mm

USB 3.0 CONNECTOR
1932355-4,-5,-6,-7,-8,-9;1-1932355-6
WITH HOOKS, AS SHOWN;
UNMARKED SAME AS 1932355-1.

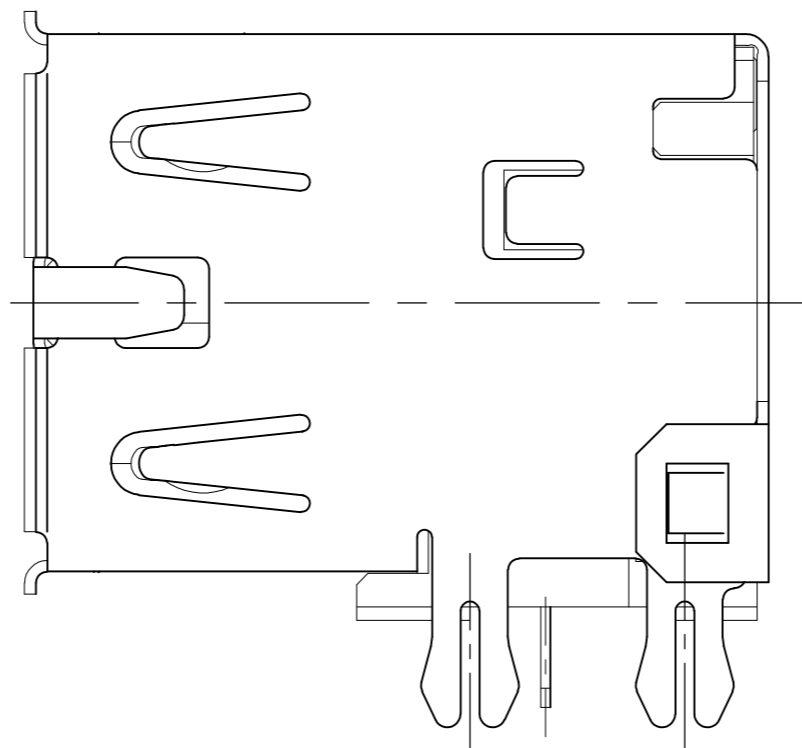
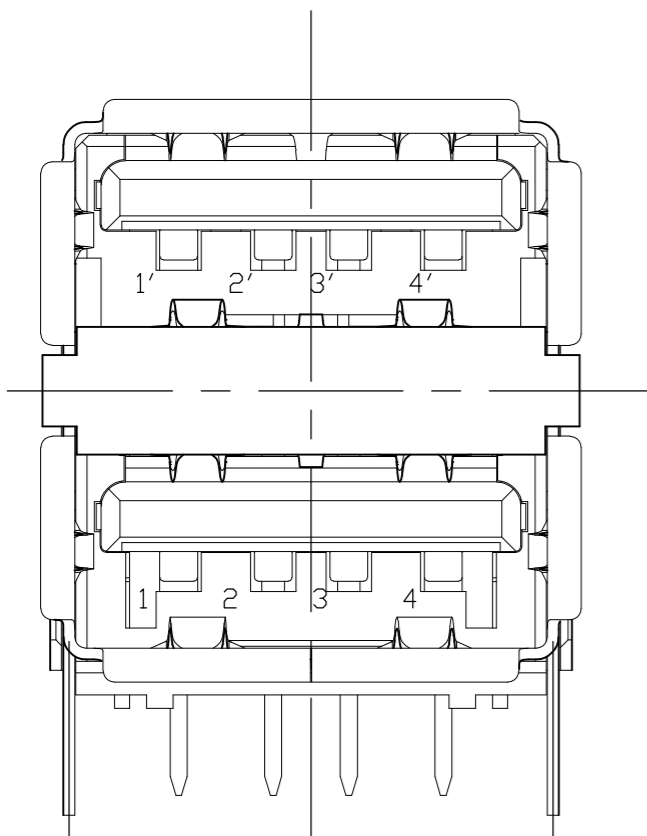
| | | | | | | | | | | | | | |
|---|--|--------------|-------------|-----------|--------|-----------------------------------|-----------|------------|---------------|-------|--------|-----|----|
| THIS DRAWING IS A CONTROLLED DOCUMENT. | | DWN | FRANCIS LEE | 22AUG2011 | | TE Connectivity | | | | | | | |
| DIMENSIONS: mm | | CHK | MARTIN LI | 22AUG2011 | | NAME | | | | | | | |
| TOLERANCES UNLESS OTHERWISE SPECIFIED: | | APVD | STEVEN YAO | 22AUG2011 | | USB 3.0 STACKED A TYPE RECEPTACLE | | | | | | | |
| 0 PLC \pm - 1 PLC \pm 0.3 2 PLC \pm 0.25 3 PLC \pm 0.05 4 PLC \pm 0.05 ANGLES \pm F.L. | | PRODUCT SPEC | - | | | SIZE | CAGE CODE | DRAWING NO | RESTRICTED TO | | | | |
| MATERIAL | | FINISH | - | | WEIGHT | - | | A2 00779 | C=1932355 | | | | |
| - | | - | | - | | CUSTOMER DRAWING | | SCALE | 4:1 | SHEET | 3 OF 6 | REV | B1 |

THIS DRAWING IS UNPUBLISHED. RELEASED FOR PUBLICATION 19NOV2009, - .
 © COPYRIGHT 19NOV2009- ALL RIGHTS RESERVED.

| LOC | | DIST | | REVISIONS | | | |
|-----|-----|-------------|------|-----------|------|--|--|
| P | LTR | DESCRIPTION | DATE | DWN | APVD | | |
| - | - | SEE SHEET 1 | - | - | - | | |



RECOMMENDED PCB LAYOUT PLEASE REFER TO PAGE: 3/6

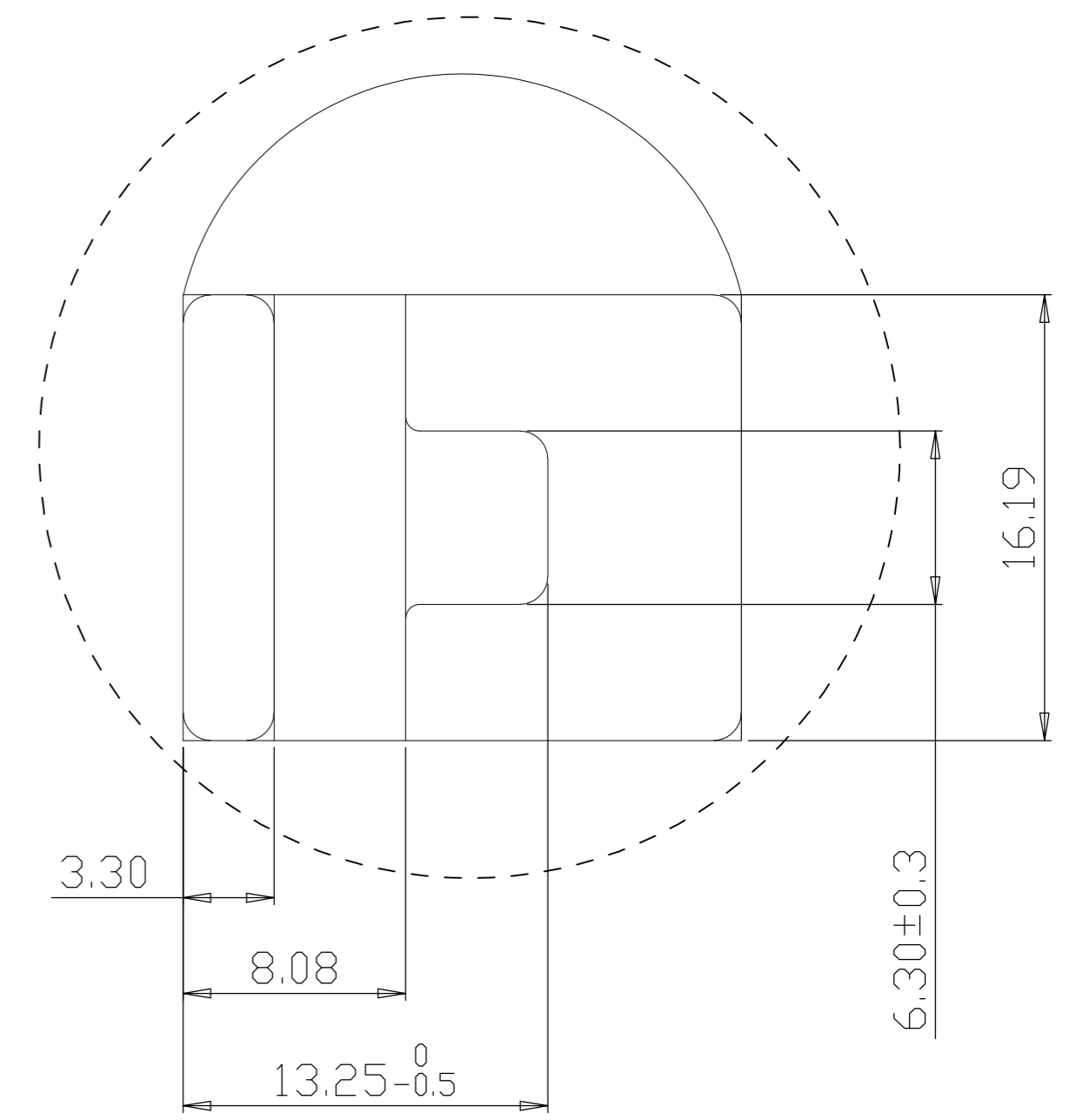
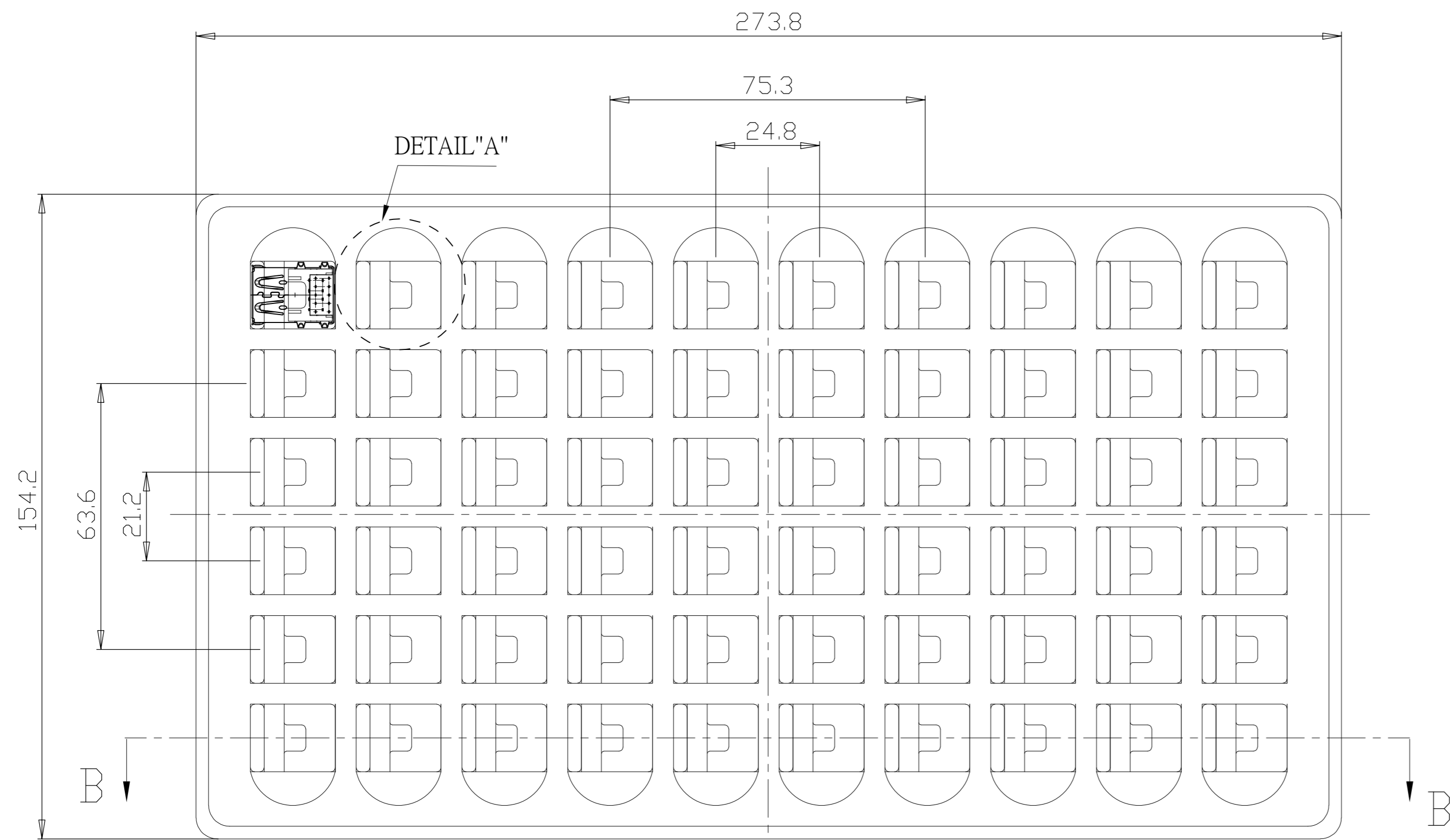


USB 2.0 CONNECTOR.
 2-1932355-1,-2 WITH HOOKS, AS SHOWN;
 UNMARKED SAME AS 1932355-5.

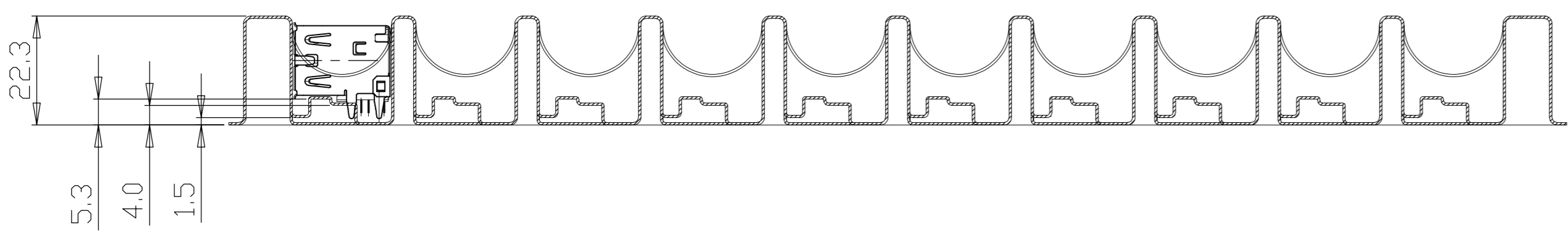
| | | | | |
|--|--|---------------------------|---|-----------------|
| THIS DRAWING IS A CONTROLLED DOCUMENT. | | DWN FRANCIS LEE 22AUG2011 | TE TE Connectivity | |
| DIMENSIONS: mm | | CHK MARTIN LI 22AUG2011 | | |
| TOLERANCES UNLESS OTHERWISE SPECIFIED: | | APVD STEVEN YAO 22AUG2011 | NAME | |
| 0 PLC ± - | | PRODUCT SPEC | USB 2.0 STACKED A TYPE RECEPTACLE PACKING DRAWING | |
| 1 PLC ± 0.3 | | APPLICATION SPEC | SIZE A2 | CAGE CODE 00779 |
| 2 PLC ± 0.25 | | WEIGHT - | DRAWING NO C=1932355 | RESTRICTED TO - |
| 3 PLC ± 0.05 | | CUSTOMER DRAWING | SCALE 4:1 | SHEET 4 OF 6 |
| 4 PLC ± 0.05 | | | REV B1 | |
| ANGLES ± F.L | | | | |
| FINISH - | | | | |

THIS DRAWING IS UNPUBLISHED. RELEASED FOR PUBLICATION 19NOV2009, -
 © COPYRIGHT 19NOV2009- ALL RIGHTS RESERVED.

| LOC | | DIST | | REVISIONS | | | |
|-----|-----|-------------|--|-----------|-----|------|--|
| P | LTR | DESCRIPTION | | DATE | DWN | APVD | |
| - | - | SEE SHEET 1 | | - | - | - | |



DETAIL A
SCALE: 4:1

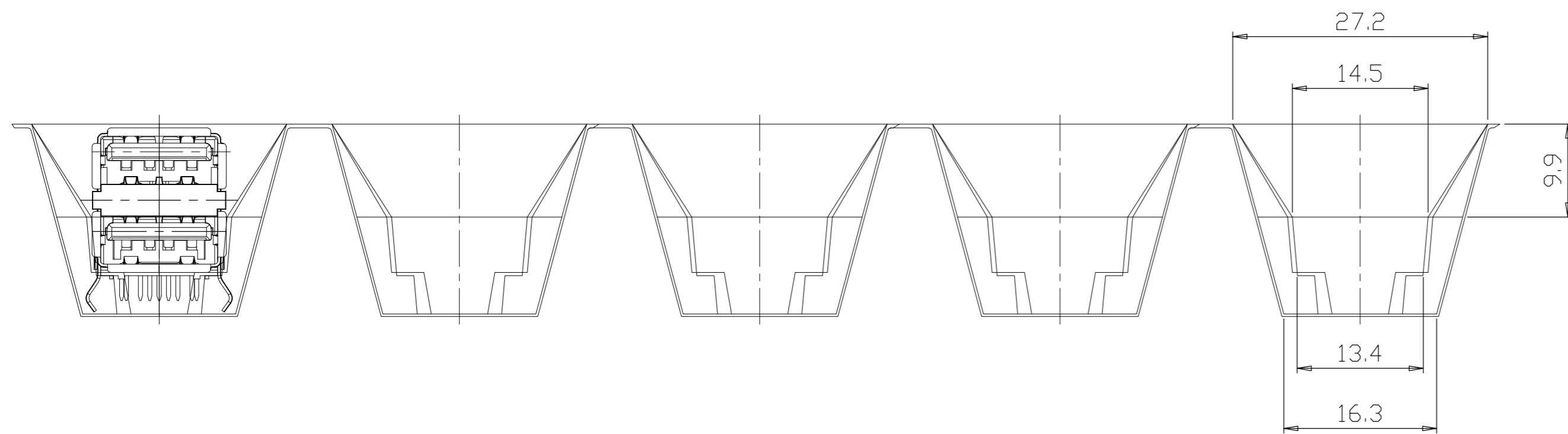
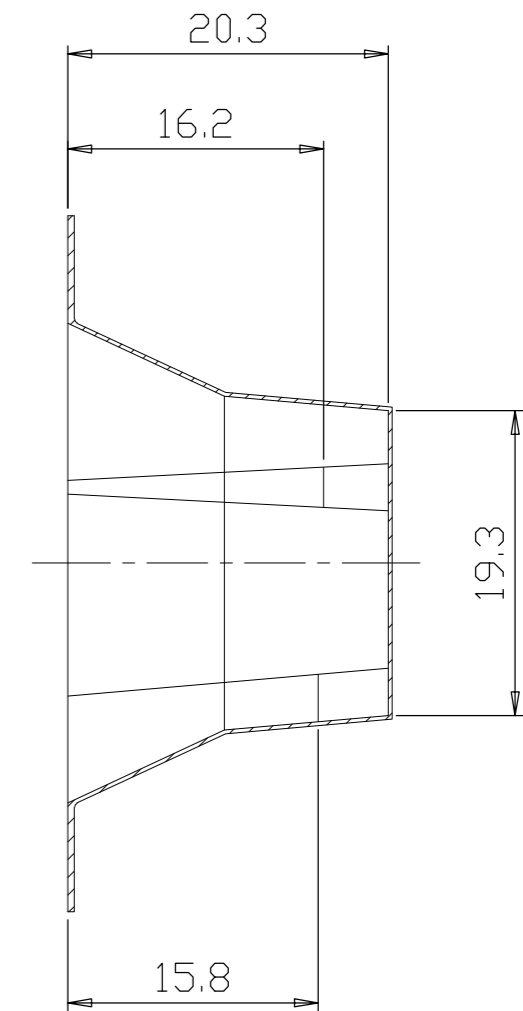
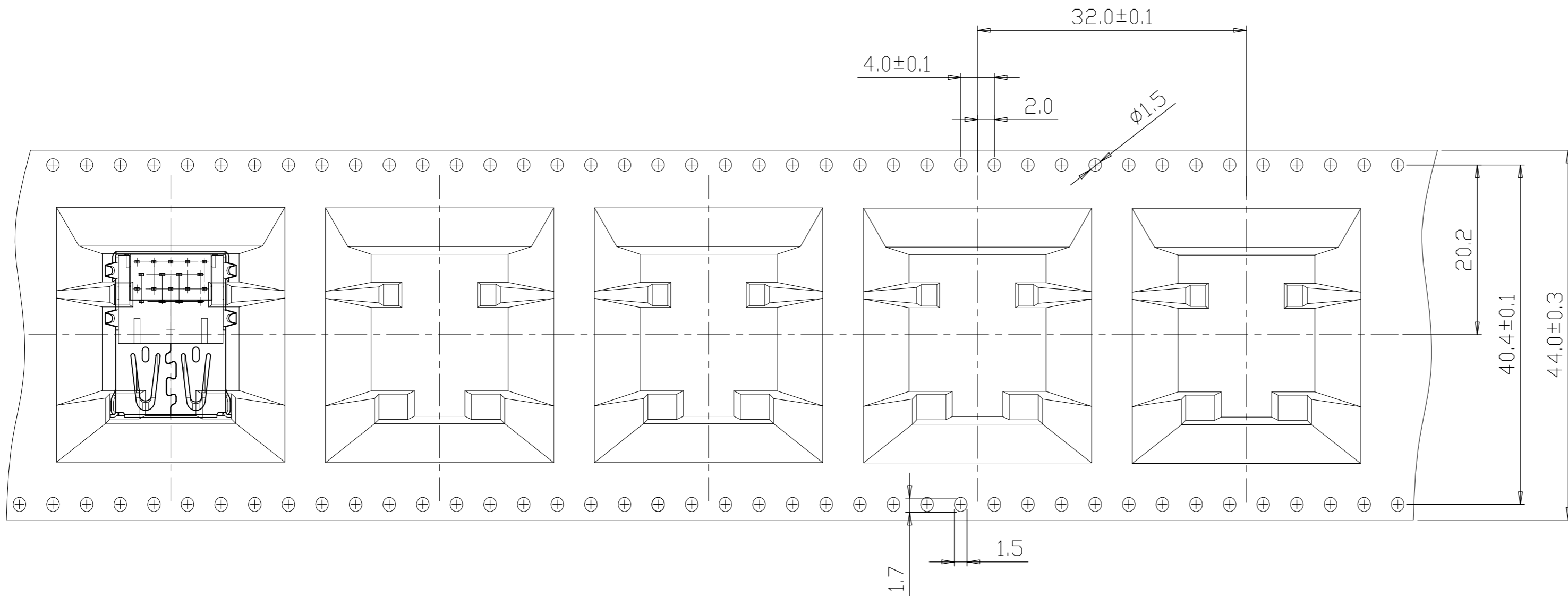


TRAY PACKAGE ONLY FOR
 1932355-1,-2,-3,-4,-5,-6,-7,-8,-9
 AND 1-1932355-1,-2,-3,-6
 AND 2-1932355-1,-2

| | | | | | | | | | | |
|---|--|--------------|------------|-----------|--|---|------------|---------------|-----|----|
| THIS DRAWING IS A CONTROLLED DOCUMENT. | | DWN | FRANCS LEE | 22AUG2011 | | TE Connectivity | | | | |
| DIMENSIONS: mm | | CHK | MARTIN LI | 22AUG2011 | | NAME | | | | |
| TOLERANCES UNLESS OTHERWISE SPECIFIED: | | APVD | STEVEN YAO | 22AUG2011 | | USB 2.0/3.0 STACKED A TYPE RECEPTACLE PACKING DRAWING | | | | |
| 0 PLC ± - 1 PLC ± 0.3 2 PLC ± 0.25 3 PLC ± 0.05 4 PLC ± 0.05 ANGLES ± F.L. | | PRODUCT SPEC | | SIZE | | CAGE CODE | DRAWING NO | RESTRICTED TO | | |
| MATERIAL | | FINISH | | WEIGHT | | A2 | 00779 | C=1932355 | - | |
| CUSTOMER DRAWING | | | | SCALE | | 1:1 | SHEET | 5 of 6 | REV | B1 |

THIS DRAWING IS UNPUBLISHED. RELEASED FOR PUBLICATION 19NOV2009, -
 © COPYRIGHT 19NOV2009- ALL RIGHTS RESERVED.

| LOC | | DIST | | REVISIONS | | | |
|-----|-----|-------------|------|-----------|------|--|--|
| P | LTR | DESCRIPTION | DATE | DWN | APVD | | |
| - | - | SEE SHEET 1 | - | - | - | | |



TAPE REEL PACKAGE ONLY FOR
1-1932355-4,-5

| | | | | |
|--|--|---------------------------|---|-----------------|
| THIS DRAWING IS A CONTROLLED DOCUMENT. | | DWN FRANCIS LEE 22AUG2011 | | |
| DIMENSIONS: mm | | CHK MARTIN LI 22AUG2011 | | |
| TOLERANCES UNLESS OTHERWISE SPECIFIED: | | APVD STEVEN YAO 22AUG2011 | NAME | |
| 0 PLC ± - | | PRODUCT SPEC | USB 3.0 STACKED A TYPE RECEPTACLE PACKING DRAWING | |
| 1 PLC ± 0.30 | | APPLICATION SPEC | SIZE A2 | CAGE CODE 00779 |
| 2 PLC ± 0.25 | | WEIGHT - | DRAWING NO C=1932355 | RESTRICTED TO - |
| 3 PLC ± 0.05 | | CUSTOMER DRAWING | SCALE 1:1 | SHEET 6 OF 6 |
| 4 PLC ± 0.05 | | | | REV B1 |
| ANGLES ± F.L | | | | |
| FINISH - | | | | |