



Chipsmall Limited consists of a professional team with an average of over 10 year of expertise in the distribution of electronic components. Based in Hongkong, we have already established firm and mutual-benefit business relationships with customers from,Europe,America and south Asia,supplying obsolete and hard-to-find components to meet their specific needs.

With the principle of "Quality Parts,Customers Priority,Honest Operation,and Considerate Service",our business mainly focus on the distribution of electronic components. Line cards we deal with include Microchip,ALPS,ROHM,Xilinx,Pulse,ON,Everlight and Freescale. Main products comprise IC,Modules,Potentiometer,IC Socket,Relay,Connector.Our parts cover such applications as commercial,industrial, and automotives areas.

We are looking forward to setting up business relationship with you and hope to provide you with the best service and solution. Let us make a better world for our industry!



Contact us

Tel: +86-755-8981 8866 Fax: +86-755-8427 6832

Email & Skype: info@chipsmall.com Web: www.chipsmall.com

Address: A1208, Overseas Decoration Building, #122 Zhenhua RD., Futian, Shenzhen, China



Full-Time Continuous Monitor Installation, Operation and Maintenance



Made in the
United States of America



Figure 1. Desco Full-Time Continuous Monitor

Description

Leading companies use continuous monitors as a cost effective component in satisfying the paragraph 6.1.3 Compliance Verification Plan requirements of ANSI/ESD S20.20. The Desco Full Time Continuous Monitor provides 100% monitoring of both the operator and the work surface. This unit provides continuous monitoring of:

- One user wearing a wrist strap
- ESD worksurface
- Ground
- AC outlet

Note: Worksurface must have a conductive layer such as Dual Layer Rubber, Dissipative 3-Layer Vinyl or Micastat® Dissipative Laminate with conductive buried layers. Desco Continuous Monitors are not recommended for use with homogeneous matting.

If the unit detects that the elements are outside industry standards, the continuous monitor will alarm with both an audible alarm and an illuminated red LED to notify the user of a problem.

Unlike many units, the Full Time Continuous Monitor also continuously verifies ground (AC outlet ground). When the Power Cord is plugged in, a self-test runs automatically. If the AC outlet is wired incorrectly, both red LEDs will illuminate and the audible alarm will sound. The unit has an additional ground point for a user or supervisor.

The Full Time Continuous Monitor is available in one model:

| Item | Input Voltage | Power Cord |
|-------|---------------|---------------|
| 19325 | 120VAC | North America |

ADVANTAGES OF WORKSTATION CONTINUOUS MONITORING OVER PERIODIC TESTING

Many customers are eliminating periodic testing and are utilizing workstation continuous monitoring to better ensure that their products were manufactured in an ESD controlled environment. Full time workstation continuous monitoring is superior to pulsed monitoring as well as periodic testing, and can save a significant amount of money in testing costs and rejected products. Periodic testing detects failures after ESD susceptible products have been manufactured. The costs of dealing with the resulting catastrophic or latent defects can be considerable. Full Time Continuous Monitors eliminate the need for users to test wrist straps and log the results; by their function, these monitors satisfy the ISO 9000 and ANSI/ESD S20.20 Paragraph 6.2.2.2. test logging requirements. Per ESD-S1.1 paragraph 6.1.3 Frequency of Functional Testing "Daily (Wrist Strap) testing may be omitted if constant monitoring is used."

Per ESD Handbook TR 20.20 paragraph 5.3.2.4.4 Test Frequency "Because wrist straps have a finite life, it is important to develop a test frequency that will guarantee integrity of the system. Typical test programs recommend that wrist straps that are used daily should be tested daily. However, if the products that are being produced are of such value that knowledge of a continuous, reliable ground is needed, and then continuous monitoring should be considered or even required."

WAVE DISTORTION DETECTION TECHNOLOGY PROVIDES TRUE 100% CONTINUOUS MONITORING

Desco utilizes wave distortion technology for the Full Time Continuous Monitor, which is an Impedance type monitor.

Per ESD TR12-01 section 2.2 Impedance (or single wire) constant monitors "The capacitance type of monitor is also known as an impedance monitor. They both work on the same theory, however the impedance monitor uses a detection circuit designed to reduce false alarms and eliminate adjustments. 'Single Wire' or 'impedance type' monitors use the phase difference between current and voltage to detect changes in impedance of the cord, band and person. A very low AC voltage is used for constant sensing. Any standard wristband and coiled cord can be used."

Thus the wave distortion circuitry monitors current/voltage phase shifts and provides true 100% continuous monitoring. Electrical current will lead voltage at various points due to the combinations of resistance and capacitive reactance. By monitoring these "distortions" or phase shifts, the wave distortion Full Time Continuous Monitor will reliably determine if the circuit is complete.

Wave distortion technology can be referred to as “vector impedance monitoring”. This description is valid as the wave distortion technology measures the impedance at the monitored banana jack and looks for changes in either the capacitance or resistance of the circuit which includes the wrist strap and its wearer. It uses filtering and time domain sampling to filter out false signals caused by voltage offsets, 60 Hz fields and other electro-magnetic and electrostatic interference.

In normal factory environments, and with persons whose capacitance with respect to ground is within design limits (5 feet tall 90 pound person to 6 foot 5 inch 250 pound person), the Full Time Continuous Monitor cannot be “fooled”. It will provide a reliable alarm only when the wrist strap or work surface becomes dysfunctional or unsafe according to accepted industry standards. The Full Time Continuous Monitor is drift-free and designed to be insensitive to the effects of squeezing or stretching the coil cord.

ADVANTAGES OF WAVE DISTORTION AND SINGLE-WIRE TECHNOLOGY

The Desco Full Time Continuous Monitor allows the use of any standard, single-wire wrist strap and coil cord. The monitor / wrist strap / cord system life-cycle costs are by far lower than alternative systems which require dual-wire cords and special wrist straps. Dual-wire cords are expensive and are the weak link of the system, the most likely component to need replacement. Over a five year period, this can make the dual-wire system three to five times as expensive as a system utilizing single-wire wrist straps and cords. See Calibration section on page 4 to minimize life cycle costs.

The dictionary defines constant as uniform and unchanging, and continuous as uninterrupted. Nonetheless, some dual-wire resistance monitors utilize a pulsed test current and do not really provide continuous monitoring. For example, during each 2.2 second pulse cycle of a leading “constant” resistive monitor, electrical current is pulsed for only 0.2 seconds followed by an unmonitored interval of 2 seconds. This leaves the user/wrist strap unmonitored for over 90% of each cycle. Damaging static charges can easily occur in the portion of the time in between the pulses. The off period of 2 seconds equals 2 billion nanoseconds, and “it takes only about 25 volts applied for 100 nanoseconds to blow most memories or microprocessors”.* Some dual-wire systems do not reliably meet all industry specifications, as the cords may not meet the EOS/ESD S-1.0 paragraph 4.1.6 one to five pound “breakaway force” requirement for operator safety.

By using the reliable wave distortion technology to determine if the circuit is complete, there are no false alarms. There is no need to adjust or tune the monitor to a specific user or installation. The miniscule amount of electrical current (less than 1 volt coil cord signal) required to generate the waveform has never caused reported skin irritation and is extremely safe for use in voltage sensitive applications such as disk drive manufacturing.

Packaging

- 1 Full-Time Continuous Monitor
- 1 Power Cord
- 1 Mat Monitor Cord (Black)
- 1 Ground Cord (Green and Yellow)
- 2 Push and Clinch Snaps
- 1 Hook and Loop Fastener Strip
- 1 Certificate of Calibration

Features and Components

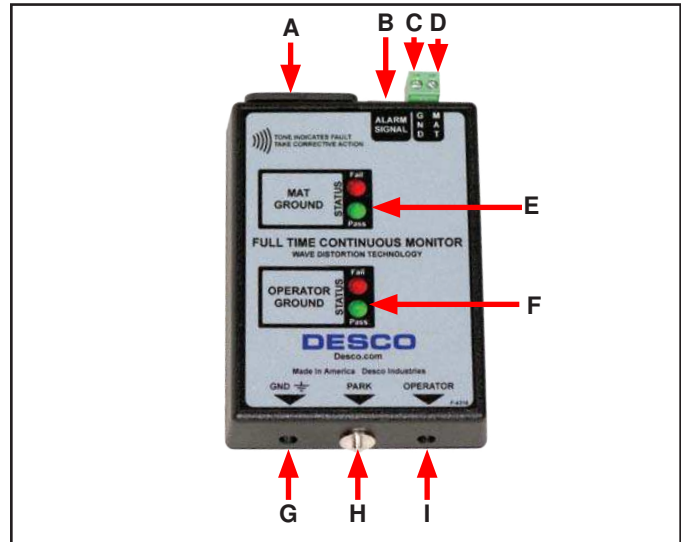


Figure 2. Full-Time Continuous Monitor features and components

- A. IEC Power Cord Inlet:** Connect the power cord here.
- B. I/O Signal Output:** Contact Desco Customer Service for more information
- C. Monitored Ground Terminal:** Grounds the worksurface mat. Connect the green and yellow ground cord here.
- D. Monitored Mat Terminal:** Monitors the worksurface mat. Connect the black mat monitor cord here.
- E. Mat Ground LEDs:** When the green LED is illuminated, the worksurface mat is properly grounded. When the red LED is illuminated and the alarm sounds, the worksurface mat is not properly grounded.
- F. Operator Ground LEDs:** When the green LED is illuminated, the operator is properly grounded. When the red LED is illuminated and the alarm sounds, the operator is not properly grounded.
- G. Auxiliary Ground:** Unmonitored banana jack ground point.

H. 4mm Parking Snap: When touched by the operator, this snap will deactivate the alarm for six seconds. This allows time for the operator to disconnect the coil cord from the wrist band and park it on this snap. While parked, the coil cord disables the alarm, allowing the operator to leave the workstation. The OPERATOR GROUND LED will remain off while the cord is parked. Upon returning and removing the coil cord from the parking snap, the operator has six seconds to hook up to the wrist band before the alarm sounds.

I. Monitored Operator Jack: Where the operator inserts the wrist cord plug.

Installation

Remove the monitor from its packaging and inspect for any shipping damage. Confirm that the work surface is 1×10^7 ohms or less and has a conductive layer such as Dual Layer Rubber, Dissipative 3-Layer Vinyl, or Micastat® Dissipative Laminate with conductive buried layers.

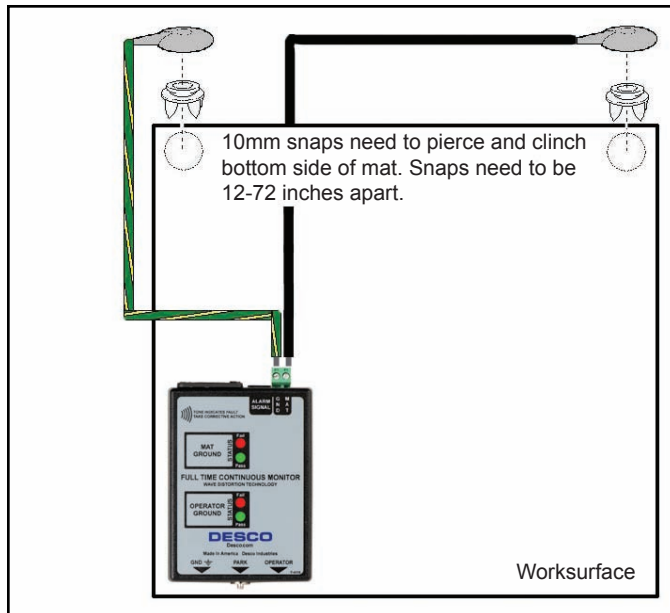


Figure 3. Installing the Full-Time Continuous Monitor

1. Locate a nearby power outlet and test it for proper wiring and grounding. We recommend the [Desco AC Outlet Analyzer](#) to verify proper wiring and ground.
2. The Full-Time Continuous Monitor may be mounted to a convenient location using the included hook and loop strip. It is normally mounted toward the front edge of a workstation where the LEDs are easily visible.
3. Install Screws and Washers or Push and Clinch snaps 12 to 72 inches apart from each other on the work surface mat. Make sure that they pierce and clinch the bottom side of the mat.
4. Snap both ground cords to the push and clinch snaps installed to the worksurface mat.
5. Route the black ground cord to the monitor's green terminal block labeled MAT.

6. Route the green ground cord to the monitor's green terminal block labeled GND.
7. Connect the power cord to the monitor's power jack, and connect the other end to a proper voltage source.

Operation

When the Full-Time Continuous Monitor is installed to an ESD protective worksurface and grounded via a power cord, the green MAT GROUND LED and red OPERATOR GROUND LED should illuminate. The monitor takes 6 seconds to activate its alarm circuitry when first powered.

- Correct wiring of the outlet is confirmed when the monitor is plugged in.
- The worksurface resistance is measured between the two snaps installed to the mat worksurface.

USING THE MONITOR

1. Plug a wrist strap cord, not attached to the wristband, into the monitored banana jack labeled OPERATOR on the front of the unit. This automatically activates the selected operator channel. The red operator LED should illuminate, and the audible alarm will sound after the activation period.
2. Remove the charges from your body by making contact with a properly grounded ESD worksurface. Snap the cord to the wristband, and fit it snugly onto your wrist. This should silence the audible alarm and cause the OPERATOR GROUND LED to switch from red to green. If this does not happen, examine the wrist cord for continuity or damage and your wrist band to ensure that it is securely fit. If you have dry skin, apply an approved dissipative hand lotion such as [Menda Reztore™ ESD Hand Lotion](#). When leaving the area, the user can take the wrist cord along or attach it to the monitor parking snap. The audible alarm will shut off when operator wrist cord is removed from unit and or when the cord is attached to the parking snap.

NOTE: Removing the banana plug from the monitor's operator jack will disable the audible alarm.

PARKING SNAP

The audible alarm is designed to alert both the operator and supervisor. The parking snap feature allows the operator to disconnect when leaving the work area without sounding the audible alarm. It also provides a means for wrist cord storage (red OPERATOR GROUND LED will illuminate). When the operator touches the parking snap, the audible alarm will disable for 6 seconds. The user can then disconnect the wrist cord from the wrist band and attach it to the parking snap for storage.

WORK SURFACE CHANNEL

The Full Time Continuous Monitor's circuitry is sufficiently sensitive to detect extremely low current when used with a worksurface with a conductive layer.

Note: The monitor will not detect insulative contamination on the worksurface. "Insulative contamination can increase the resistance to ground making the worksurface ineffective." (ESD TR12-01 section 3.1 Worksurface monitors). ESD worksurfaces should be kept clean using an approved ESD cleaner like Reztore™ Antistatic Surface & Mat Cleaner. When the monitor is connected to an ESD worksurface, the amount of current that flows is a function of the total resistance between the Continuous Monitor and through the worksurface to ground. When the resistance of the worksurface is below a pre-set threshold, the monitor will indicate Pass. Conversely, if the resistance level is high when compared to the monitor's reference, the unit will fail and alarm. This is an integrating resistance measuring circuit, therefore it is relatively insensitive to externally induced electromagnetic fields. The resistance threshold is factory set to 10 megohms. (It can be special ordered to other limits. Contact manufacturer for specifications).

Specifications

| | |
|----------------------------------|--|
| Test range of monitored circuit | 500K - 10M ohms† |
| Worksurface limit* | Set to 10 megohms |
| Power Source | 120 VAC 50-60 Hz |
| Current Drain | <15 mA RMS |
| Wrist strap open circuit voltage | 1.2 volts peak to peak @ 1-2 MicroAmps |
| Mat test open circuit voltage | 5 to 7.5 volts |
| Response time to alarm | <50 mS |
| Standby "parking" snap delay | 6-8 seconds |
| Long Term Drift | 1/2% per decade (1st decade is 1 hr) |
| Temperature | 10-40 degrees C |
| Field Adjustment | None required |
| Size | .75" x 3.25" x 4.38" (1.9cm x 8.3cm x 11.1cm) |

† This cannot be verified with standard DC test equipment. The continuous monitor is an impedance sensing device and the limits are determined by the magnitude and angle of the impedance.

* Contact Desco Customer Service for special limits.

Maintenance and Calibration

The Full-Time Continuous Monitor is solid state and designed to be maintenance free. It is calibrated to standards traceable to NIST. There are no user adjustments that can be made.

Because of the impedance sensing nature of the test circuit, special equipment is required for calibration. We recommend that calibration be performed annually, using the Desco 98220 Single-Wire Monitor Calibration Unit. This Calibration Unit is a most important product which allows the customer to perform NIST traceable calibration on Desco single-wire continuous monitors. It is designed to be used on the shop floor at the workstation, virtually eliminating downtime, verifying that the continuous monitor is operating within tolerances.



Figure 7. Desco [98220](#) Single-Wire Monitor Calibration Unit

Limited Warranty

Desco expressly warrants that for a period of one (1) year from the date of purchase Desco Continuous Monitors will be free of defects in material (parts) and workmanship (labor). Within the warranty period, a credit for purchase of replacement Desco Continuous Monitors, or, at Desco's option, the Continuous Monitor will be repaired or replaced free of charge. If product credit is issued, the amount will be calculated by multiplying the unused portion of the expected one year life times the original unit purchase price. Call our Customer Service Department at 909-627-8178 (Chino, CA) or 781-821-8370 (Canton, MA) for a Return Material Authorization (RMA) and proper shipping instructions and address. Please include a copy of your original packing slip, invoice, or other proof of date of purchase. Any unit under warranty should be shipped prepaid to the Desco factory. Warranty replacements will take approximately two weeks.

If your unit is out of warranty, call our Customer Service Department at 909-627-8178 (Chino, CA) or 781-821-8370 (Canton, MA) for a Return Material Authorization (RMA) and proper shipping instructions and address. Desco will quote repair charges necessary to bring your unit up to factory standards.

Warranty Exclusions

THE FOREGOING EXPRESS WARRANTY IS MADE IN LIEU OF ALL OTHER PRODUCT WARRANTIES, EXPRESSED AND IMPLIED, INCLUDING MERCHANTABILITY AND FITNESS FOR A PARTICULAR PURPOSE WHICH ARE SPECIFICALLY DISCLAIMED. The express warranty will not apply to defects or damage due to accidents, neglect, misuse, alterations, operator error, or failure to properly maintain, clean or repair products.

Limit of Liability

In no event will Desco or any seller be responsible or liable for any injury, loss or damage, direct or consequential, arising out of the use of or the inability to use the product. Before using, users shall determine the suitability of the product for their intended use, and users assume all risk and liability whatsoever in connection therewith.