



Chipsmall Limited consists of a professional team with an average of over 10 year of expertise in the distribution of electronic components. Based in Hongkong, we have already established firm and mutual-benefit business relationships with customers from,Europe,America and south Asia,supplying obsolete and hard-to-find components to meet their specific needs.

With the principle of “Quality Parts,Customers Priority,Honest Operation,and Considerate Service”,our business mainly focus on the distribution of electronic components. Line cards we deal with include Microchip,ALPS,ROHM,Xilinx,Pulse,ON,Everlight and Freescale. Main products comprise IC,Modules,Potentiometer,IC Socket,Relay,Connector.Our parts cover such applications as commercial,industrial, and automotives areas.

We are looking forward to setting up business relationship with you and hope to provide you with the best service and solution. Let us make a better world for our industry!



Contact us

Tel: +86-755-8981 8866 Fax: +86-755-8427 6832

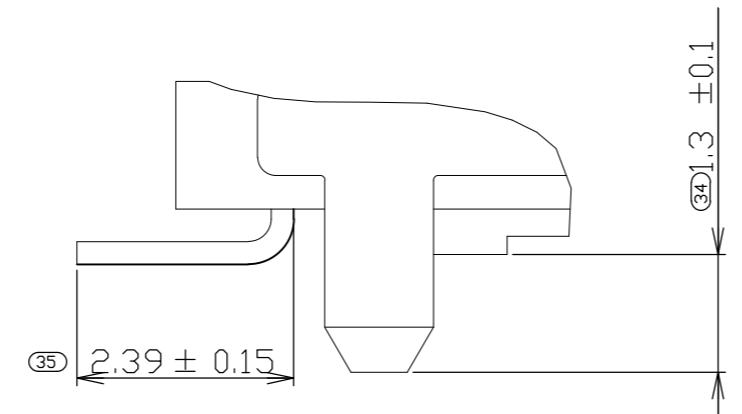
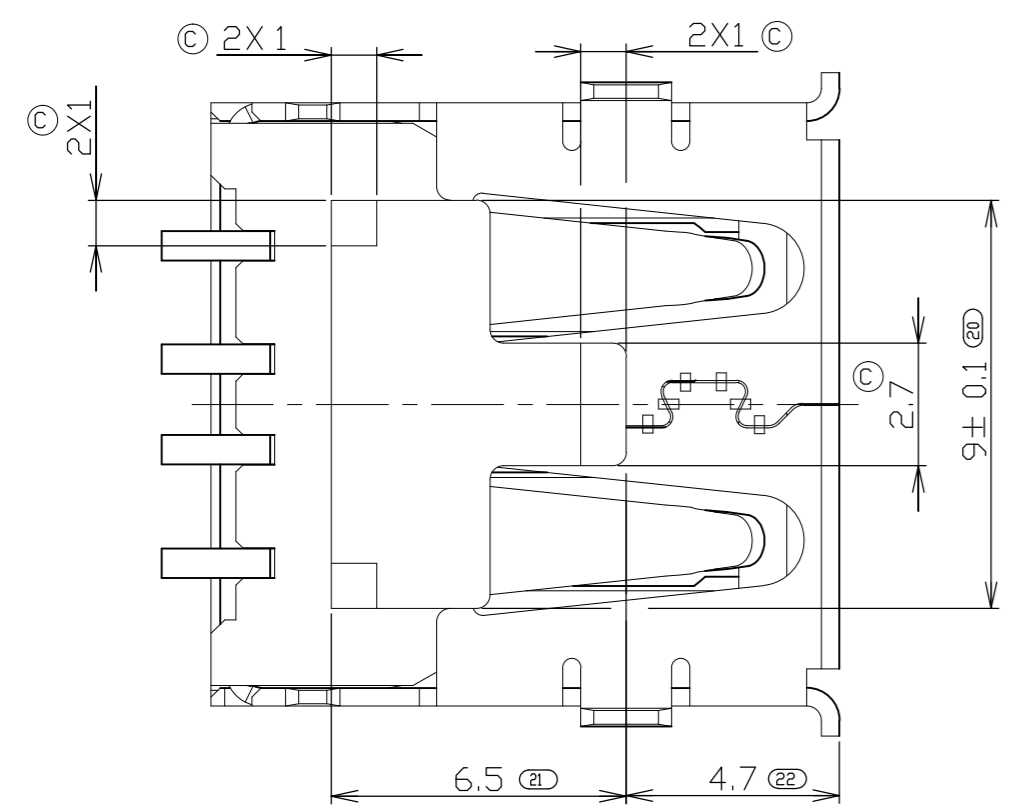
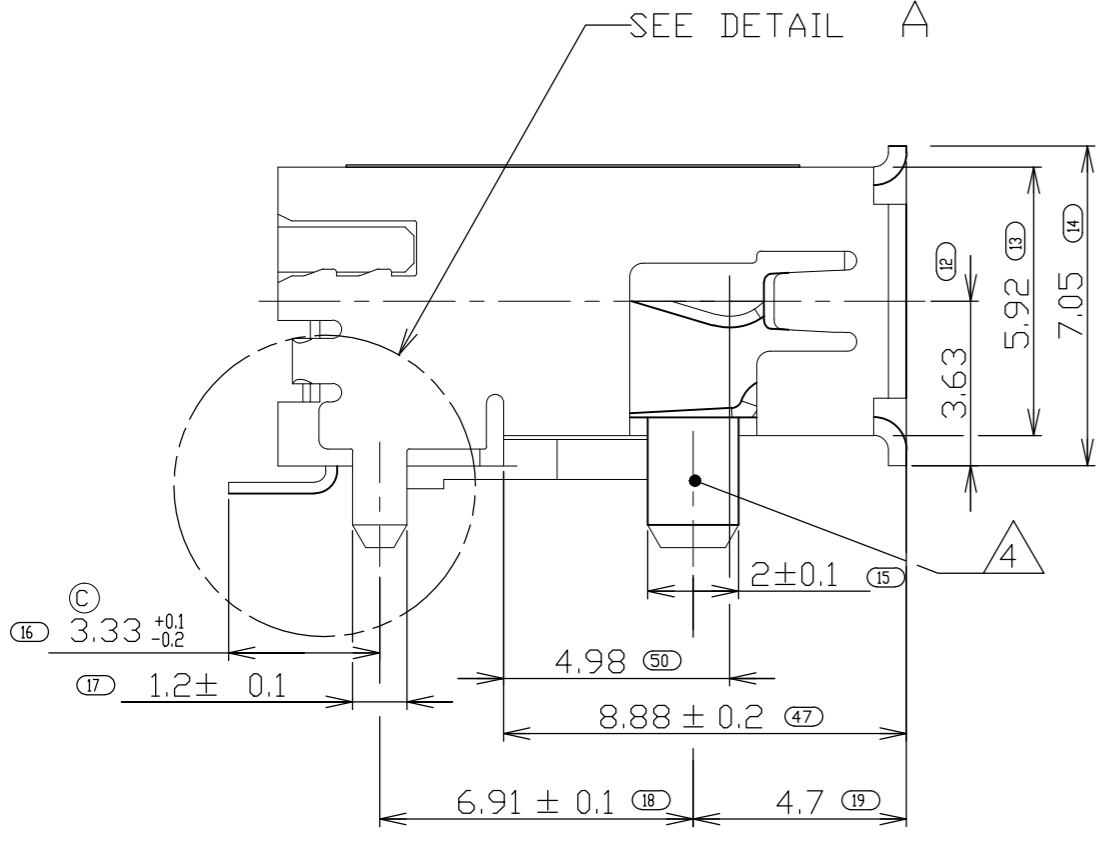
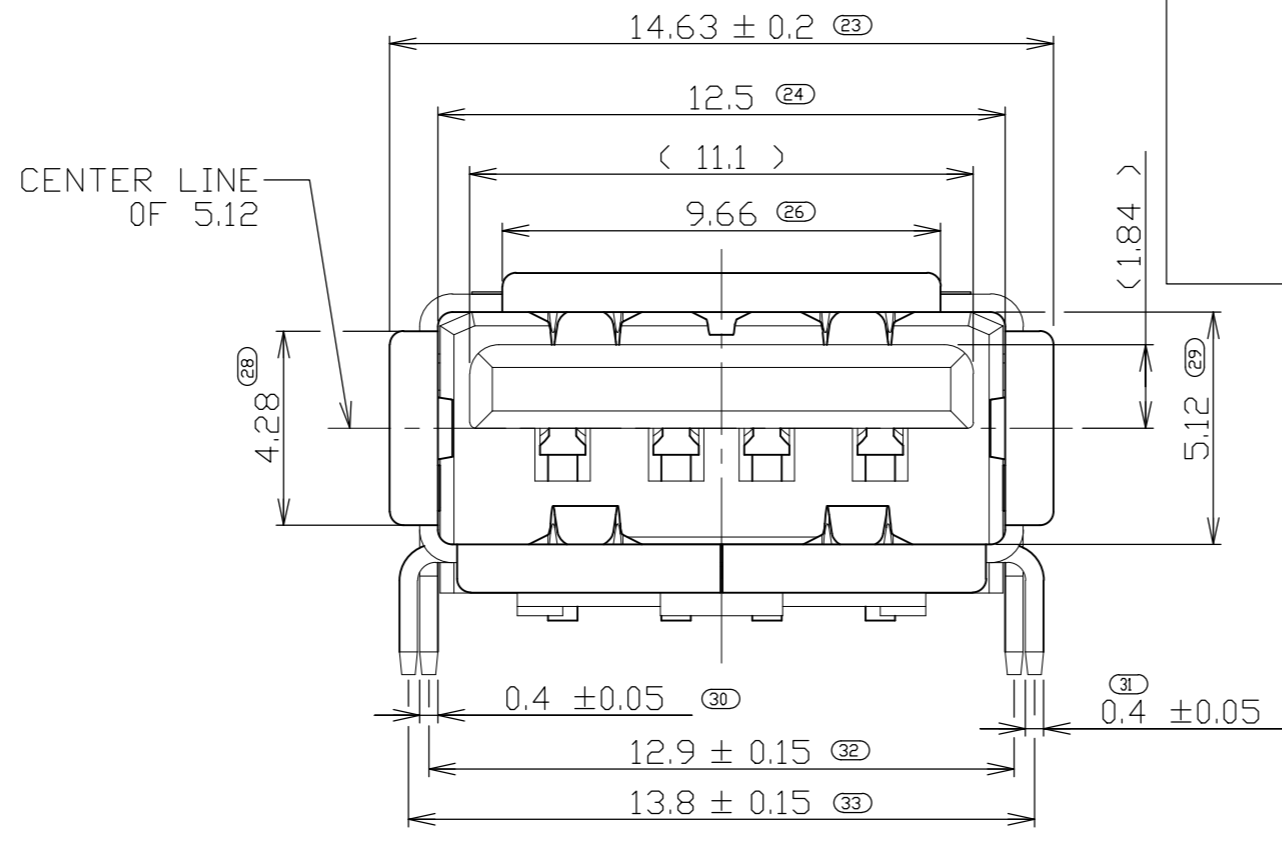
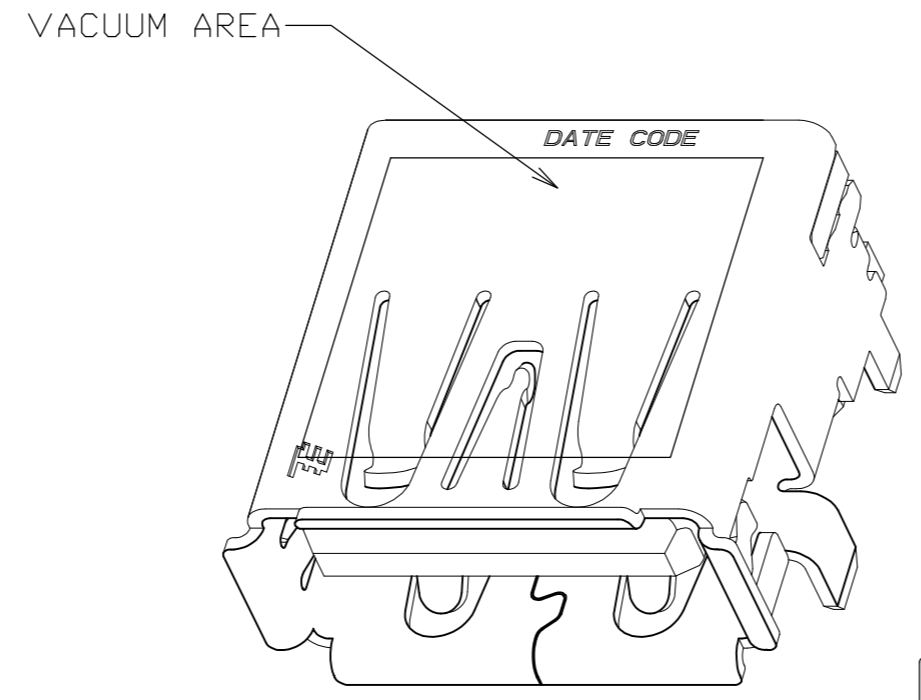
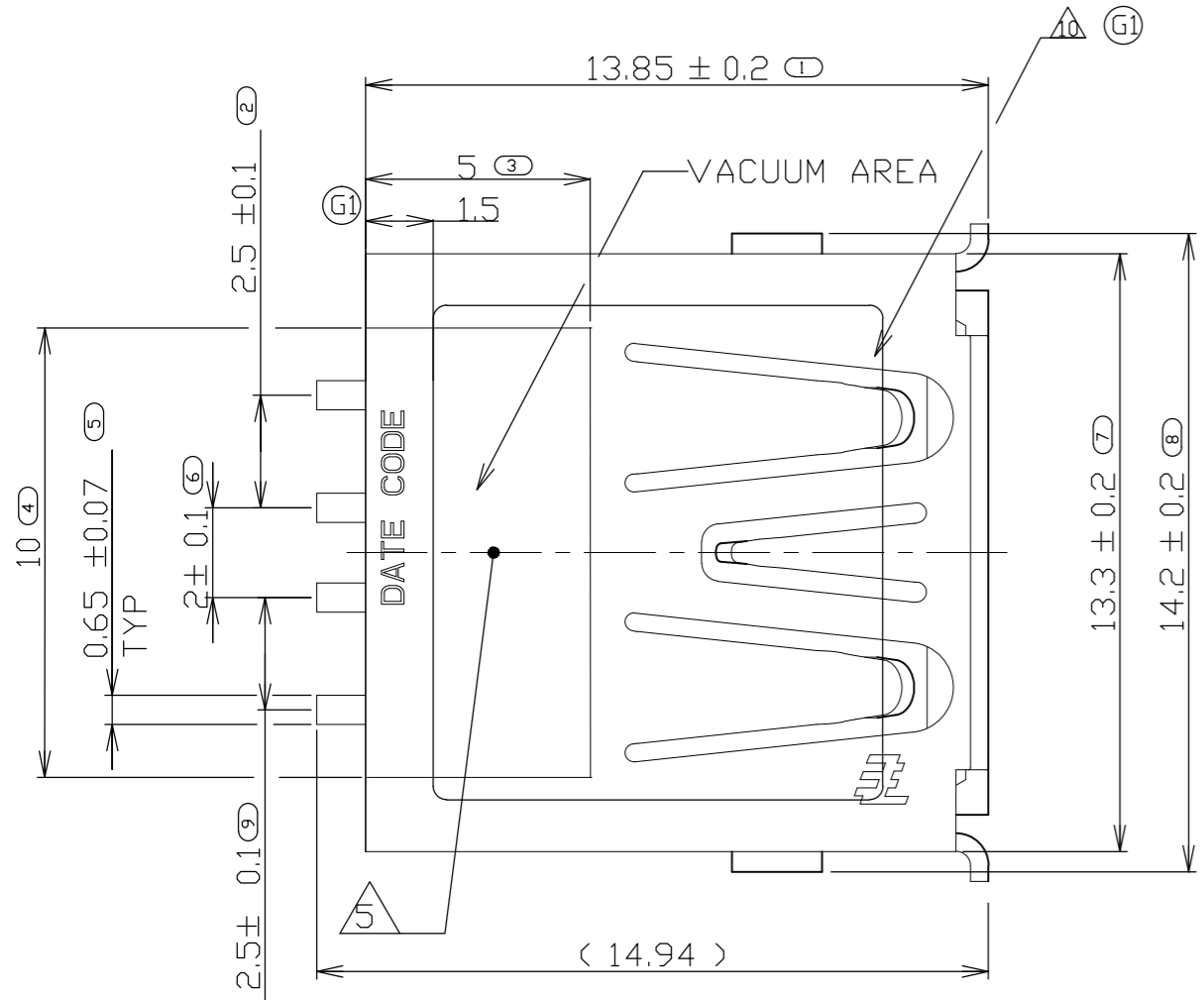
Email & Skype: info@chipsmall.com Web: www.chipsmall.com

Address: A1208, Overseas Decoration Building, #122 Zhenhua RD., Futian, Shenzhen, China

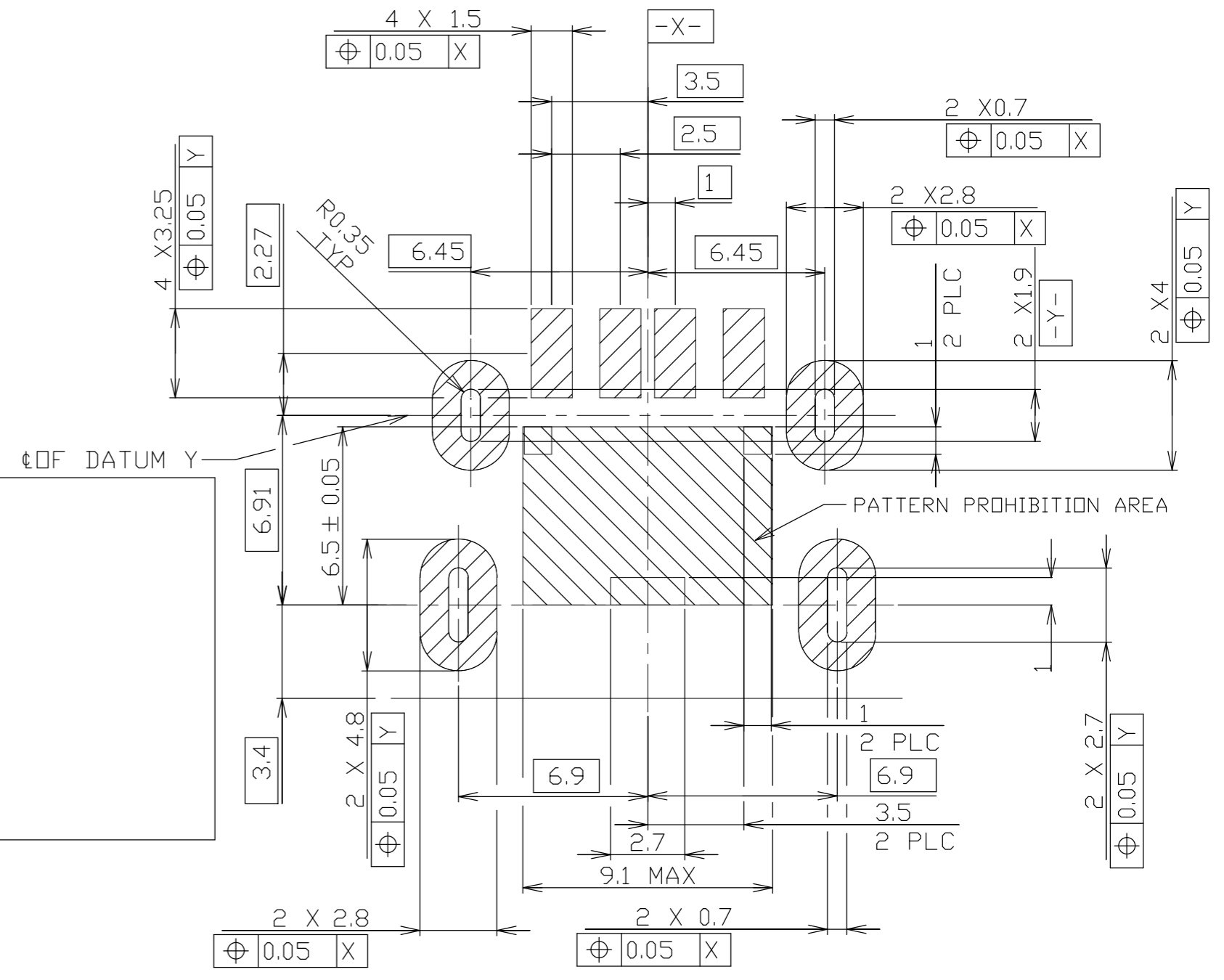


THIS DRAWING IS UNPUBLISHED. RELEASED FOR PUBLICATION
 © COPYRIGHT - By - ALL RIGHTS RESERVED.

REVISONS		DATE	DWN	APVD
P	LTR	DESCRIPTION		
G		REVISED PER ECR-15-015951	T.Z	H.W



DETAIL A
SCALE 12:1



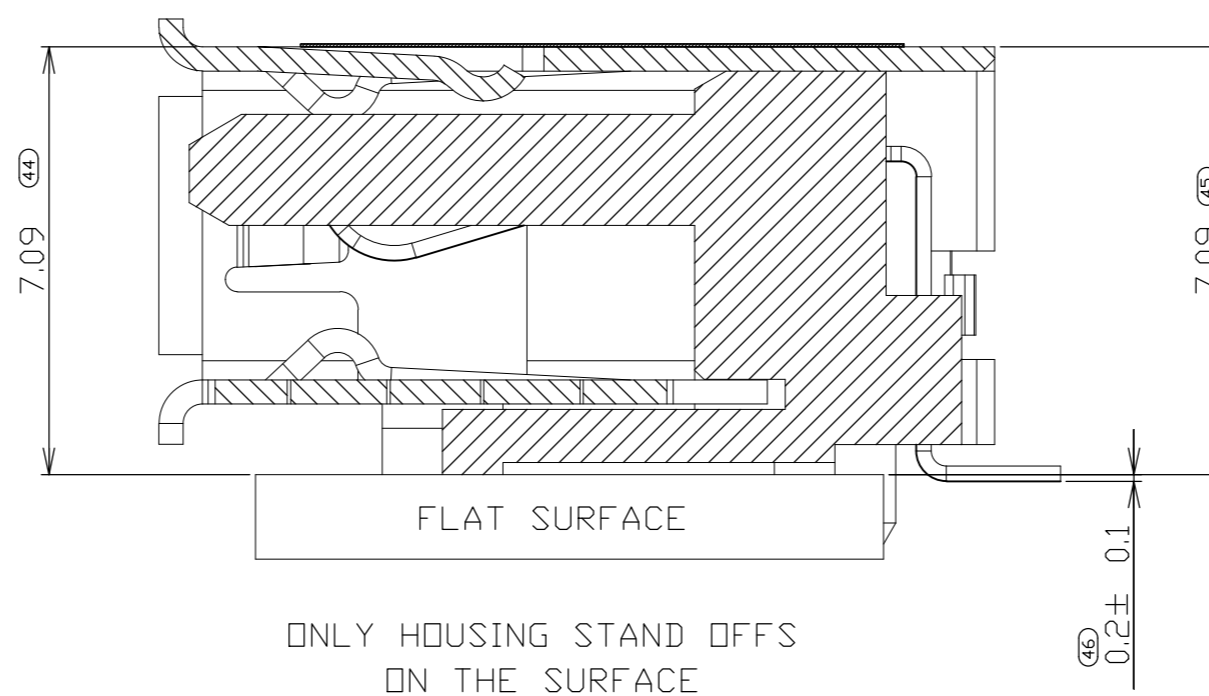
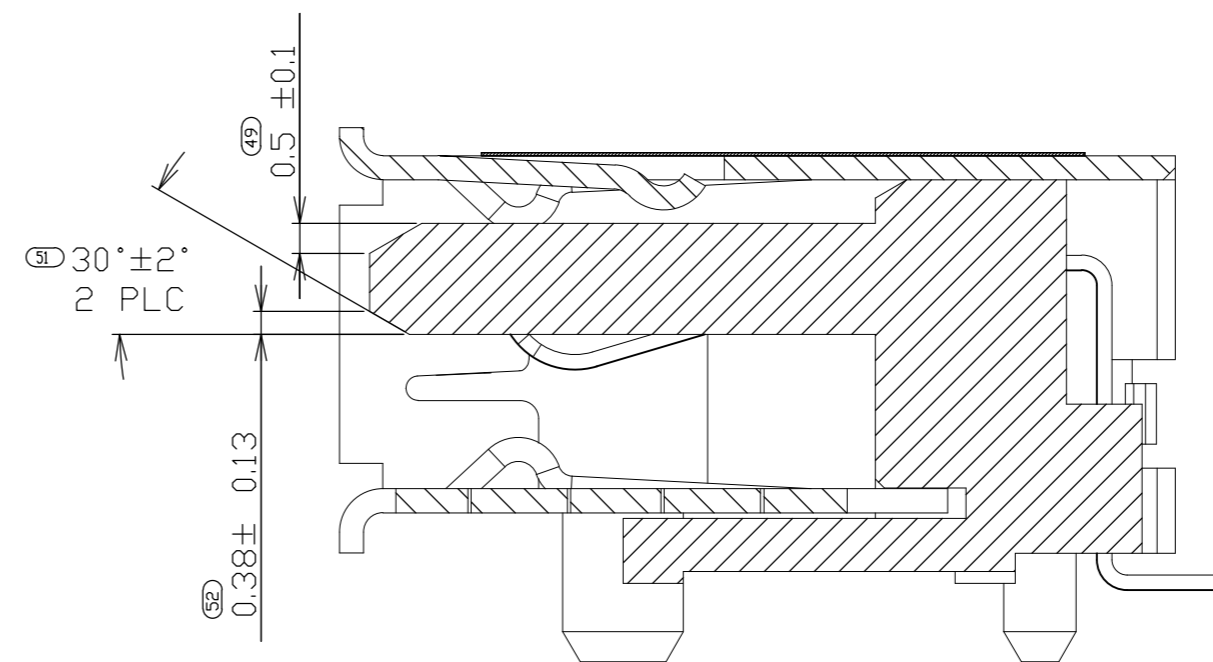
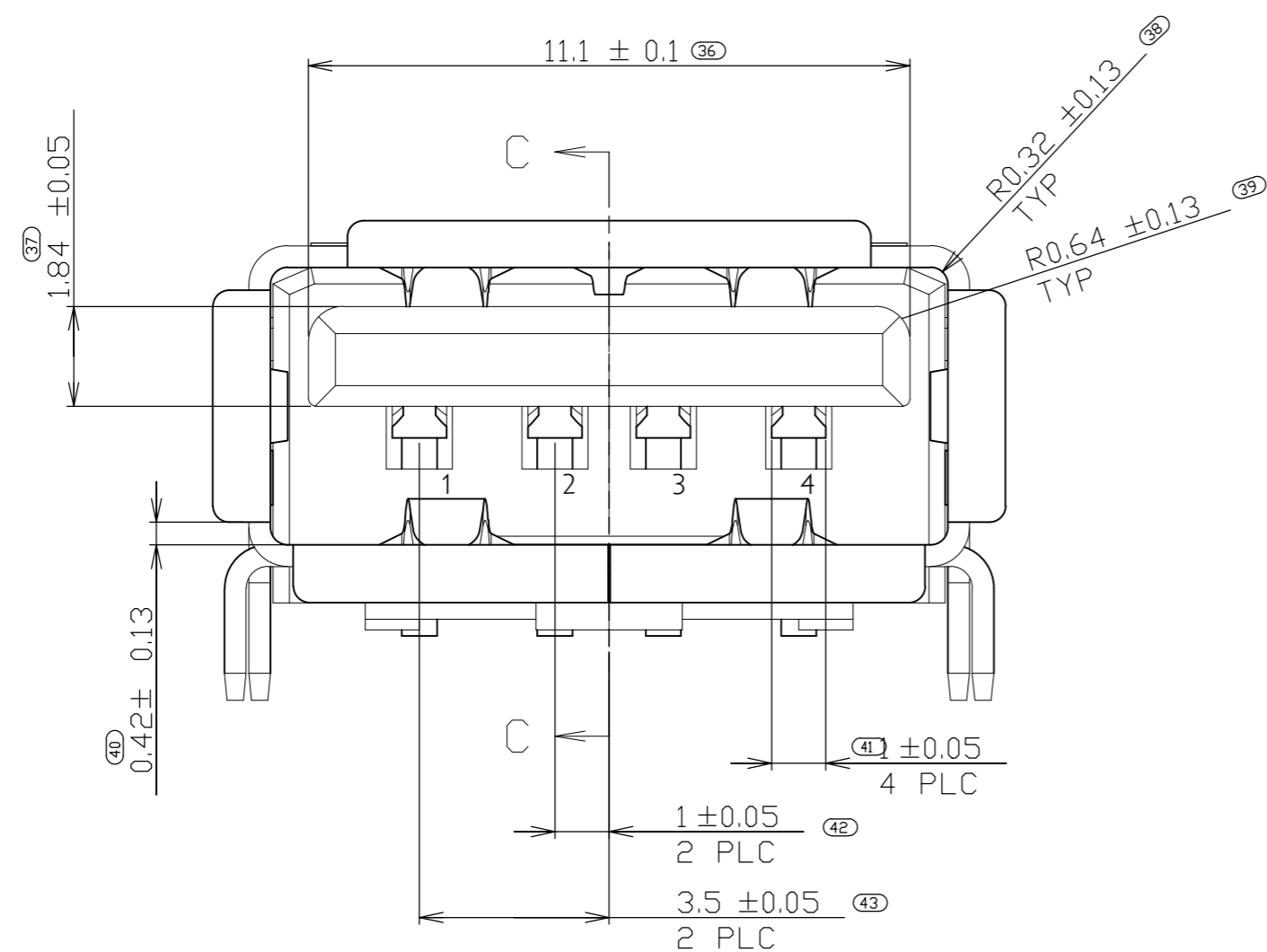
- NOTES:
- △ MATERIALS:
 - △ HOUSING: LCP, UL 94V-0 RATED; COLOR: BLACK
 - CONTACTS: COPPER ALLOY
 - SHIELD: CARBON STEEL (T=0.40mm)
 - Ⓜ KAPTON: LYMIDE TAPE (NO.360AST) COLOR: BROWN (TRANSPARENT)
 - △ FINISH:
 - △ CONTACT: 0.76um MIN GOLD PLATING AND POROSITY SEALING TREATMENT ON CONTACT AREA
 - 3.8um MIN MATTE TIN ON SOLDER TAILS
 - 1.27um MIN NICKEL UNDER PLATING
 - △ CONTACT: 0.05um MIN GOLD PLATING OVER 0.75um MIN Pd-Ni, AND POROSITY SEALING TREATMENT ON CONTACT AREA
 - 3.8um MIN MATTE TIN ON SOLDER TAILS
 - 1.27um MIN NICKEL UNDER PLATING
 - SHIELD: POINT △ IS 3um MIN AND POINT △ IS 2.4um MAX
 - MATTE TIN ALL OVER 1.0um MIN NICKEL
 - INCLUDES FRACTURE SURFACE (EDGE)
 - 3. TINE COPLANARITY MUST BE UNDER 0.1 MAX

LOC	DIST	DESCRIPTION	DATE	DWN	APVD
		△ 1			1932638-5
		-			1932638-4
		-			1932638-3
		KAPTON		CONTACT PLATING	HOUSING MATERIAL
					PART NUMBER

THIS DRAWING IS A CONTROLLED DOCUMENT.		DWN	ADAMS LV	21SEP2013	 TE Connectivity	RECEPTACLE ASSEMBLY RIGHT ANGLE		SMT USB 2.0		
DIMENSIONS: mm		CHK	MARTIN LI	21SEP2013		NAME				
TOLERANCES UNLESS OTHERWISE SPECIFIED:		APVD	STEVEN YAO	21SEP2013		PRODUCT SPEC				
0 PLC ± 0.25		APPLICATION SPEC				108-60034				
1 PLC ± 0.20		WEIGHT			A2 00779					
2 PLC ± 0.20		SCALE			NTS					
3 PLC ± 0.15		SHEET			1 of 3					
4 PLC ± 0.15		REV			G1					
ANGLES ± 3		CUSTOMER DRAWING								

THIS DRAWING IS UNPUBLISHED. RELEASED FOR PUBLICATION
 © COPYRIGHT - By - ALL RIGHTS RESERVED.

LOC		DIST		REVISIONS			
P	LTR	DESCRIPTION	DATE	DWN	APVD		
-	-	SEE SHEET 1	-	-	-		



THIS DRAWING IS A CONTROLLED DOCUMENT.		DWN ADAMS LV 21SEP2013	TE Connectivity	
DIMENSIONS: mm		CHK MARTIN LI 21SEP2013		
TOLERANCES UNLESS OTHERWISE SPECIFIED:		APVD STEVEN YAO 21SEP2013	NAME RECEPTACLE ASSEMBLY RIGHT ANGLE SMT USB 2.0	
0 PLC ± 0.25 1 PLC ± 0.20 2 PLC ± 0.20 3 PLC ± 0.15 4 PLC ± 0.15 ANGLES ± 3		PRODUCT SPEC 108-60034	RESTRICTED TO	
MATERIAL		APPLICATION SPEC	SIZE A2	CAGE CODE 00779
FINISH		WEIGHT	DRAWING NO. C-1932638	SCALE NTS
		CUSTOMER DRAWING	SHEET 2 of 3	REV G1

