



Chipsmall Limited consists of a professional team with an average of over 10 year of expertise in the distribution of electronic components. Based in Hongkong, we have already established firm and mutual-benefit business relationships with customers from,Europe,America and south Asia,supplying obsolete and hard-to-find components to meet their specific needs.

With the principle of “Quality Parts,Customers Priority,Honest Operation,and Considerate Service”,our business mainly focus on the distribution of electronic components. Line cards we deal with include Microchip,ALPS,ROHM,Xilinx,Pulse,ON,Everlight and Freescale. Main products comprise IC,Modules,Potentiometer,IC Socket,Relay,Connector.Our parts cover such applications as commercial,industrial, and automotives areas.

We are looking forward to setting up business relationship with you and hope to provide you with the best service and solution. Let us make a better world for our industry!



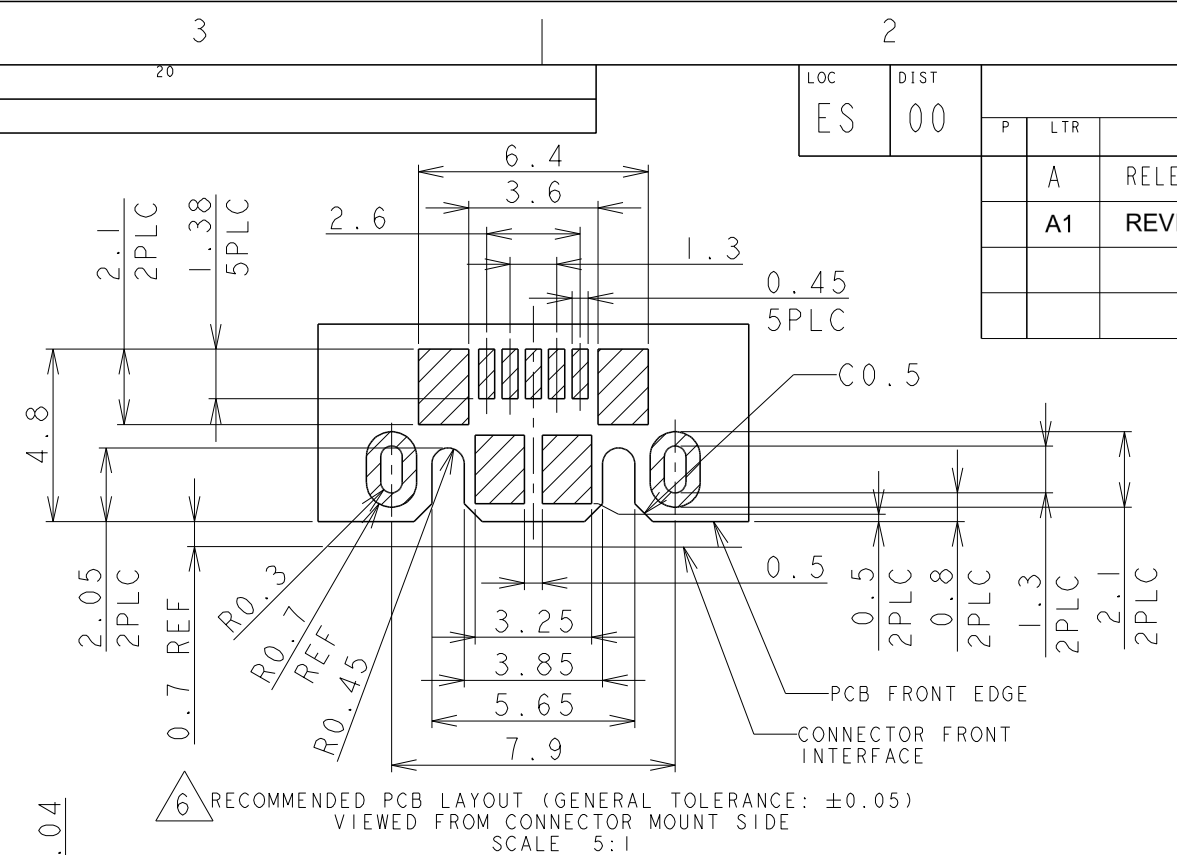
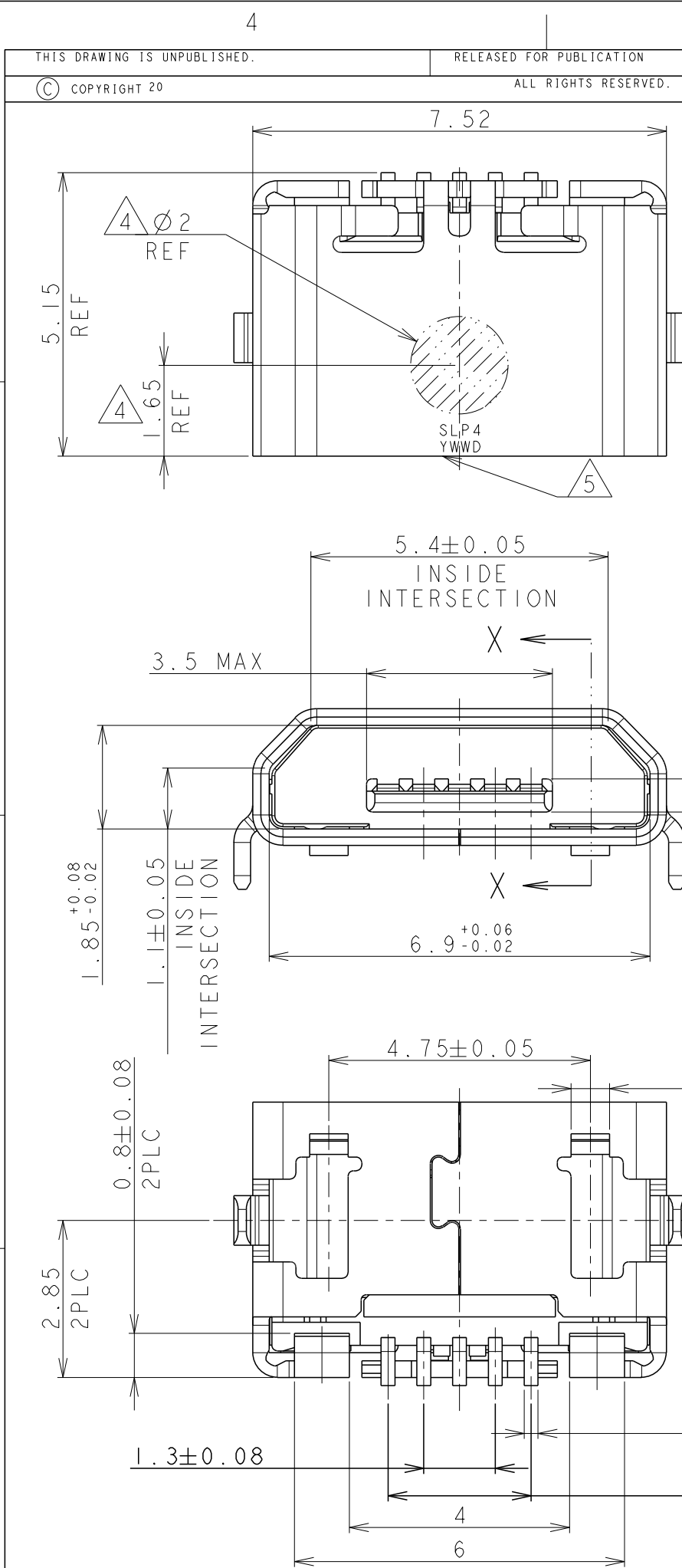
Contact us

Tel: +86-755-8981 8866 Fax: +86-755-8427 6832

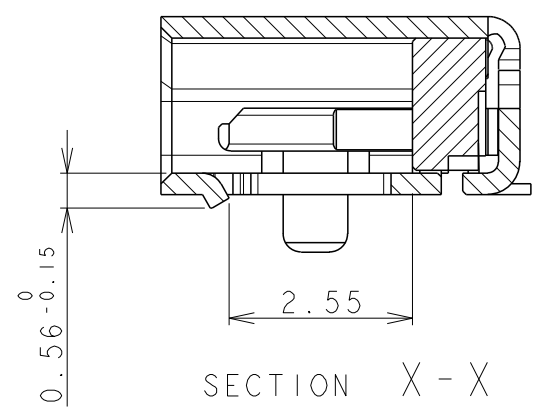
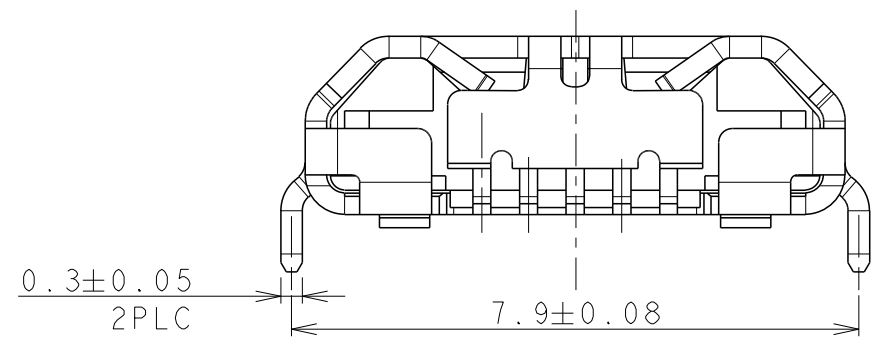
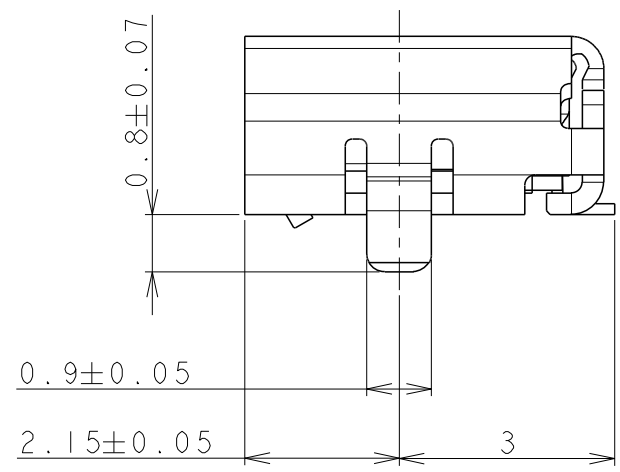
Email & Skype: info@chipsmall.com Web: www.chipsmall.com

Address: A1208, Overseas Decoration Building, #122 Zhenhua RD., Futian, Shenzhen, China





△ MATERIAL
 CONTACT: COPPER ALLOY
 SHELL: STAINLESS STEEL
 HOUSING: HIGH TEMPERATURE THERMO PLASTIC
 UL94V-0 BLACK
 △ FINISH
 CONTACT: 0.5 um MIN. GOLD PLATING ON CONTACT SURFACE AND
 0.05 um MIN. GOLD PLATING ON SOLDERING TINE SURFACE
 ALL OVER 0.8 um MIN NICKEL UNDER PLATING.
 SHELL: TIN PLATING ALL OVER NICKEL UNDER PLATING.
 CONTACT COPLANARITY: 0.08 MAX
 REFERENCE PICK AND PLACE AREA.
 DATE CODE MARKING: YWWD (YEAR/WEEK/DAY)
 SLP4 (SHIFT, LINE, P4=REVISION CODE)
 △ 3 RECOMMENDED PCB THICKNESS: 1.0±0.08
 △ 7 RECOMMENDED STENCIL THICKNESS: 0.10mm.



1932788-1; AS SHOWN

THIS DRAWING IS A CONTROLLED DOCUMENT.		DWN	01AUG2011	 TE Connectivity	NAME MICRO USB CONNECTOR RECEPTACLE REVERSE TYPE B FLANGELESS
DIMENSIONS: mm		CHK	Ming Shi		
TOLERANCES UNLESS OTHERWISE SPECIFIED: ±0.3		APVD	Martin Li		
0 PLC ± 1 PLC ± 2 PLC ± 3 PLC ± 4 PLC ± ANGLES ±5°		PRODUCT SPEC	108-115022-1		
MATERIAL		APVD	Steven Yao	APPLICATION SPEC	RESTRICTED TO
FINISH		WEIGHT	0.226g	SIZE	A300779
△ 1 △ 2		CUSTOMER DRAWING	SCALE 8:1	DRAWING NO	C=1932788
				SHEET	1 OF 2
				REV	A1

4

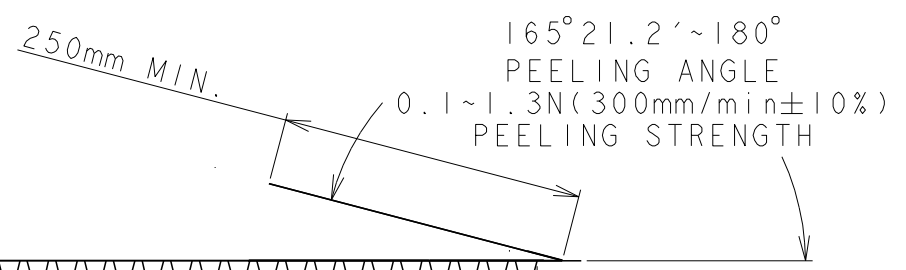
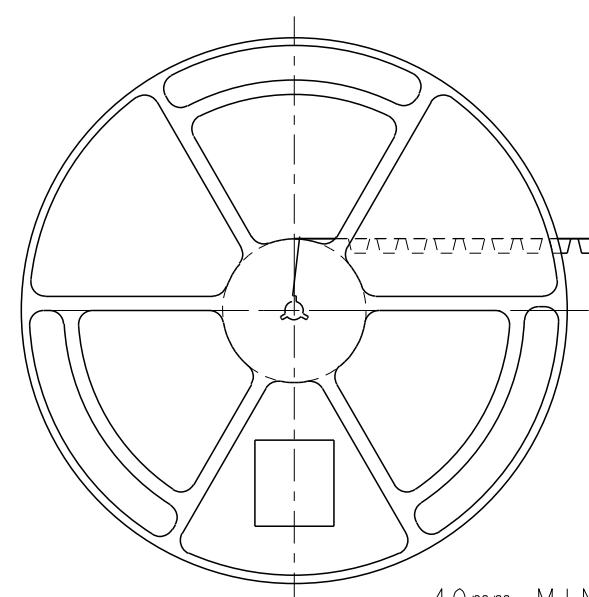
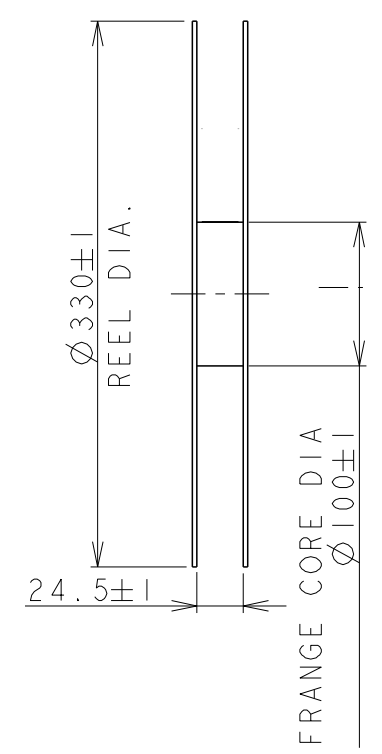
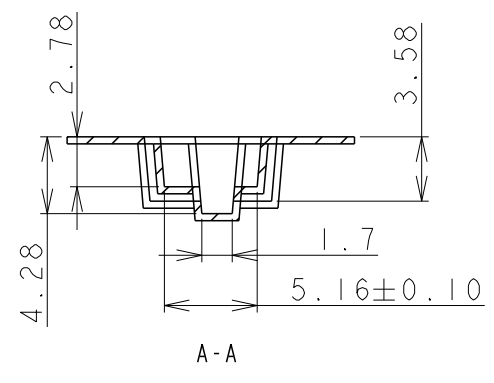
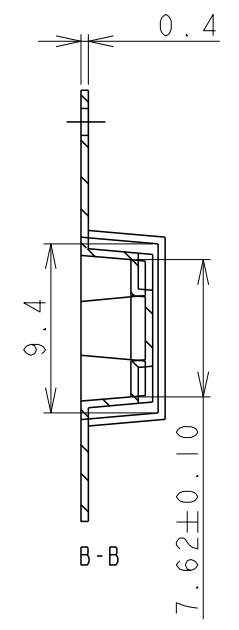
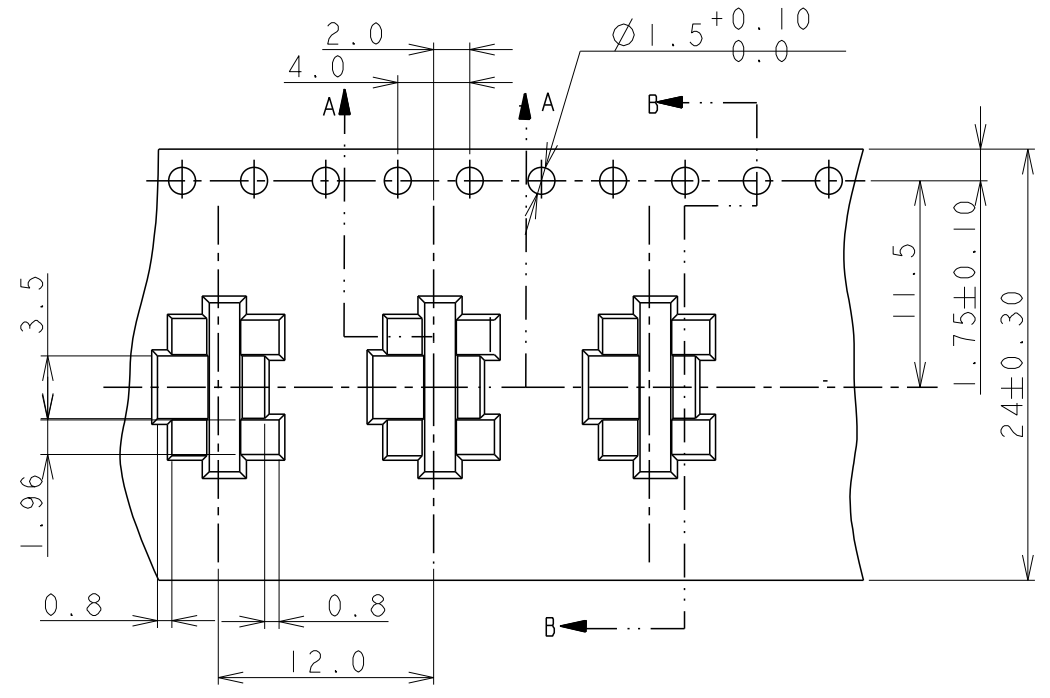
3

2

1


THIS DRAWING IS UNPUBLISHED. RELEASED FOR PUBLICATION 20
 © COPYRIGHT 20 ALL RIGHTS RESERVED.

LOC	DIST	REVISIONS			
P	LTR	DESCRIPTION	DATE	DWN	APVD
ES	00	SEE SHEET 1			



40mm MIN. WITHOUT CHARGE SEALED WITH COVER TAPE
 WITH PRODUCT CHARGE 1000 PCS/IREEL
 100mm MIN. WITHOUT CHARGE SEALED WITH COVER TAPE

NOTES:
 1. MATERIAL: ANTISTATIC PS CLEAR, THICKNESS 0.40mm.
 2. QUANTITY PER REEL: 1000 PCS.

THIS DRAWING IS A CONTROLLED DOCUMENT.		DWN	01AUG2011	 TE Connectivity	MICRO USB CONNECTOR RECEPTACLE REVERSE TYPE B FLANGELESS
DIMENSIONS: mm		CHK	01AUG2011		
TOLERANCES UNLESS OTHERWISE SPECIFIED: ±0.3		APVD	01AUG2011		
0-PLC ± 1-PLC ± 2-PLC ± 3-PLC ± 4-PLC ± ANGLES ±5°		NAME	Steven Yao		
MATERIAL		FINISH		SIZE	A3
				CAGE CODE	00779
				DRAWING NO	C-1932788
				RESTRICTED TO	
				WEIGHT	X.XXg
				CUSTOMER DRAWING	
				SCALE	8:1
				SHEET	2 OF 2
				REV	A1