



Chipsmall Limited consists of a professional team with an average of over 10 year of expertise in the distribution of electronic components. Based in Hongkong, we have already established firm and mutual-benefit business relationships with customers from,Europe,America and south Asia,supplying obsolete and hard-to-find components to meet their specific needs.

With the principle of "Quality Parts,Customers Priority,Honest Operation,and Considerate Service",our business mainly focus on the distribution of electronic components. Line cards we deal with include Microchip,ALPS,ROHM,Xilinx,Pulse,ON,Everlight and Freescale. Main products comprise IC,Modules,Potentiometer,IC Socket,Relay,Connector.Our parts cover such applications as commercial,industrial, and automotives areas.

We are looking forward to setting up business relationship with you and hope to provide you with the best service and solution. Let us make a better world for our industry!



Contact us

Tel: +86-755-8981 8866 Fax: +86-755-8427 6832

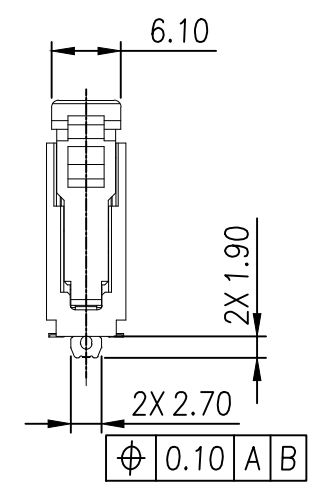
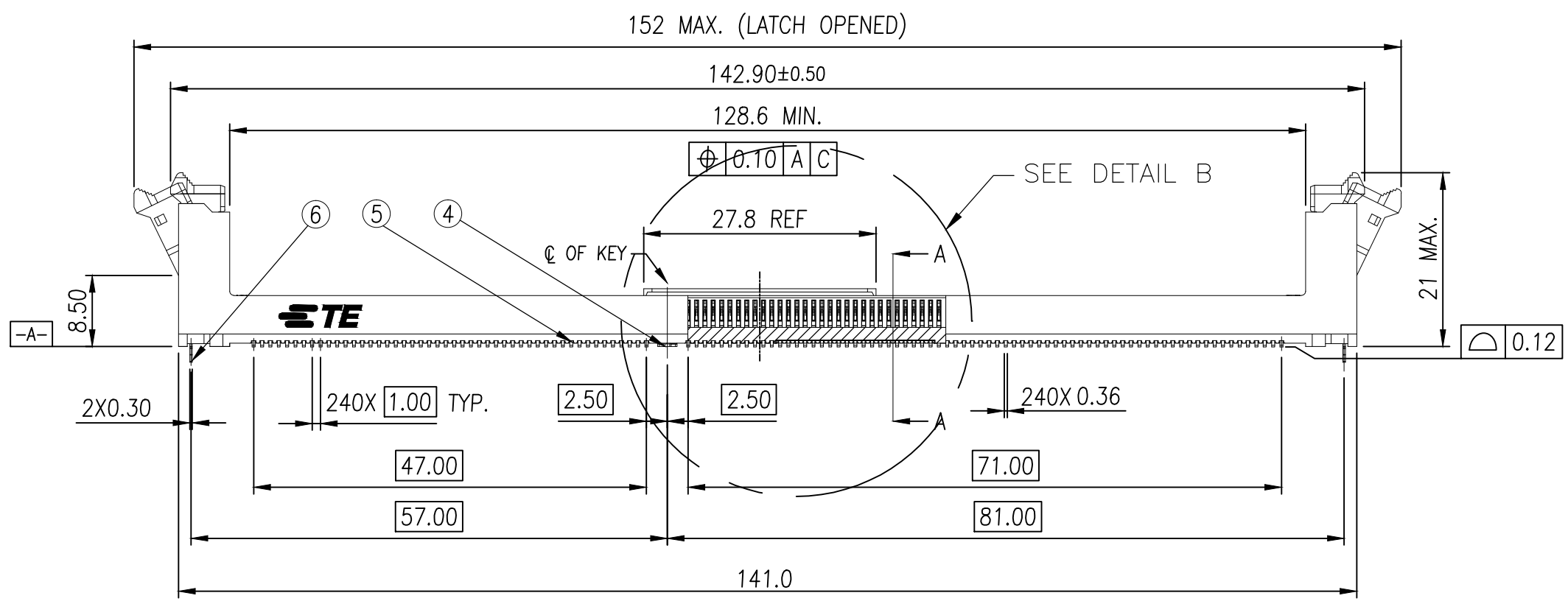
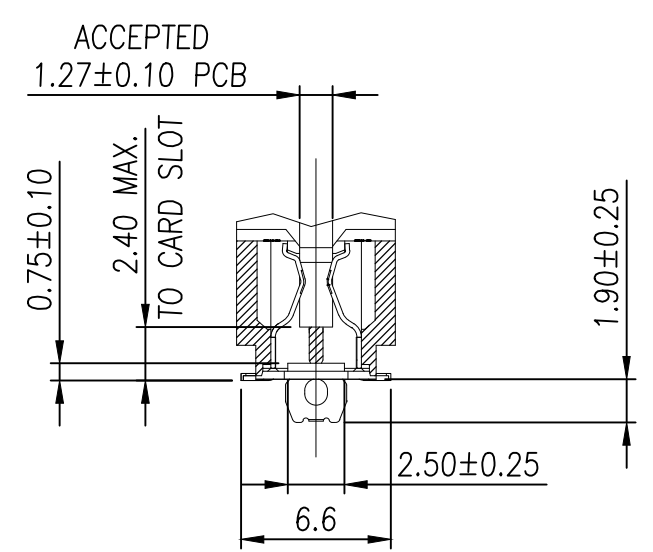
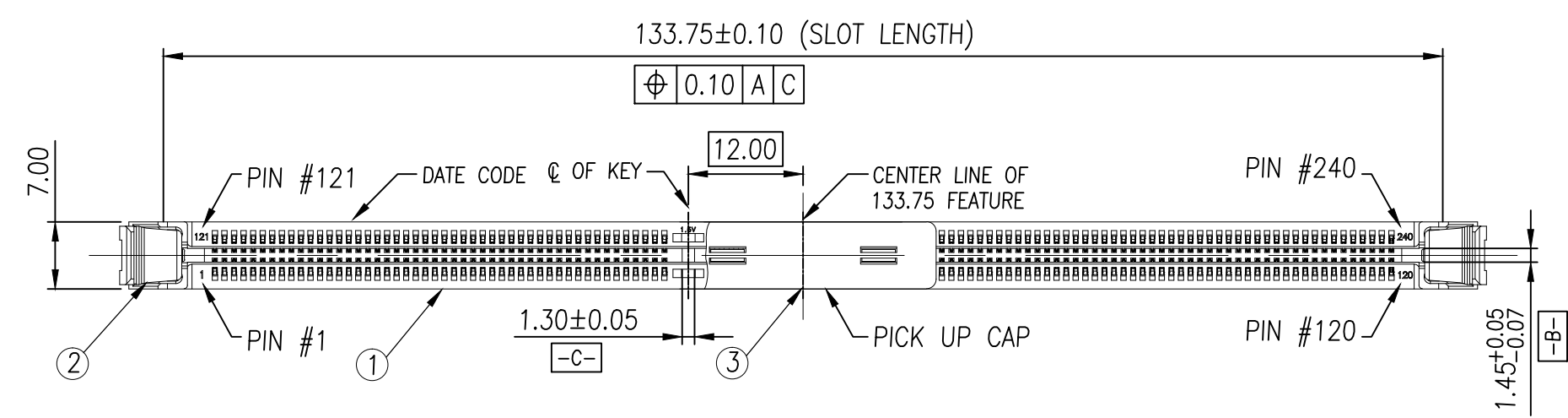
Email & Skype: info@chipsmall.com Web: www.chipsmall.com

Address: A1208, Overseas Decoration Building, #122 Zhenhua RD., Futian, Shenzhen, China



THIS DRAWING IS UNPUBLISHED. RELEASED FOR PUBLICATION
 © COPYRIGHT - By - ALL RIGHTS RESERVED.

LOC	DIST	REVISIONS			
P	LTR	DESCRIPTION	DATE	DWN	APVD
-	-	E	RELEASED PER ECR-15-004717	25MAR2015	D.Z S.L



2	SIDE TAB	⑥
240	CONTACT	⑤
1	CENTER PEG	④
1	CAP	③
2	LATCH	②
1	HOUSING	①
QTY	NAME	ITEM

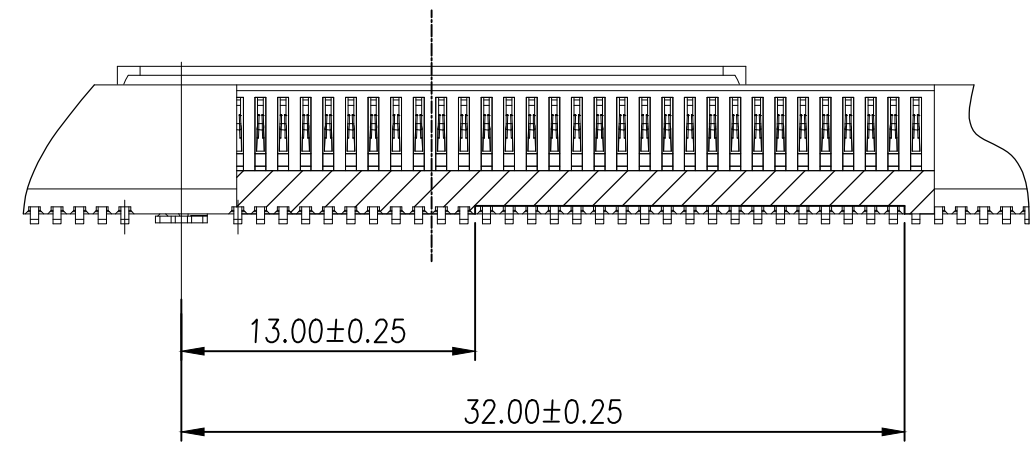
THIS DRAWING IS A CONTROLLED DOCUMENT.		DWN SIMON WU 30DEC2010	TE Connectivity	
DIMENSIONS: mm		CHK BILL WONG 30DEC2010		
TOLERANCES UNLESS OTHERWISE SPECIFIED:		APVD COREL WANG 30DEC2010	NAME	
0 PLC ± - 1 PLC ± 0.30 2 PLC ± 0.20 3 PLC ± 0.013 4 PLC ± - ANGLES ± 1°		PRODUCT SPEC 108-115019	SOCKET ASSEMBLY VLP DDR-III, SMT, 240P	
MATERIAL SEE NOTE		FINISH SEE NOTE	APPLICATION SPEC	RESTRICTED TO
		WEIGHT 7.06	SIZE A3	CAGE CODE 00779
		CUSTOMER DRAWING	DRAWING NO C-1932810	SCALE 3:2
			SHEET 1 OF 6	REV E

THIS DRAWING IS UNPUBLISHED. RELEASED FOR PUBLICATION
 © COPYRIGHT - By - ALL RIGHTS RESERVED.

LOC	DIST	REVISIONS					
		P	LTR	DESCRIPTION	DATE	DWN	APVD
-	-	-	-	SEE SHEET 1	-	-	-

NOTES:

1. MATERIAL:
 - 1.1 HOUSING: THERMOPLASTIC, UL94V-0; COLOR: SEE TABLE.
 - 1.2 LATCH: THERMOPLASTIC, UL94V-0; COLOR: SEE TABLE.
 - 1.3 CAP: THERMOPLASTIC, UL94V-0; COLOR: BLACK.
 - 1.4 CENTER PEG: COPPER ALLOY.
 - 1.5 CONTACT: COPPER ALLOY.
 - 1.6 SIDE TAB: COPPER ALLOY.
2. FINISH:
 - 2.1 CONTACT:
 - GOLD PLATING THICKNESS ON CONTACT AREA: SEE TABLE.
 - 100u" MIN. MATTE-TIN PLATING ON SOLDER TAIL AREA.
 - 90u" MIN. NICKEL UNDERPLATING OVERALL FOR 20u" GOLDPLATING.
 - 50u" MIN. NICKEL UNDERPLATING OVERALL FOR OTHER GOLDPLATING.
 - 2.2 CENTER PEG AND SIDE TAB:
 - 100u" MIN. MATTE-TIN PLATING ON SOLDER TAIL AREA.
 - 50u" MIN. NICKEL UNDERPLATING OVERALL.
3. CONFORMS TO THE REQUIREMENTS OF EIA/ECA-364-1000.01A (CONTROLLED ENVIRONMENT APPLICATIONS, AND TE PRODUCT SPECIFICATION.)
4. LLCR SPEC.: 30mΩ MAX. INITIAL, THE CHANGE NOT GREATER THAN 20mΩ AFTER ALL ENVIRONMENT TEST.
5. LLCR SPEC.: 10mΩ MAX. INITIAL, THE CHANGE NOT GREATER THAN 10mΩ AFTER ALL ENVIRONMENT TEST.



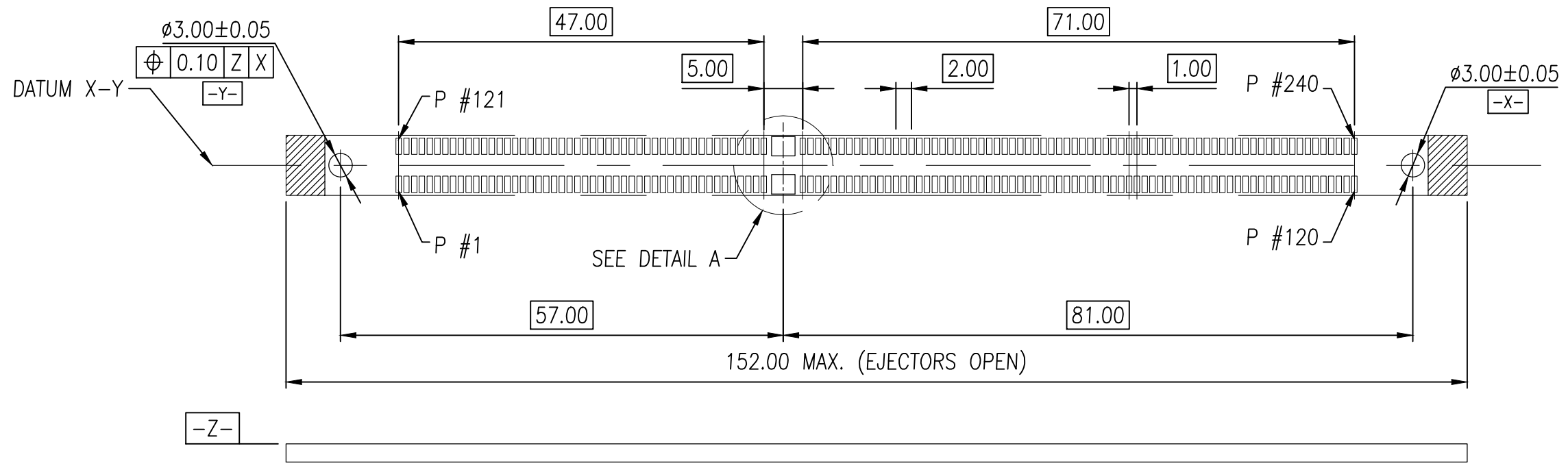
DETAIL B
(3 : 1)

CAP OPTION	LLCR SPEC.	GOLD PLATING	HOUSING COLOR	LATCH COLOR	PART NUMBER
WITHOUT CAP	SEE NOTE 5	20u" MIN.	BLACK	GREEN (375C)	1-1932810-0
		20u" MIN.	BLACK	BLACK	1932810-9
		20u" MIN.	BLACK	NATURAL	1932810-8
WITH CAP	SEE NOTE 5	20u" MIN.	BLACK	GREEN (375C)	1932810-7
		20u" MIN.	BLACK	BLACK	1932810-6
		20u" MIN.	BLACK	NATURAL	1932810-5
	SEE NOTE 5	15u" MIN.	BLACK	BLACK	1932810-4
		15u" MIN.	BLACK	NATURAL	1932810-3
		SEE NOTE 4	20u" MIN.	BLACK	BLACK
20u" MIN.	BLACK		NATURAL	1932810-1	

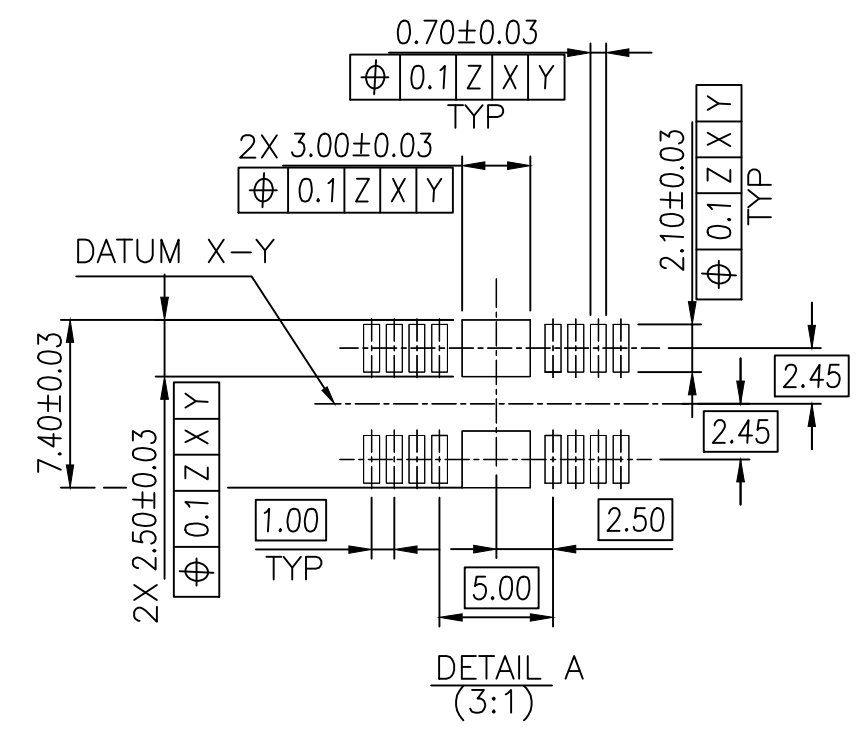
THIS DRAWING IS A CONTROLLED DOCUMENT.		DWN	TE Connectivity SOCKET ASSEMBLY VLP DDR-III, SMT, 240P		
DIMENSIONS:	TOLERANCES UNLESS OTHERWISE SPECIFIED:	CHK			
mm		APVD			
		PRODUCT SPEC			
		APVD	NAME		
		PRODUCT SPEC	SIZE		
		APPLICATION SPEC	CAGE CODE		
		WEIGHT	DRAWING NO		
MATERIAL	FINISH	CUSTOMER DRAWING		RESTRICTED TO	
SEE NOTE	SEE NOTE	SCALE 3:2		SHEET 2 OF 6	
		A300779		REV E	
		C-1932810			

THIS DRAWING IS UNPUBLISHED. RELEASED FOR PUBLICATION
 © COPYRIGHT - By - ALL RIGHTS RESERVED.

LOC	DIST	REVISIONS			
P	LTR	DESCRIPTION	DATE	DWN	APVD
-	-	SEE SHEET 1	-	-	-



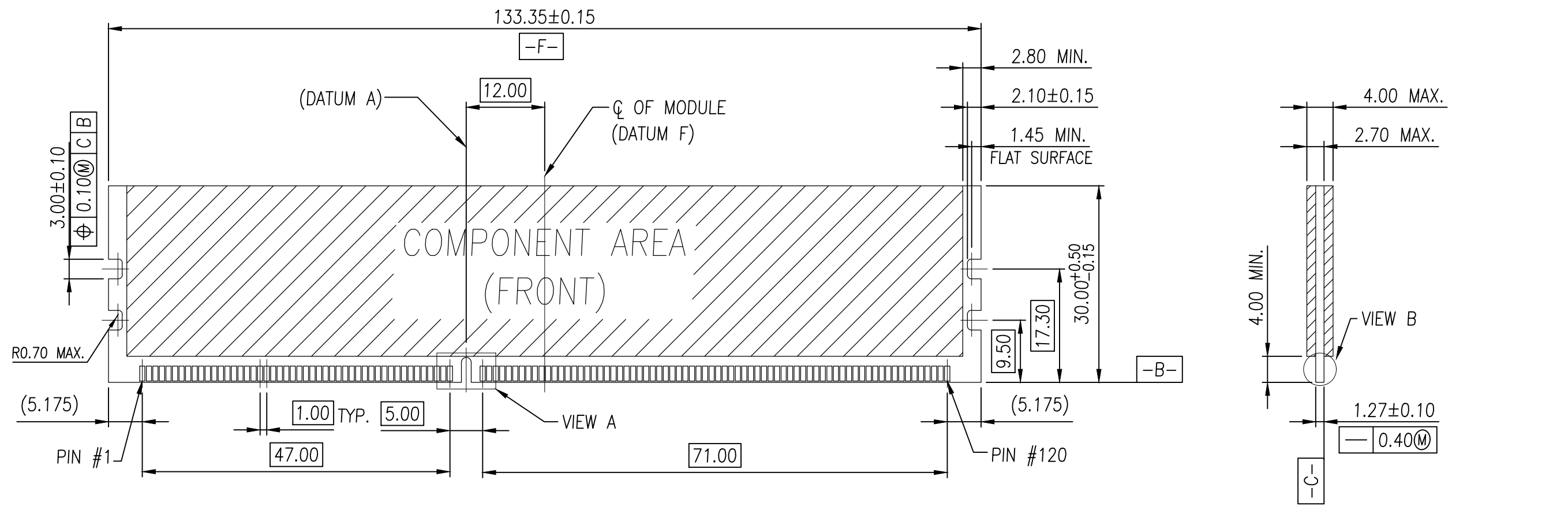
RECOMMENDED PCB LAYOUT (TOP VIEW)
 TOLERANCE: ± 0.05



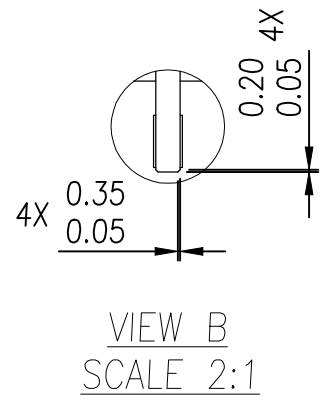
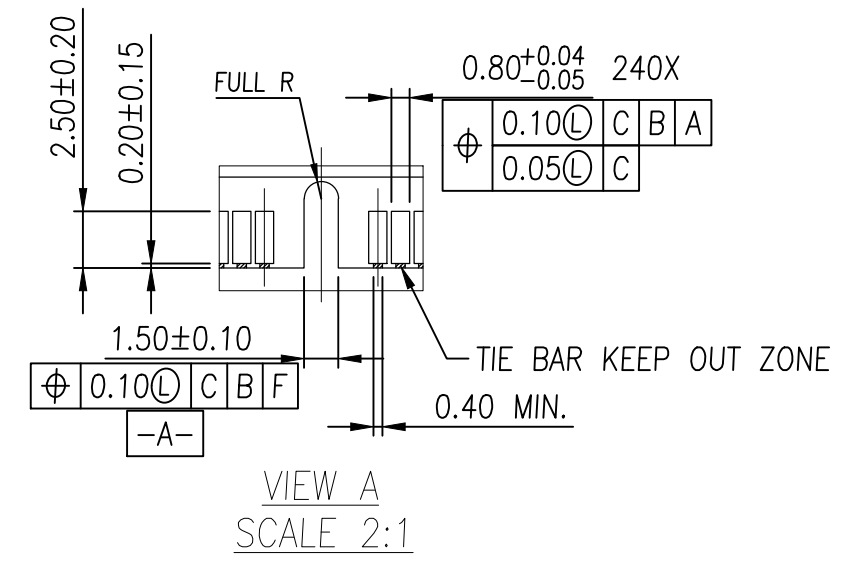
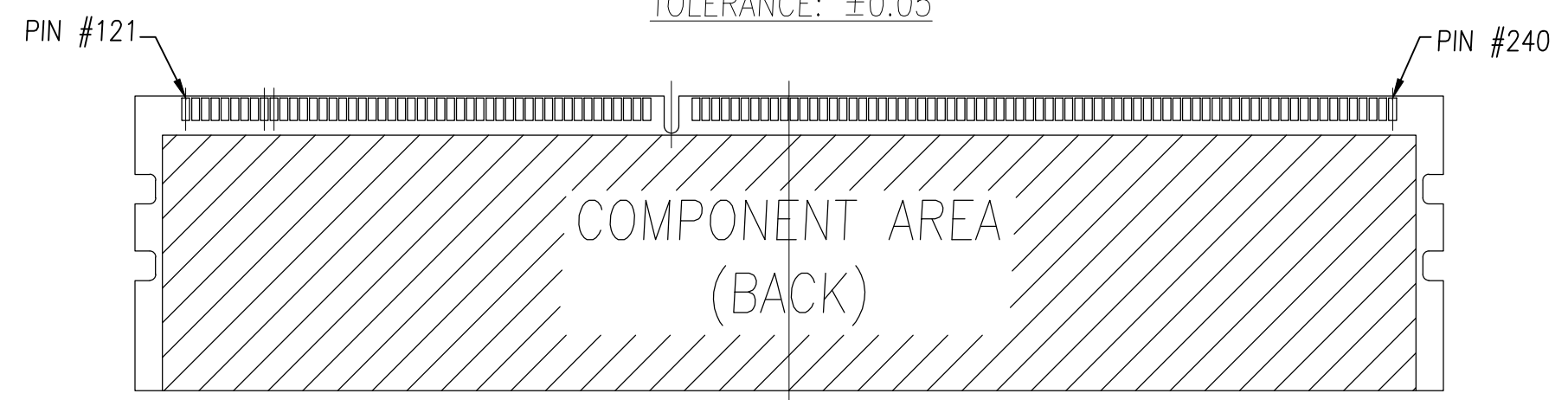
THIS DRAWING IS A CONTROLLED DOCUMENT.		DWN	TE Connectivity SOCKET ASSEMBLY VLP DDR-III, SMT, 240P				
DIMENSIONS: mm		CHK					
TOLERANCES UNLESS OTHERWISE SPECIFIED:		APVD					
0 PLC $\pm -$ 1 PLC $\pm -$ 2 PLC ± 0.13 3 PLC ± 0.013 4 PLC $\pm -$ ANGLES $\pm 1^\circ$		NAME					
MATERIAL: SEE NOTE		FINISH: SEE NOTE	PRODUCT SPEC	SIZE	CAGE CODE	DRAWING NO	RESTRICTED TO
			APPLICATION SPEC	A3	00779	C-1932810	-
			WEIGHT	CUSTOMER DRAWING		SCALE	SHEET
						3:2	3 OF 6
							REV E

THIS DRAWING IS UNPUBLISHED. RELEASED FOR PUBLICATION
 © COPYRIGHT - By - ALL RIGHTS RESERVED.

LOC	DIST	P	LTR	DESCRIPTION	DATE	DWN	APVD
-	-	-	-	SEE SHEET 1	-	-	-



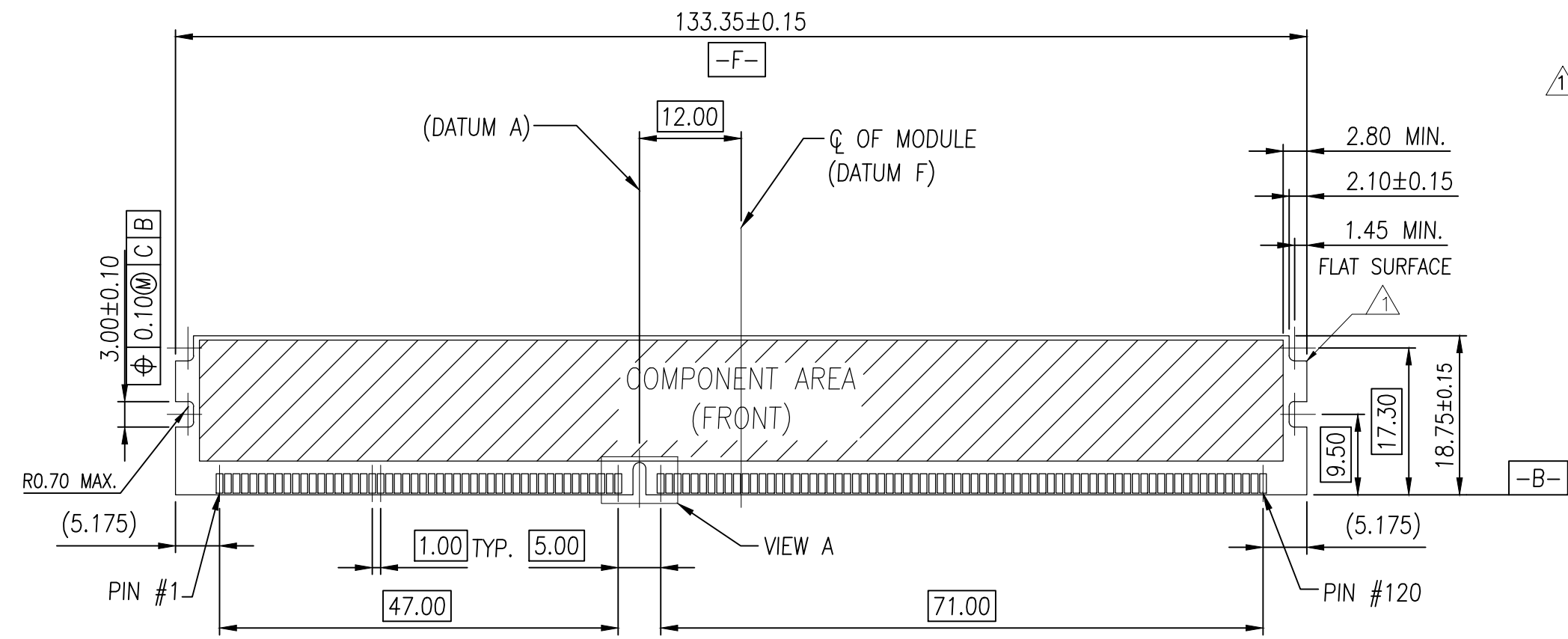
RECOMMENDED MODULE PCB LAYOUT
 TOLERANCE: ±0.05



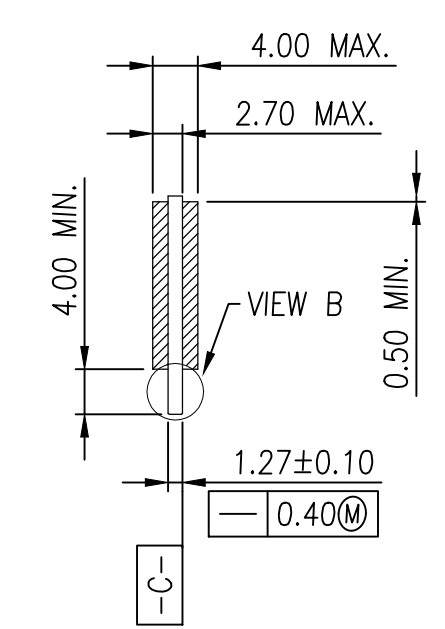
THIS DRAWING IS A CONTROLLED DOCUMENT.		DWN	-	STE TE Connectivity
DIMENSIONS: mm		CHK	-	
TOLERANCES UNLESS OTHERWISE SPECIFIED:		APVD	-	
MATERIAL SEE NOTE		FINISH	SEE NOTE	
0 PLC ± -		PRODUCT SPEC	-	SOCKET ASSEMBLY VLP DDR-III, SMT, 240P
1 PLC ± -		APPLICATION SPEC	-	
2 PLC ± 0.13		SIZE	A3	CAGE CODE 00779
3 PLC ± 0.013		DRAWING NO	C-1932810	
4 PLC ± -		WEIGHT	-	RESTRICTED TO
ANGLES ± 1°		CUSTOMER DRAWING		SCALE 3:2
FINISH SEE NOTE		SHEET 4 OF 6		REV E

THIS DRAWING IS UNPUBLISHED. RELEASED FOR PUBLICATION
 © COPYRIGHT - By - ALL RIGHTS RESERVED.

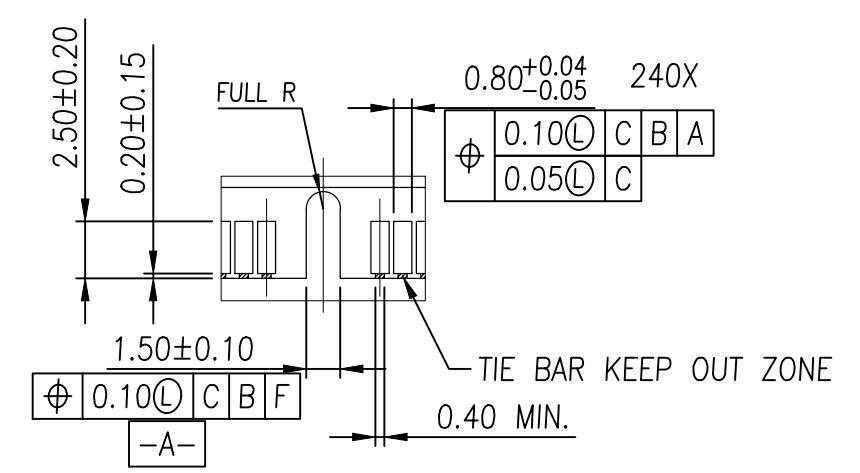
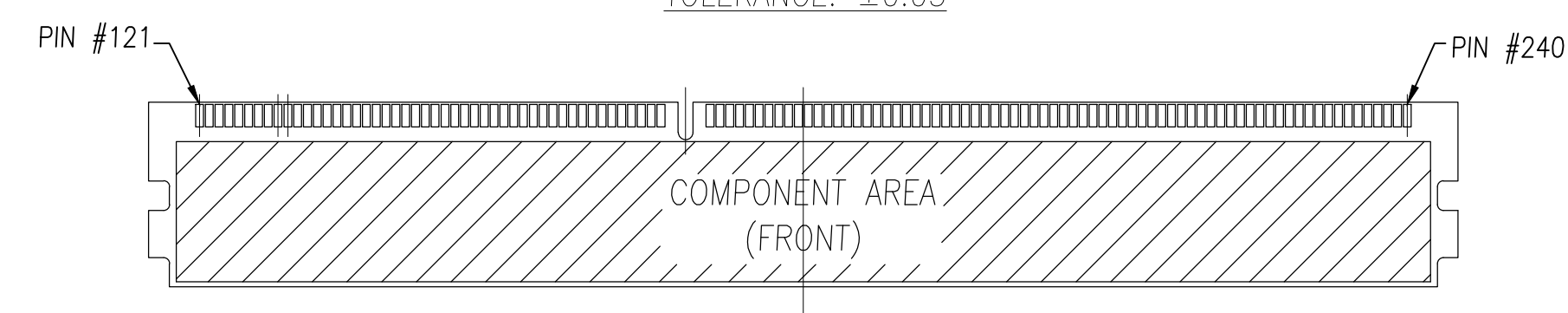
LOC	DIST	REVISIONS			
P	LTR	DESCRIPTION	DATE	DWN	APVD
-	-	SEE SHEET 1	-	-	-



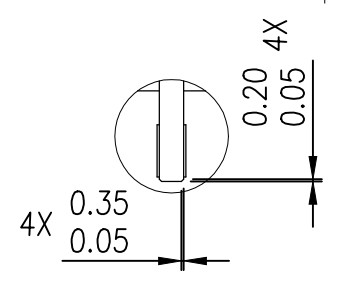
NOTES:
 1. FOR STD VLP MODULE, THE LATCH OF CONNECTOR IS LOCKED BY UPPER NOTCH.



RECOMMENDED MODULE PCB LAYOUT
 TOLERANCE: ±0.05



VIEW A
 SCALE 2:1

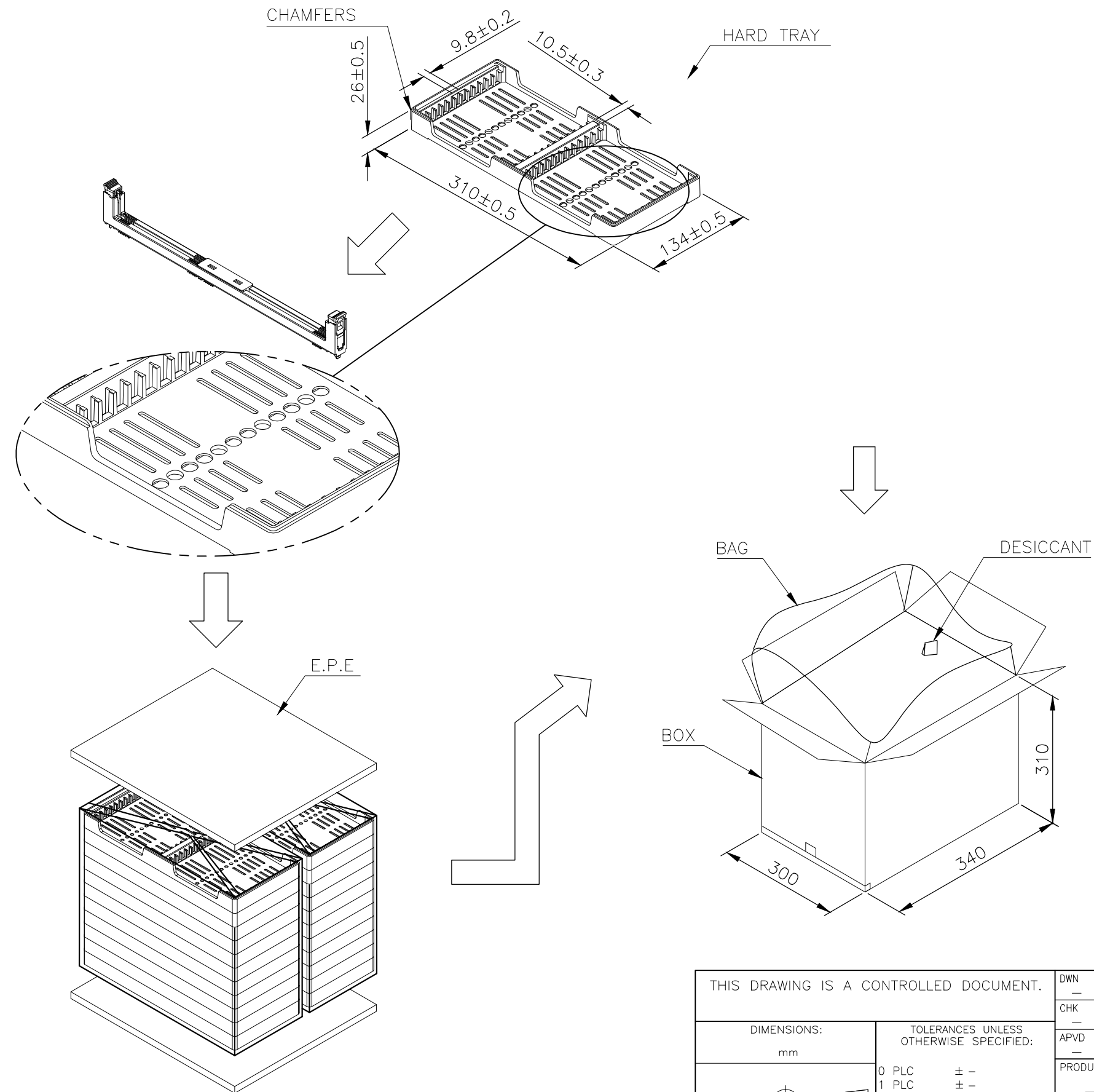


VIEW B
 SCALE 2:1

THIS DRAWING IS A CONTROLLED DOCUMENT.		DWN	-		
DIMENSIONS: mm		CHK	-		
TOLERANCES UNLESS OTHERWISE SPECIFIED:		APVD	-		
0 PLC	± -	PRODUCT SPEC	-		
1 PLC	± -	APPLICATION SPEC	-		
2 PLC	± 0.13	SIZE	A3	CAGE CODE	00779
3 PLC	± 0.013	DRAWING NO	C-1932810		RESTRICTED TO
4 PLC	± -	WEIGHT	-		
ANGLES	± 1°	CUSTOMER DRAWING	SCALE	3:2	SHEET
MATERIAL	SEE NOTE	STE TE Connectivity		5 OF 6	REV
FINISH		SOCKET ASSEMBLY		E	
SEE NOTE		VLP DDR-III, SMT, 240P			

THIS DRAWING IS UNPUBLISHED. RELEASED FOR PUBLICATION
 © COPYRIGHT - By - ALL RIGHTS RESERVED.

LOC	DIST	REVISIONS			
P	LTR	DESCRIPTION	DATE	DWN	APVD
-	-	SEE SHEET 1	-	-	-



- NOTES :
- PACKING MATERIAL MET TE SPEC TEC-138-702.
 - * CADMIUM AND CADMIUM COMPOUNDS CONTENT:
5 PPM UNDER (PLASTIC, RUBBER, INK, PIGMENT, PAINT)
 - * LEAD, CADMIUM, CHROM VI AND MERCURY IN PACKAGING MATERIALS CONTENT: 100 PPM (COMBINED) UNDER.
1. MATERIAL :
- TRAY: **ABS**, COLOR: BLACK.
 - CARTON: CORRUGATED FIBER
 - BOX: CORRUGATED FIBER
 - TRANSPARENT BAG: PE, SIZE: 500mm*380mm*0.06mm
2. EACH BAG SHALL BE INCLUDED:
- * DESICCANT

9.7 KG	3.4 KG	24	20	480
GROSS WEIGHT	NET WEIGHT	PCS/ TRAY	TRAY/ BOX	PCS/ BOX

THIS DRAWING IS A CONTROLLED DOCUMENT.		DWN	TE Connectivity SOCKET ASSEMBLY VLP DDR-III, SMT, 240P				
DIMENSIONS: mm		CHK					
		APVD					
TOLERANCES UNLESS OTHERWISE SPECIFIED: 0 PLC ± - 1 PLC ± - 2 PLC ± 0.13 3 PLC ± 0.013 4 PLC ± - ANGLES ± 1°		PRODUCT SPEC					
MATERIAL	FINISH	APVD	NAME	SIZE	CAGE CODE	DRAWING NO	RESTRICTED TO
SEE NOTE	SEE NOTE	APVD		A3	00779	C-1932810	-
CUSTOMER DRAWING			WEIGHT	SCALE	SHEET	REV	
			-	N/A	6 OF 6	E	