



Chipsmall Limited consists of a professional team with an average of over 10 year of expertise in the distribution of electronic components. Based in Hongkong, we have already established firm and mutual-benefit business relationships with customers from,Europe,America and south Asia,supplying obsolete and hard-to-find components to meet their specific needs.

With the principle of "Quality Parts,Customers Priority,Honest Operation,and Considerate Service",our business mainly focus on the distribution of electronic components. Line cards we deal with include Microchip,ALPS,ROHM,Xilinx,Pulse,ON,Everlight and Freescale. Main products comprise IC,Modules,Potentiometer,IC Socket,Relay,Connector.Our parts cover such applications as commercial,industrial, and automotives areas.

We are looking forward to setting up business relationship with you and hope to provide you with the best service and solution. Let us make a better world for our industry!



## Contact us

Tel: +86-755-8981 8866 Fax: +86-755-8427 6832

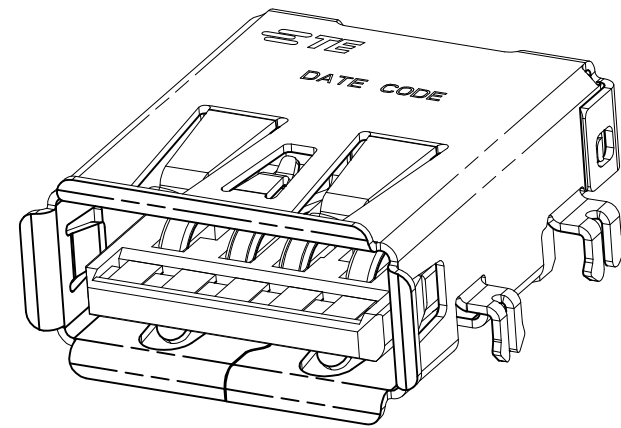
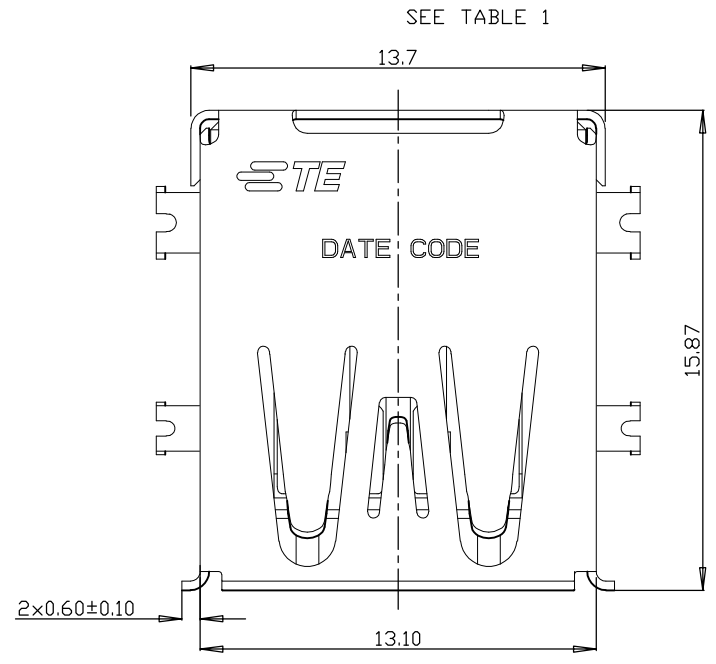
Email & Skype: info@chipsmall.com Web: www.chipsmall.com

Address: A1208, Overseas Decoration Building, #122 Zhenhua RD., Futian, Shenzhen, China



THIS DRAWING IS UNPUBLISHED.		RELEASED FOR PUBLICATION							
© COPYRIGHT - By -		ALL RIGHTS RESERVED.							
PIN ASSIGNMENT	1	2	3	4	5	6	7	8	9
SIGNAL NAME	VBUS	D-	D+	GND	STDA_SSRX-	STDA_SSRX+	GND_DRAIN	STDA_SSTX-	STDA_SSTX+
REMARK	USB 2.0 CONTACT PIN				USB 3.0 CONTACT PIN				

LOC	DIST	REVISIONS			
P	LTR	DESCRIPTION	DATE	DWN	APVD
ES	00	A	INITIAL RELEASE	25SEP2012	F.L S.Y
		A3	RELEASED PER ECR-13-009213	05JUNE2013	F.L S.Y
		-			- -



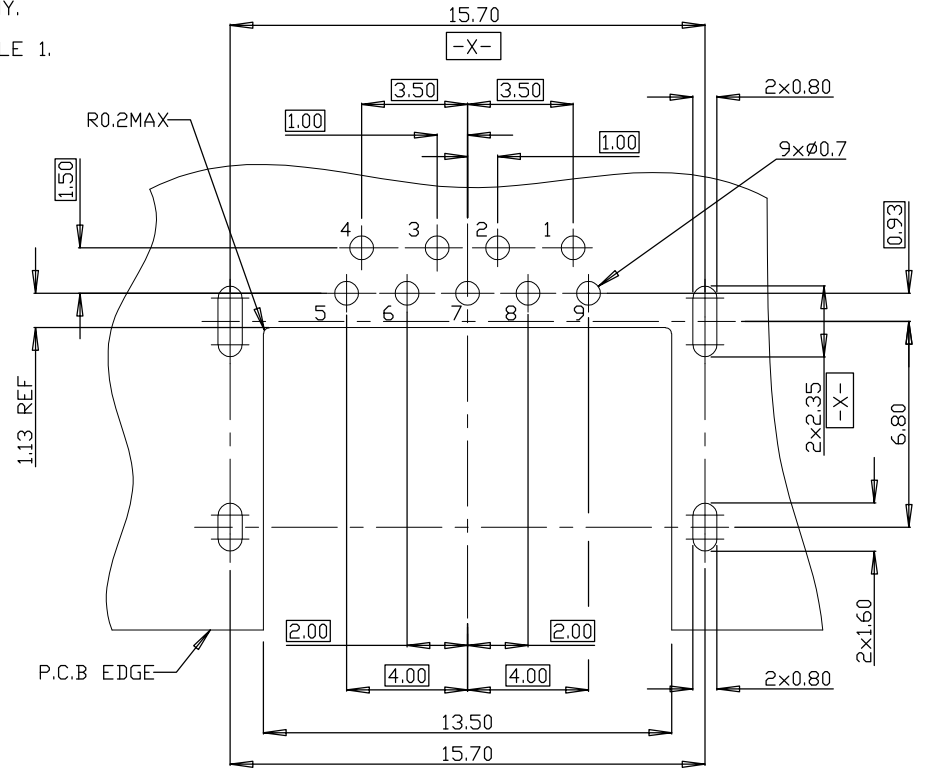
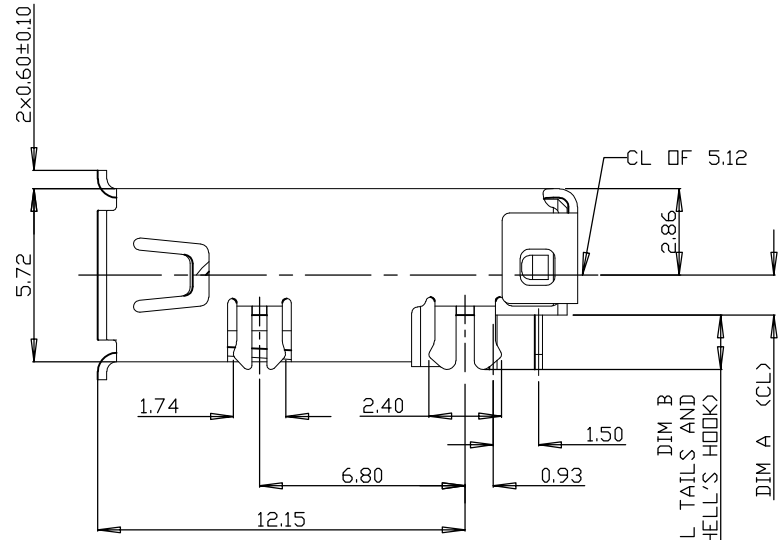
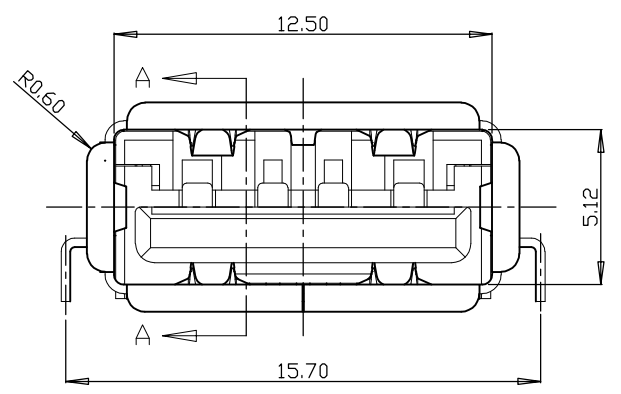
NOTE:

1 MATERIAL:  
HOUSING: THERMOPLASTIC, BLACK;  
LOW HALOGEN SPECIFICATION: CHLORINE 900 PPM MAX.  
BROMINE 900 PPM MAX. CHLORINE AND BROMINE 1500 PPM MAX.  
CONTACT: COPPER ALLOY.  
SHELL: STEEL

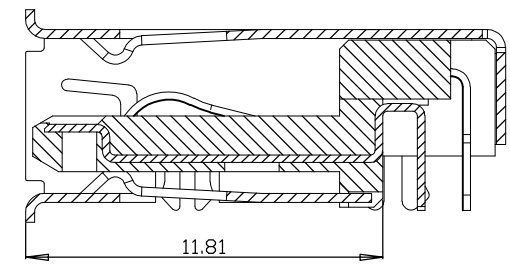
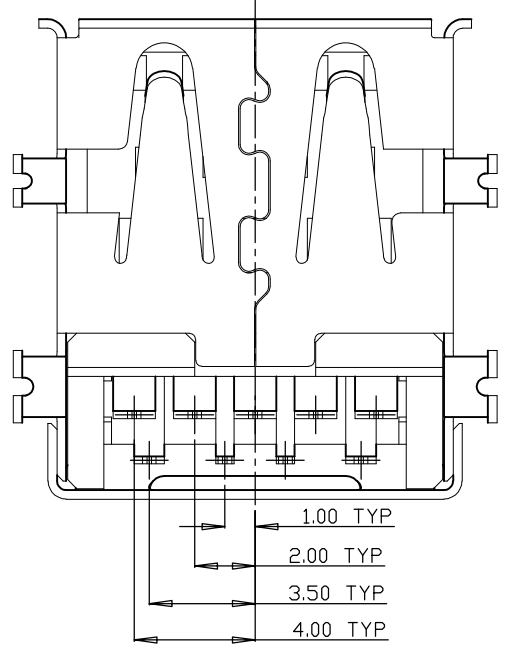
2 FINISH:  
CONTACT:  
GOLD PLATING ON CONTACT AREA, SEE TABLE,  
2.54um MIN MATTE TIN PLATING ON SOLDER TAIL AREA,  
1.27um NICKEL UNDER PLATING.  
SHELL: SEE TABLE.

3 MATERIAL:  
HOUSING: THERMOPLASTIC, BLUE (PANTONE 300C).  
LOW HALOGEN SPECIFICATION: CHLORINE 900 PPM MAX.  
BROMINE 900 PPM MAX. CHLORINE AND BROMINE 1500 PPM MAX.  
CONTACT: COPPER ALLOY.  
SHELL: STEEL

4. PIN ASSIGNMENT: SEE TABLE 1.



RECOMMENDED PCB LAYOUT, CONNECTOR MOUNTING SIDE VIEW  
(THICKNESS=1.25 mm, TOLERANCE= ±0.03 mm)



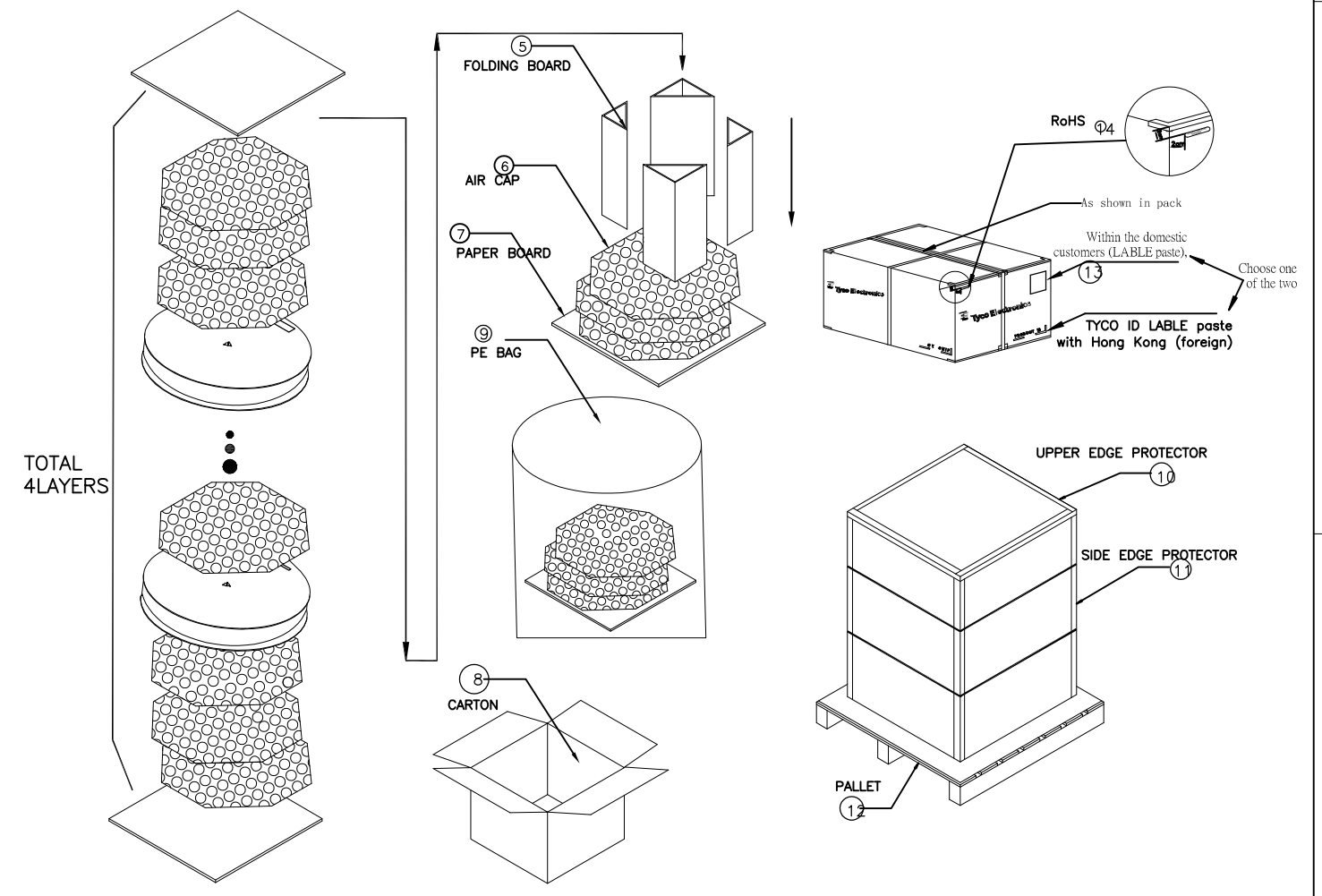
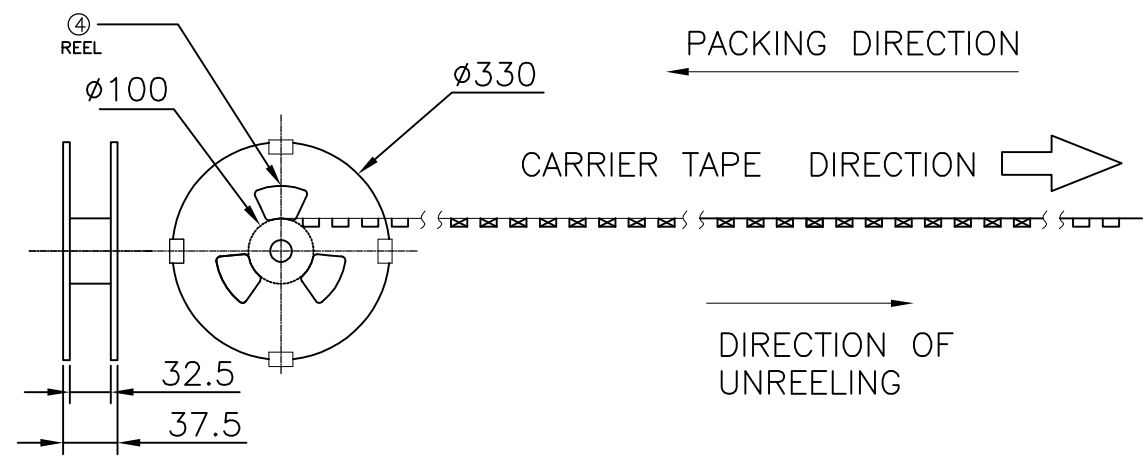
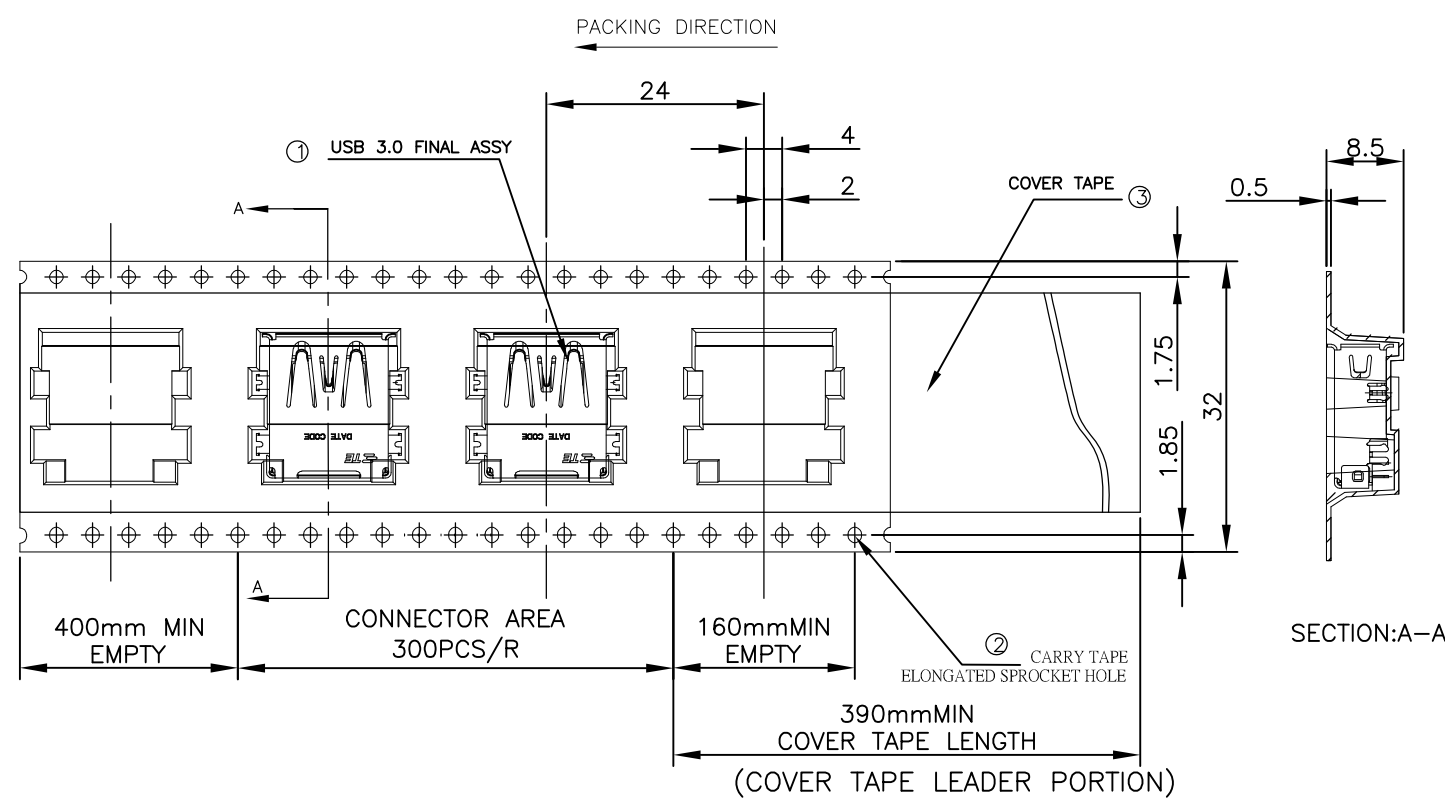
SECTION A-A

NICKEL + MATTEE TIN	0.13um MIN.	1.50	0.14	⚠	1932847-3
NICKEL + MATTEE TIN	0.76um MIN.	1.80	1.32	⚠	1932847-2
NICKEL + MATTEE TIN	0.76um MIN.	1.80	1.32	⚠	1932847-1
SHELL PLATING	CONTACT GOLD PLATING	DIM B	DIM A	MATERIAL	P/N

THIS DRAWING IS A CONTROLLED DOCUMENT.		DWN	25SEP2012	TE Connectivity USB 3.0 TYPE A RECEPTACLE REVERSE OFFSET TYPE	
		CHK	25SEP2012		
		APVD	25SEP2012		
		PRODUCT SPEC			
		APPLICATION SPEC		NAME	
		WEIGHT		SIZE	CAGE CODE
		CUSTOMER DRAWING		DRAWING NO	RESTRICTED TO
				A300779	C=1932847
				SCALE	SHEET
				4:1	1 OF 2
				REV	A3

THIS DRAWING IS UNPUBLISHED. RELEASED FOR PUBLICATION  
 © COPYRIGHT - By - ALL RIGHTS RESERVED.

LOC	DIST	REVISIONS					
ES	00	P	LTR	DESCRIPTION	DATE	DWN	APVD
		-		SEE SHEET 1	-	-	-



TAPE REEL PACKAGE FOR 1932847-1,-2,-3

THIS DRAWING IS A CONTROLLED DOCUMENT.		DWN	FRANCIS LEE	13MAY2011	TE Connectivity USB 3.0 TYPE A RECEPTACLE REVERSE OFFSET TYPE PACKING DRAWING				
DIMENSIONS: mm		CHK	MARTIN LI	13MAY2011					
TOLERANCES UNLESS OTHERWISE SPECIFIED:		APVD	STEVEN YAO	13MAY2011					
0 PLC ± 0.35 1 PLC ± 0.35 2 PLC ± 0.35 3 PLC ± 0.35 4 PLC ± 0.1 ANGLES ± -		NAME							
MATERIAL		FINISH			SIZE	CAGE CODE	DRAWING NO	RESTRICTED TO	
-		-			A3	00779	C-1932847	-	
CUSTOMER DRAWING				SCALE	4:1	SHEET	2 OF 2	REV	A3