



Chipsmall Limited consists of a professional team with an average of over 10 year of expertise in the distribution of electronic components. Based in Hongkong, we have already established firm and mutual-benefit business relationships with customers from,Europe,America and south Asia,supplying obsolete and hard-to-find components to meet their specific needs.

With the principle of “Quality Parts,Customers Priority,Honest Operation,and Considerate Service”,our business mainly focus on the distribution of electronic components. Line cards we deal with include Microchip,ALPS,ROHM,Xilinx,Pulse,ON,Everlight and Freescale. Main products comprise IC,Modules,Potentiometer,IC Socket,Relay,Connector.Our parts cover such applications as commercial,industrial, and automotives areas.

We are looking forward to setting up business relationship with you and hope to provide you with the best service and solution. Let us make a better world for our industry!



Contact us

Tel: +86-755-8981 8866 Fax: +86-755-8427 6832

Email & Skype: info@chipsmall.com Web: www.chipsmall.com

Address: A1208, Overseas Decoration Building, #122 Zhenhua RD., Futian, Shenzhen, China



4

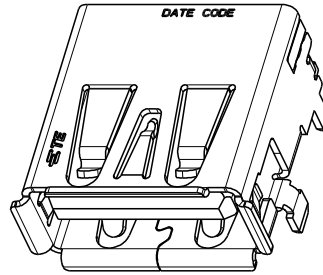
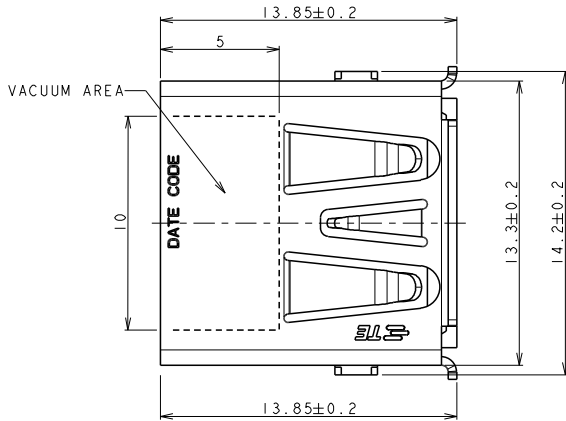
3

2

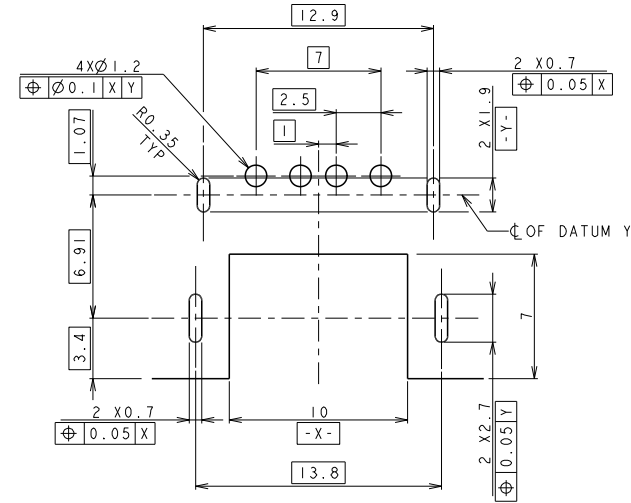
1

THIS DRAWING IS UNPUBLISHED. RELEASED FOR PUBLICATION 20
COPYRIGHT 20 BY - ALL RIGHTS RESERVED.

| LOC | DIST | REVISIONS | | | |
|-----|------|-------------|----------|-----------|---------|
| P | LTR | DESCRIPTION | DATE | DWN | APVD |
| ES | 00 | A | RELEASED | 06APR2012 | J.H S.Y |
| | | | | | |
| | | | | | |



3D VIEW ONLY FOR REFERENCE

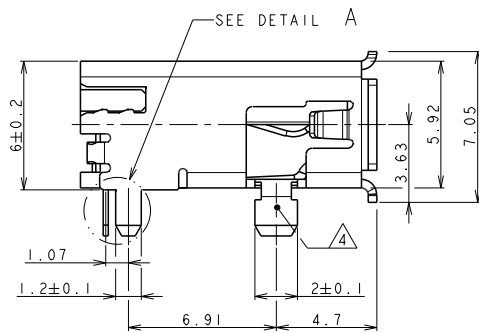


RECOMMENDED PCB LAYOUT (THICKNESS=1.2mm, TOLERANCE=±0.05)

NOTES:

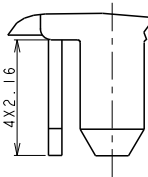
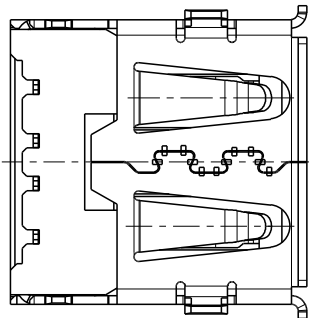
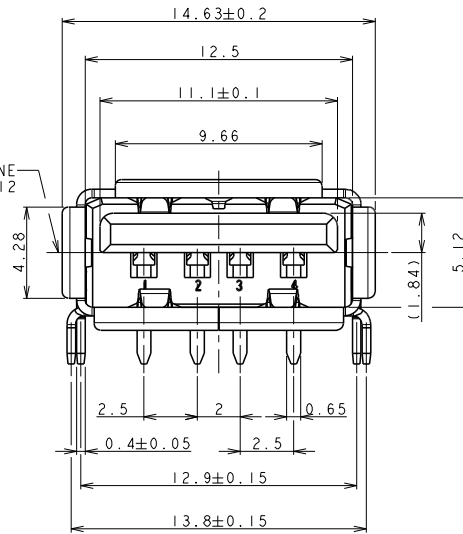
- △ MATERIALS:
 - HOUSING: NYLON, LOW HALOGEN; COLOR: BLACK
 - CONTACTS: COPPER ALLOY
 - SHIELD: CARBON STEEL (T=0.40mm)
- △ FINISH:
 - CONTACT: 0.13um MIN GOLD PLATING AND POROSITY SEALING TREATMENT ON CONTACT AREA
 - 3.8um MIN MATTE TIN ON SOLDER TAILS
 - 1.27um MIN NICKEL UNDER PLATING
 - SHIELD: 3um MIN MATTE TIN ALL OVER 1.0um MIN NICKEL
 - INCLUDES FRACTURE SURFACE (EDGE)

1932854-1 PART NUMBER



SEE DETAIL A

CENTER LINE OF 5.12



DETAIL A SCALE 15:1

| | | | | |
|--|--|---------------------------|---|--|
| THIS DRAWING IS A CONTROLLED DOCUMENT. | | DWN ADAMS LV 21APR2011 | TE Connectivity | |
| DIMENSIONS: mm | | CHK MARTIN LI 21APR2011 | RECEPTACLE ASSEMBLY RIGHT ANGLE SMT USB 2.0 | |
| TOLERANCES UNLESS OTHERWISE SPECIFIED: | | APVD STEVEN YAO 21APR2011 | NAME | |
| 0 PLC ± | | PRODUCT SPEC | SIZE | |
| 1 PLC ±0.20 | | 108-60034 | CAGE CODE | |
| 2 PLC ±0.20 | | APPLICATION SPEC | DRAWING NO | |
| 3 PLC ± | | | RESTRICTED TO | |
| 4 PLC ± | | | A200779 | |
| ANGLES | | | ©=1932854 | |
| FINISH | | | SCALE 6:1 SHEET 1 OF 2 REV A | |
| MATERIAL | | WEIGHT | CUSTOMER DRAWING | |

4

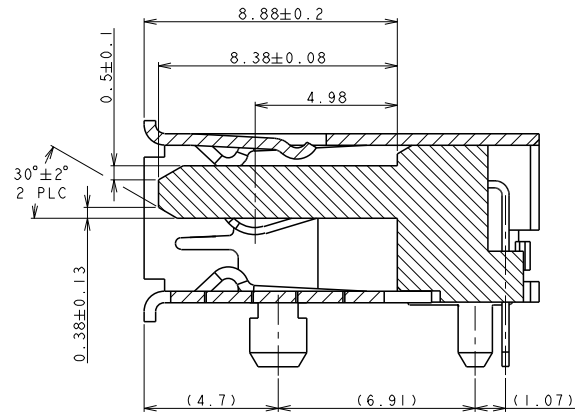
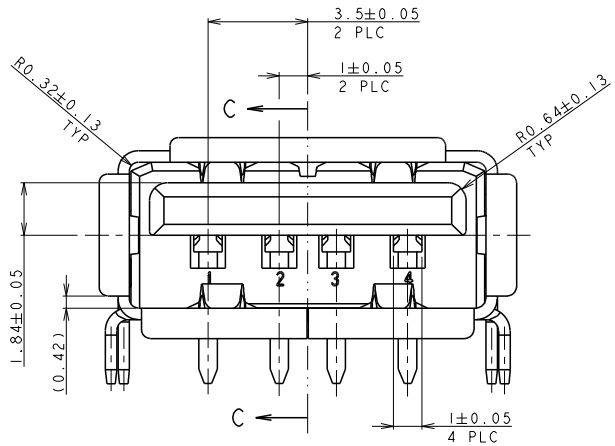
3

2

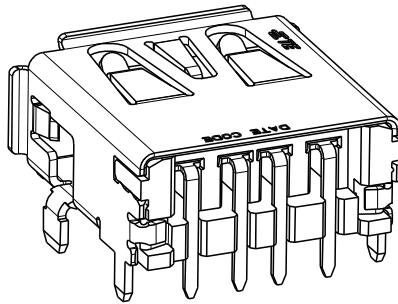
1

THIS DRAWING IS UNPUBLISHED. RELEASED FOR PUBLICATION 20
 © COPYRIGHT 20 BY - ALL RIGHTS RESERVED.

| LOC | DIST | REVISIONS | | | | | |
|-----|------|-----------|-----|-------------|------|-----|------|
| ES | 00 | P | LTR | DESCRIPTION | DATE | DWN | APVD |
| | | - | | SEE SHEET 1 | - | - | - |
| | | | | | | | |
| | | | | | | | |



SECTION C-C



3D VIEW ONLY FOR REFERENCE

| | | | | | |
|--|--|------------------|------------|-----------|---|
| THIS DRAWING IS A CONTROLLED DOCUMENT. | | DWN | ADAMS LV | 21APR2011 | TE Connectivity |
| | | CHK | MARTIN LI | 21APR2011 | |
| | | APVD | STEVEN YAO | 21APR2011 | NAME |
| | | PRODUCT SPEC | | | RECEPTACLE ASSEMBLY RIGHT ANGLE SMT USB 2.0 |
| | | APPLICATION SPEC | | | |
| | | SIZE | CAGE CODE | | DRAWING NO |
| | | A200779 | | | ©=1932854 |
| | | WEIGHT | - | | RESTRICTED TO |
| | | CUSTOMER DRAWING | | | SCALE |
| | | 6:1 | | | SHEET |
| | | 2 | | | OF |
| | | 2 | | | REV |
| | | | | | A |