



Chipsmall Limited consists of a professional team with an average of over 10 year of expertise in the distribution of electronic components. Based in Hongkong, we have already established firm and mutual-benefit business relationships with customers from,Europe,America and south Asia,supplying obsolete and hard-to-find components to meet their specific needs.

With the principle of “Quality Parts,Customers Priority,Honest Operation,and Considerate Service”,our business mainly focus on the distribution of electronic components. Line cards we deal with include Microchip,ALPS,ROHM,Xilinx,Pulse,ON,Everlight and Freescale. Main products comprise IC,Modules,Potentiometer,IC Socket,Relay,Connector.Our parts cover such applications as commercial,industrial, and automotives areas.

We are looking forward to setting up business relationship with you and hope to provide you with the best service and solution. Let us make a better world for our industry!



## Contact us

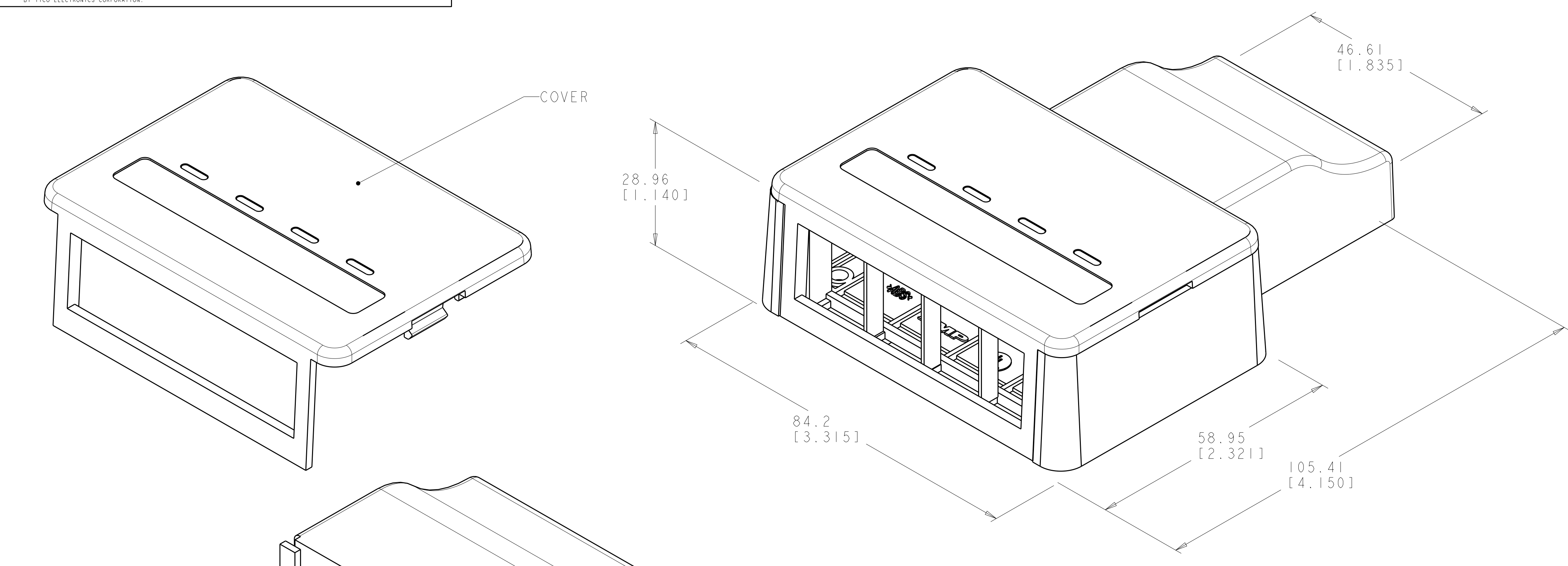
Tel: +86-755-8981 8866 Fax: +86-755-8427 6832

Email & Skype: info@chipsmall.com Web: www.chipsmall.com

Address: A1208, Overseas Decoration Building, #122 Zhenhua RD., Futian, Shenzhen, China



LOC	DIST	REVISIONS			
HM	00	REV	DATE	BY	APPD
		A	RELEASED; NSD07-013	13MAR2007	GG GB
		B	REV ECO-11-000935	14JAN2011	LH RA

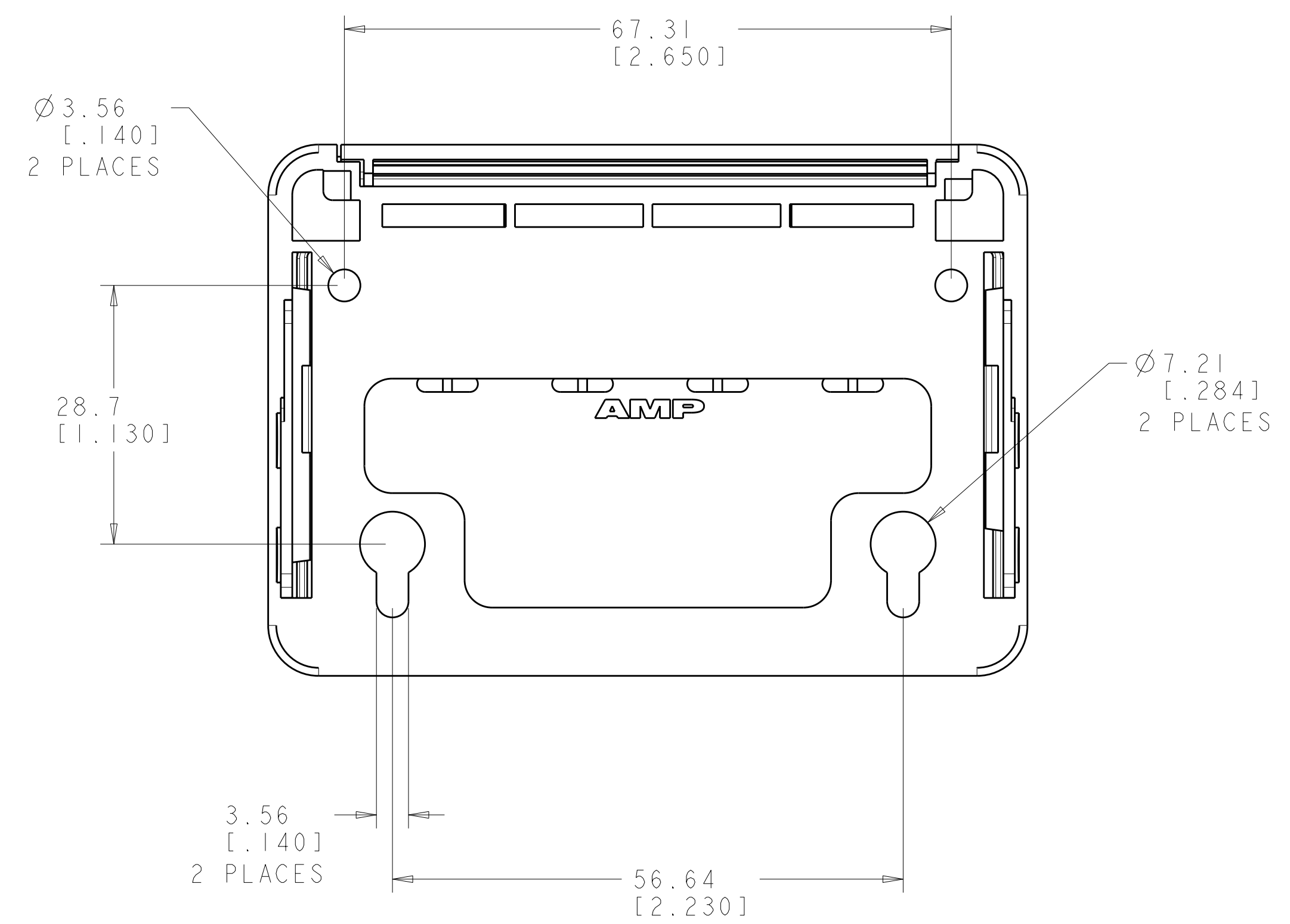
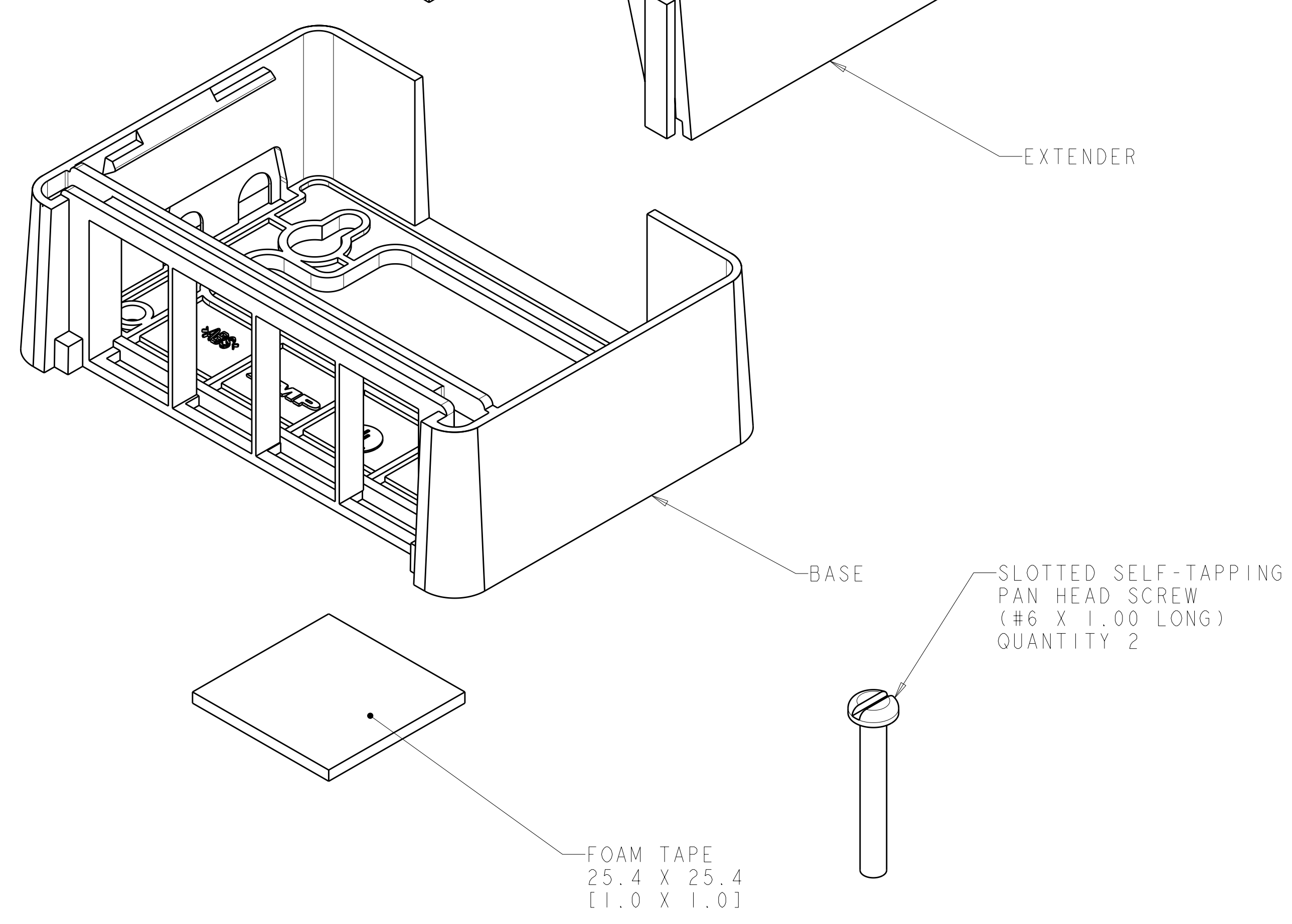


⚠ MATERIAL:  
 BASE, COVER AND EXTENDER - ABS MOLDING COMPOUND. SEE TABLE FOR COLOR.  
 FOAM TAPE - DOUBLE SIDED ADHESIVE. POLYETHYLENE.  
 SCREWS - ZINC PLATED CARBON STEEL.

⚠ DIMENSIONS ARE NOMINAL UNLESS OTHERWISE SPECIFIED.

3. KIT SHIPPED NOT ASSEMBLED.

ASSEMBLED VIEW



COLOR	PART NUMBER
ELECTRIC IVORY	1-1933288-1
NEMA GRAY	1933288-4
WHITE	1933288-3
BLACK	1933288-2
LIGHT ALMOND	1933288-1

DIMENSIONS: mm [INCHES] TOLERANCES UNLESS OTHERWISE SPECIFIED: 9 PLC ± .1 5 PLC ± .1 4 PLC ± .1 ANGLES ± .1 MATERIAL: $\triangle$ FINISH: $\triangle$		DWN: G. GARRETT 13MAR2007 CHK: G. ROWMAN 13MAR2007 APPD: G. ROWMAN 13MAR2007 PRODUCT SPEC: APPLICATION SPEC: 408-8399 WEIGHT: CUSTOMER DRAWING		Tyco Electronics Harrisburg, PA 17105-3608 NAME: KIT, OFFICE BOX, EXTENDER, 4 PORT SIZE: A1 CAGE CODE: 00779 DRAWING NO: C=1933288 RESTRICTED TO: REV B	
SCALE: 2:1		SHEET 1 OF 1		REV B	