



Chipsmall Limited consists of a professional team with an average of over 10 year of expertise in the distribution of electronic components. Based in Hongkong, we have already established firm and mutual-benefit business relationships with customers from,Europe,America and south Asia,supplying obsolete and hard-to-find components to meet their specific needs.

With the principle of "Quality Parts,Customers Priority,Honest Operation,and Considerate Service",our business mainly focus on the distribution of electronic components. Line cards we deal with include Microchip,ALPS,ROHM,Xilinx,Pulse,ON,Everlight and Freescale. Main products comprise IC,Modules,Potentiometer,IC Socket,Relay,Connector.Our parts cover such applications as commercial,industrial, and automotives areas.

We are looking forward to setting up business relationship with you and hope to provide you with the best service and solution. Let us make a better world for our industry!



Contact us

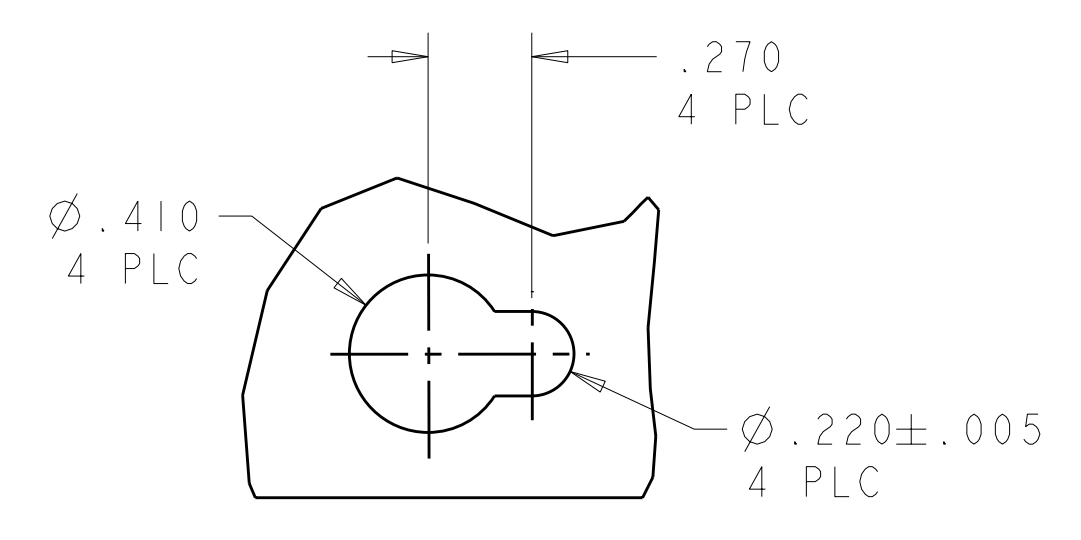
Tel: +86-755-8981 8866 Fax: +86-755-8427 6832

Email & Skype: info@chipsmall.com Web: www.chipsmall.com

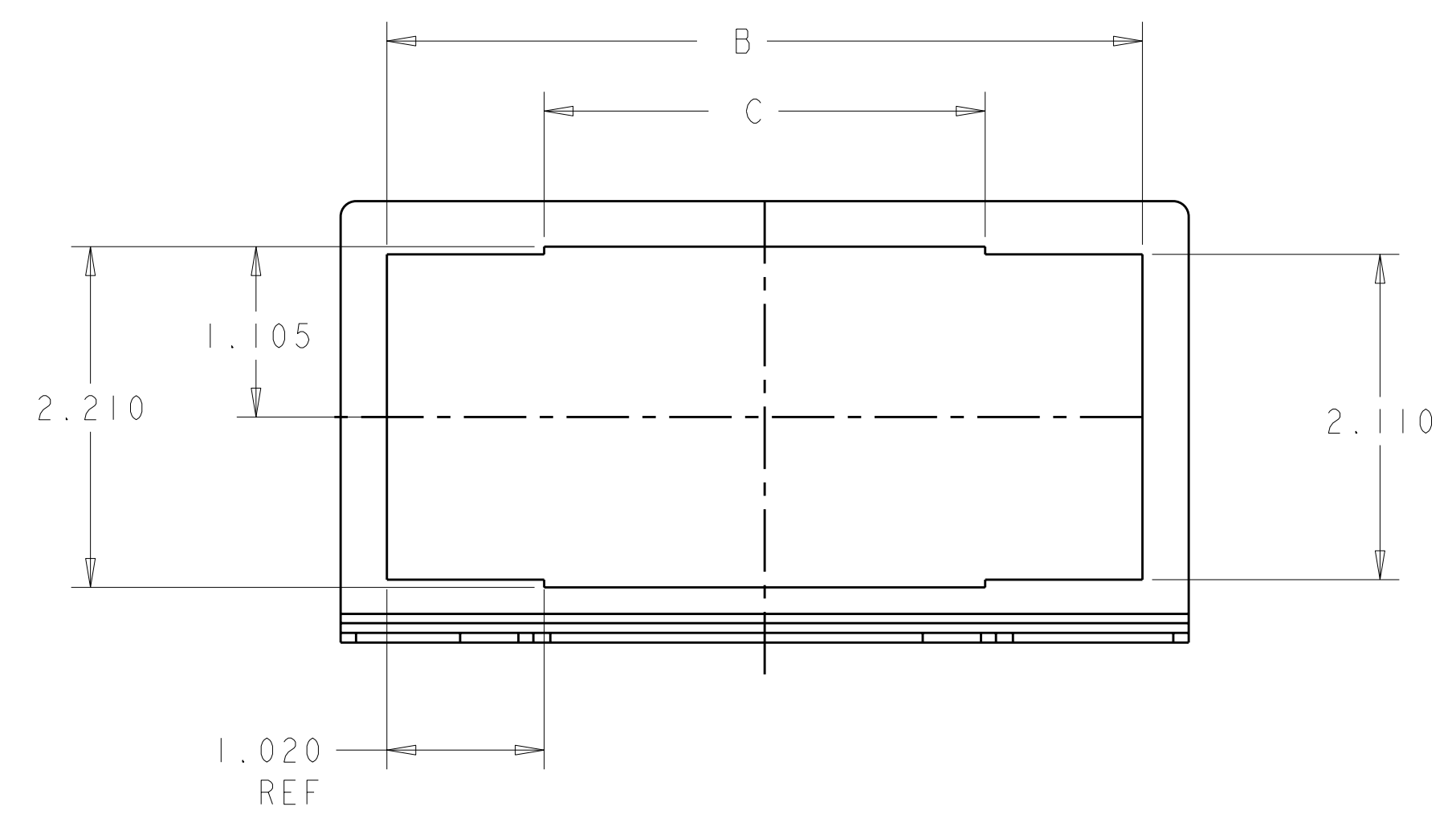
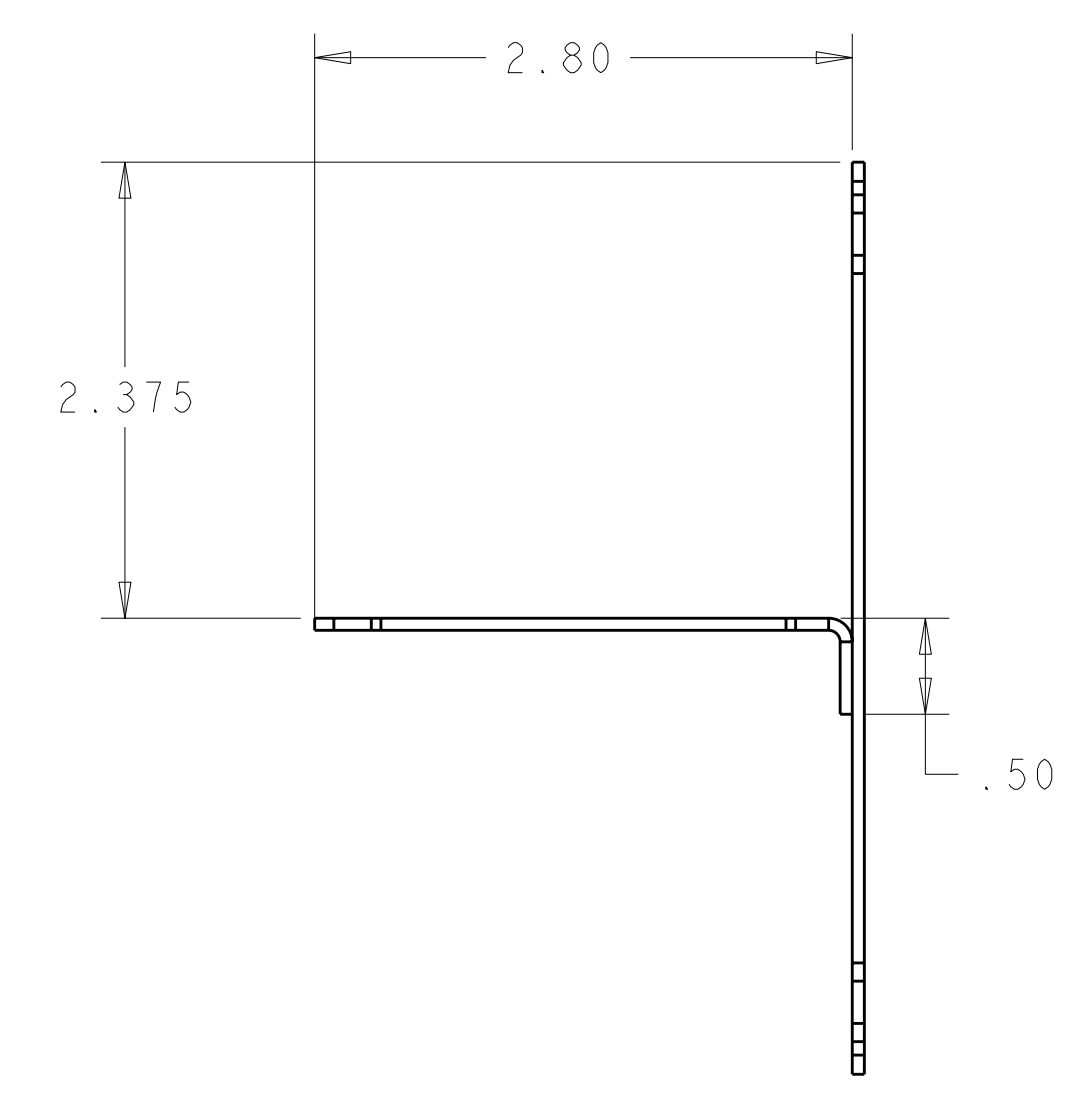
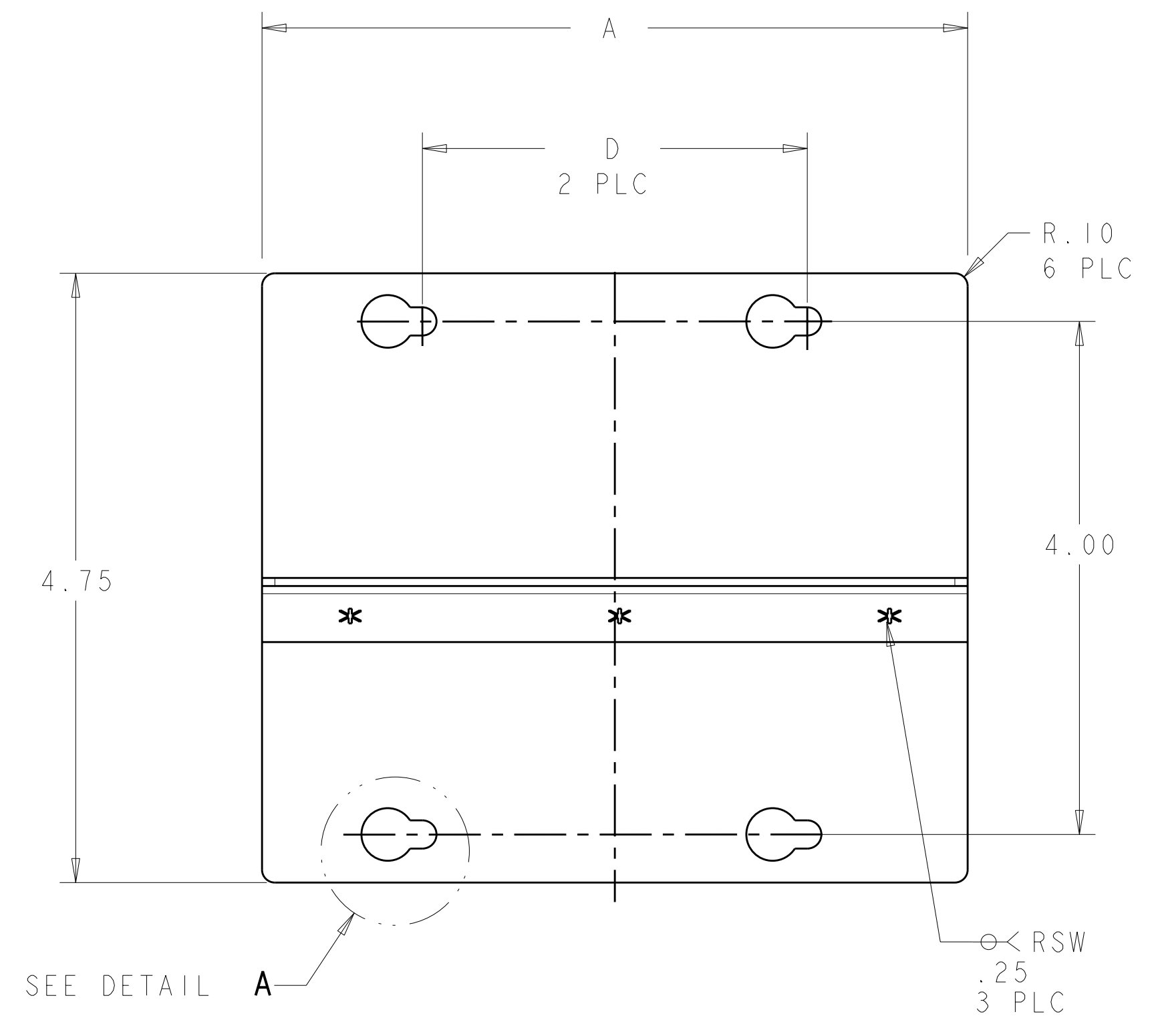
Address: A1208, Overseas Decoration Building, #122 Zhenhua RD., Futian, Shenzhen, China



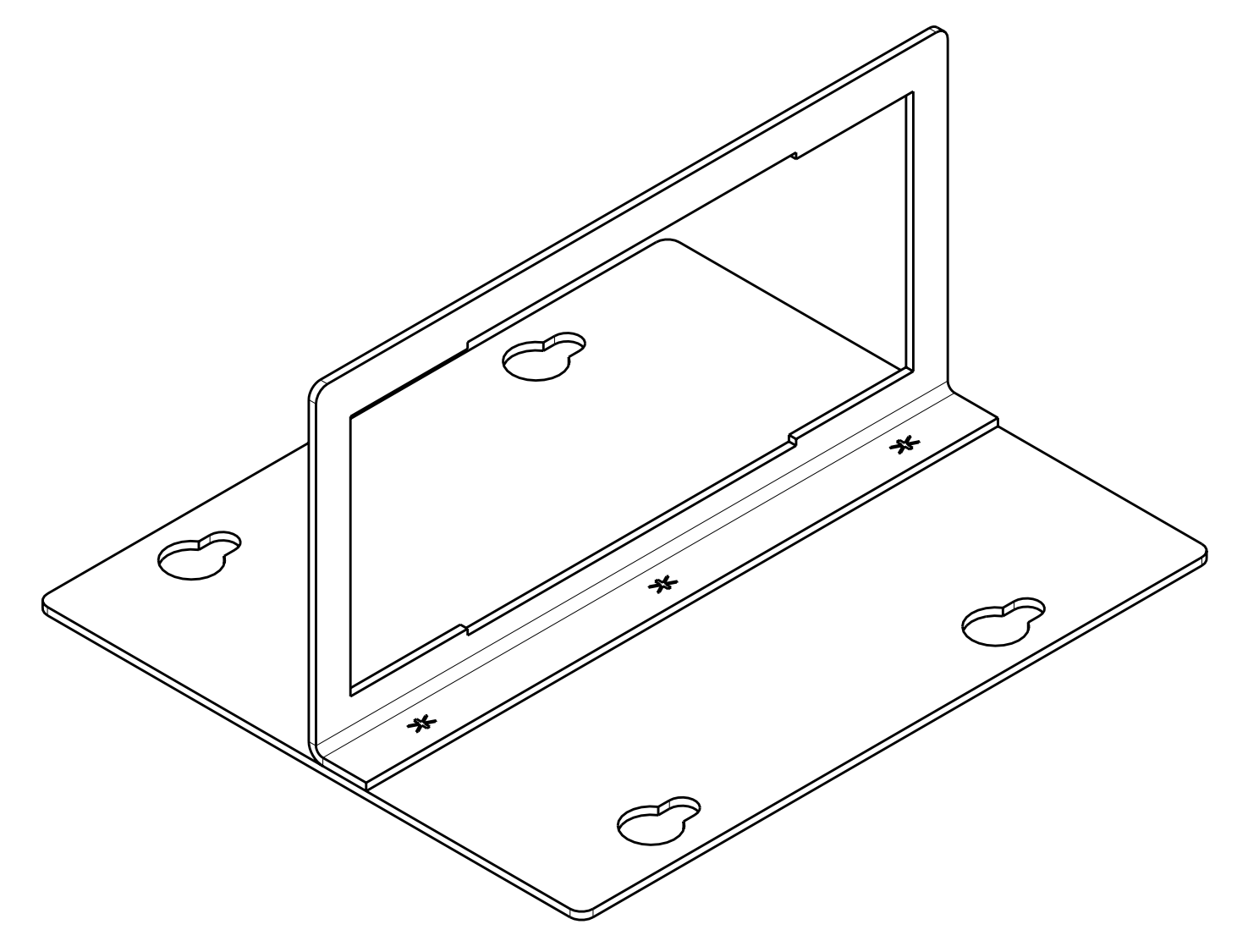
LOC	DIST	REVISIONS					
		P	LTR	DESCRIPTION	DATE	DWN	APVD
HM	00	A		NSD08-050	11JUN2008	JB	SJ
		B		REV: ECO-08-031885	22DEC2008	GG	SJ



DETAIL A
SCALE 2:1



- 1 DIMENSIONS ARE NOMINAL UNLESS OTHERWISE SPECIFIED.
- 2 MATERIAL: PREGALVANIZED CARBON STEEL.
- 3 APPLICATION: USE BRACKET WITH AMPINERGY SNAP-IN STYLE JUNCTION BOX (NOT INCLUDED) TO PROVIDE SURFACE MOUNTING FOR UP TO 2 DUPLEX RECEPTACLES (NOT INCLUDED). THE BRACKET CAN BE MOUNTED WITH CUSTOMER-SUPPLIED FASTENERS USING THE KEYHOLE PATTERN.



6.00	7.85	9.88	10.70	1933781-2
3.00	2.85	4.88	5.70	1933781-1
DIM D	DIM C	DIM B	DIM A	PART NO.

DIMENSIONS: INCHES TOLERANCES UNLESS OTHERWISE SPECIFIED: 9 PLC ± .010 8 PLC ± .008 5 PLC ± .005 4 PLC ± .003 ANGLES ± .5°		DWN: J. BURWELL 11JUNE08 CHK: S. JONES 11JUNE08 APVD: - PRODUCT SPEC: - APPLICATION SPEC: - WEIGHT: - MATERIAL: - FINISH: -		Tyco Electronics Harrisburg, PA 17105-3608 NAME: BRACKET, KEYHOLE MOUNT, SNAP-IN SIZE: A CAGE CODE: 100779 DRAWING NO: C=1933781 RESTRICTED TO: - SCALE: 1:1 SHEET: 1 OF 1 REV: B	
--	--	--	--	--	--