



Chipsmall Limited consists of a professional team with an average of over 10 year of expertise in the distribution of electronic components. Based in Hongkong, we have already established firm and mutual-benefit business relationships with customers from,Europe,America and south Asia,supplying obsolete and hard-to-find components to meet their specific needs.

With the principle of “Quality Parts,Customers Priority,Honest Operation,and Considerate Service”,our business mainly focus on the distribution of electronic components. Line cards we deal with include Microchip,ALPS,ROHM,Xilinx,Pulse,ON,Everlight and Freescale. Main products comprise IC,Modules,Potentiometer,IC Socket,Relay,Connector.Our parts cover such applications as commercial,industrial, and automotives areas.

We are looking forward to setting up business relationship with you and hope to provide you with the best service and solution. Let us make a better world for our industry!



## Contact us

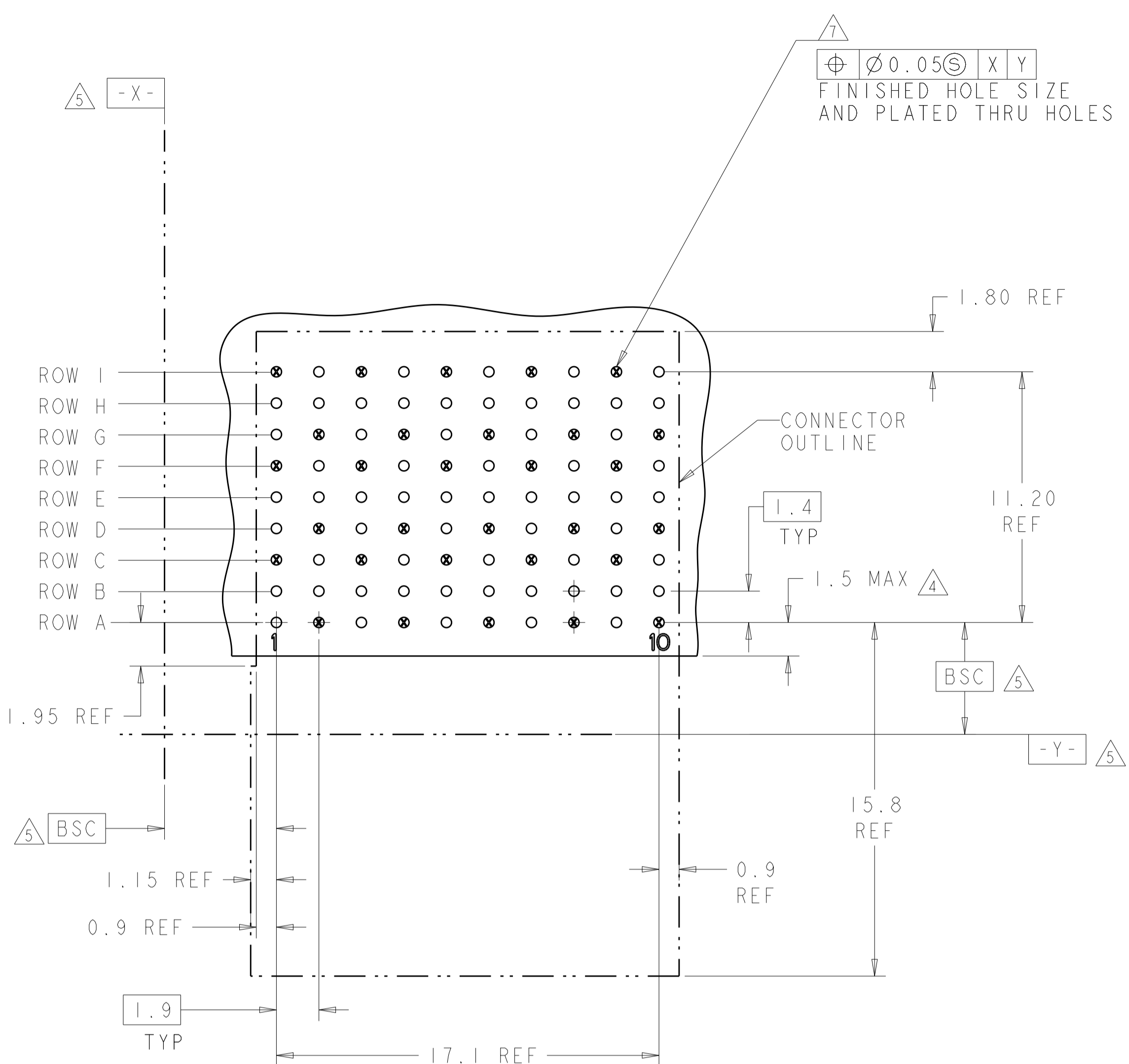
Tel: +86-755-8981 8866 Fax: +86-755-8427 6832

Email & Skype: info@chipsmall.com Web: www.chipsmall.com

Address: A1208, Overseas Decoration Building, #122 Zhenhua RD., Futian, Shenzhen, China

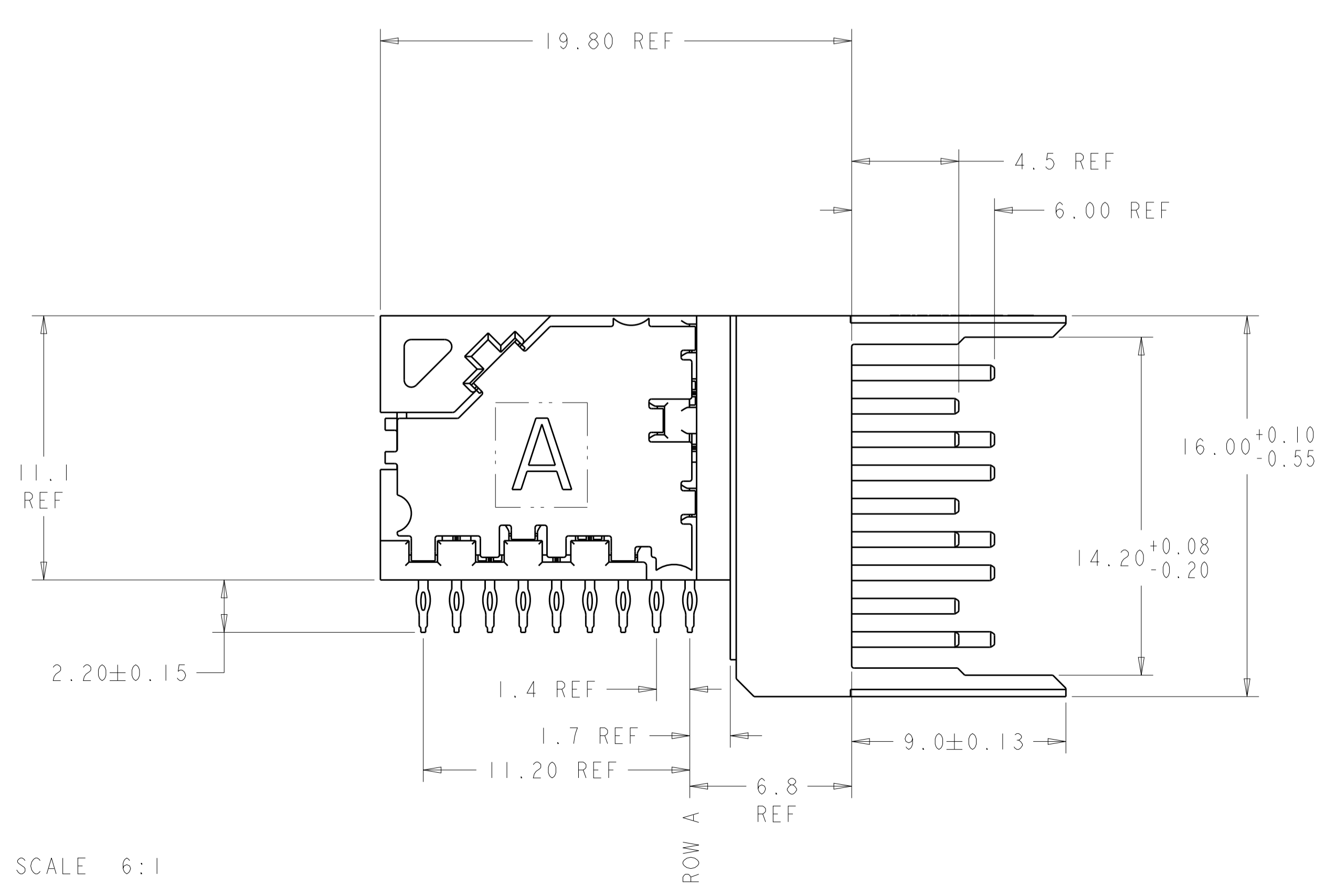


LOC	DIST	REVISIONS			
P	LTN	DESCRIPTION	DATE	DWN	APVD
C		REVISED PER ECO-13-002771	25FEB2013	KH	RP



○ = SIGNAL  
 ⊗ = GROUND

RECOMMENDED PC BOARD LAYOUT  
 COMPONENT SIDE SHOWN



SCALE 6:1

⊕ ∅ 0.05 ⊖ X | Y  
 FINISHED HOLE SIZE  
 AND PLATED THRU HOLES

△ MATERIAL:  
 CONTACT AND SHIELD: PHOS BRONZE  
 HOUSING AND CHICKLET: LCP, UL 94V-0, COLOR: BLACK

△ FINISH:  
 CONTACT AREA FINISH CONFORMS TO THE REQUIREMENTS  
 OF TE PRODUCT SPECIFICATION 108-2303; BASED ON  
 TELCORDIA GR-1217-CORE FOR SYSTEM QUALITY  
 LEVEL III, APPLICATIONS IN CONTROLLED  
 ENVIRONMENTS (CENTRAL OFFICE).  
 COMPLIANT PIN AREA- 0.5μm MIN MATTE TIN OVER 1.27μm MIN NICKEL.  
 SHIELD 1.27μm MIN NICKEL.

△ CONNECTOR MARKED WITH PART NUMBER, DATE CODE, AND  
 STANDARD IN APPROXIMATE AREA SHOWN.

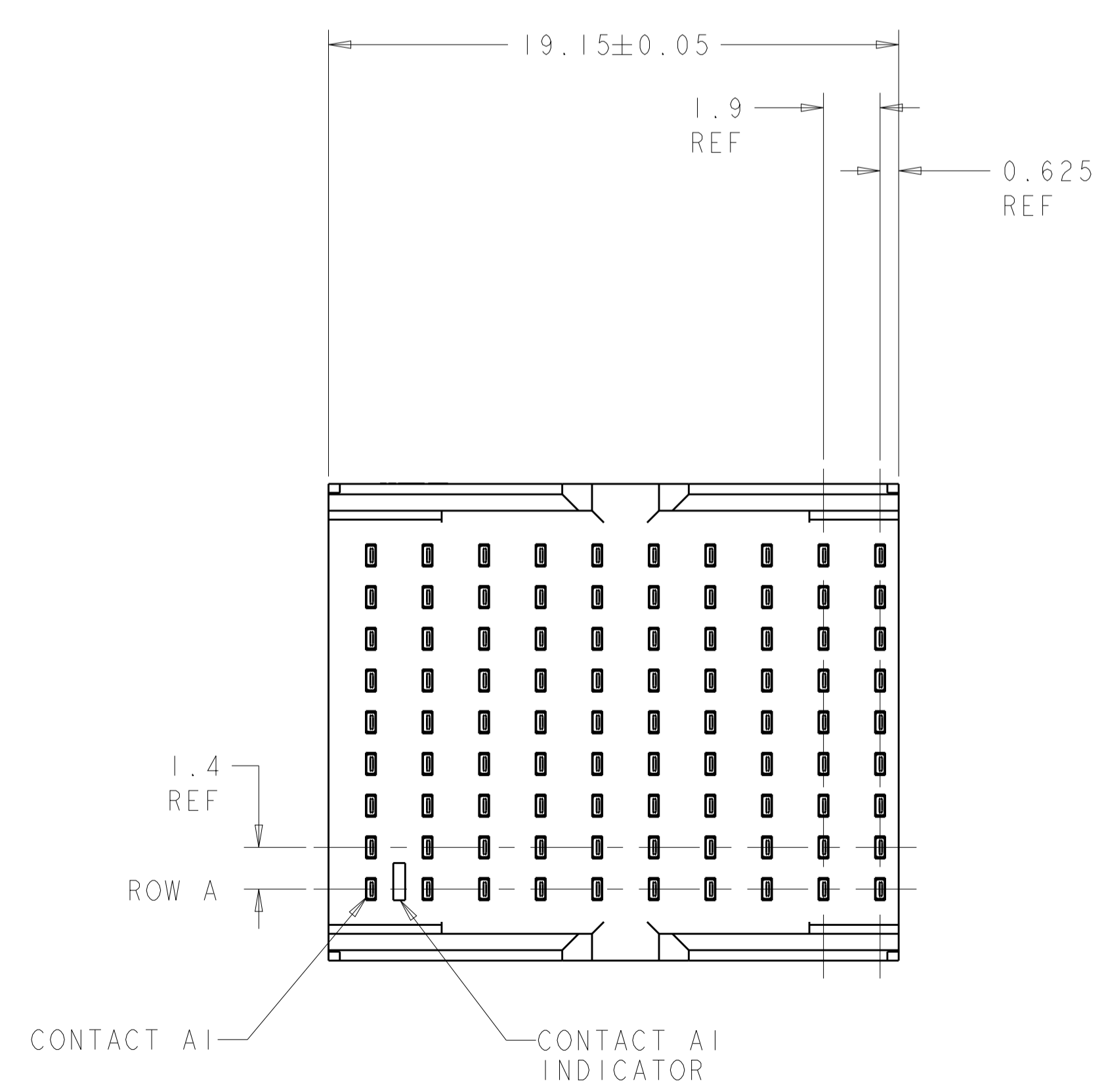
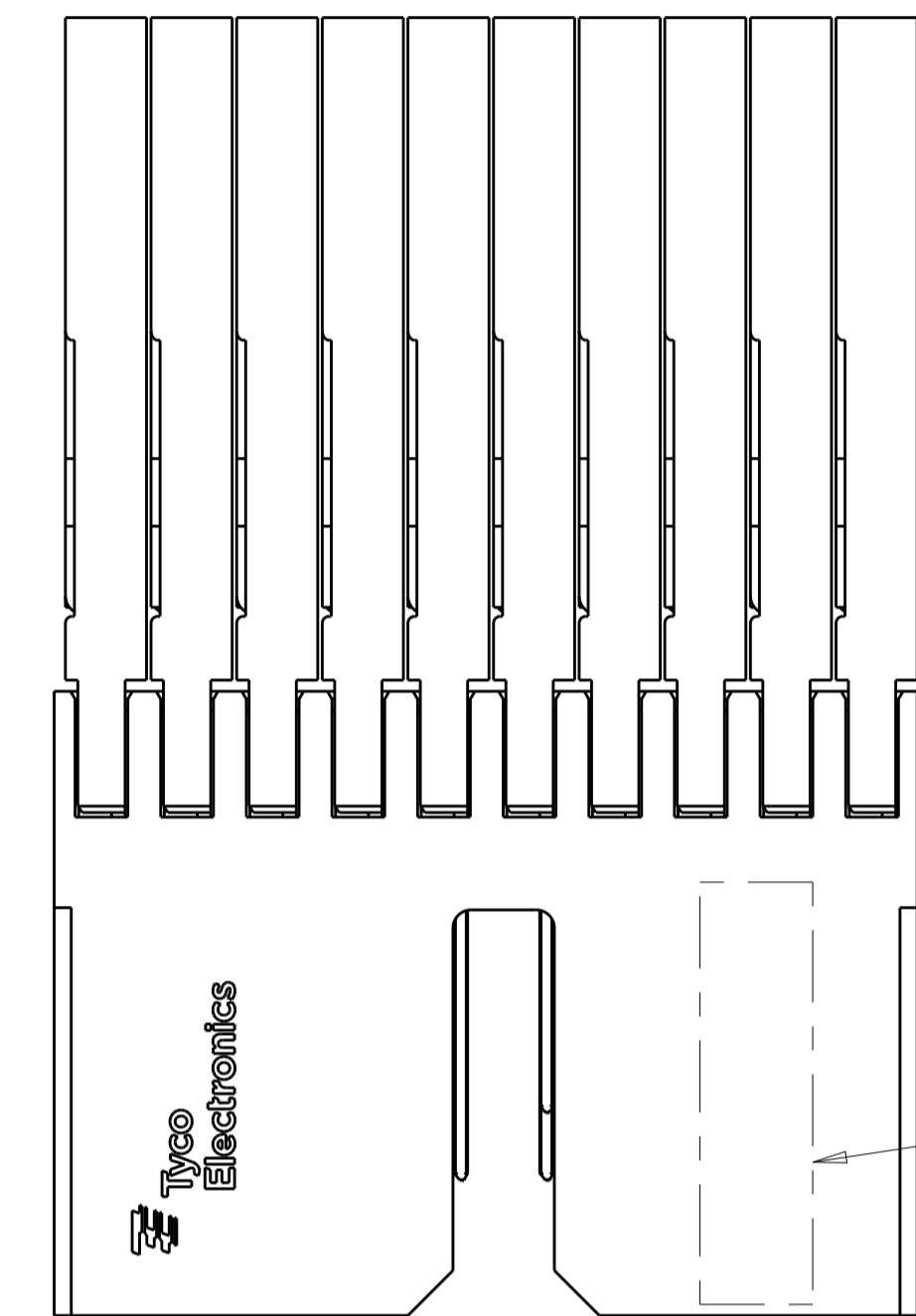
△ DIMENSION APPLIES TO CENTERLINE OF THRU HOLE.

△ DATUMS AND BASIC DIMENSIONS ESTABLISHED BY CUSTOMER.

6. CONTACT AREA LUBRICATED WITH BELLCORE APPROVED  
 LUBRICANT. TECHNICAL REFERENCE: GR-1217-CORE, ISSUE 1,  
 NOVEMBER 1995.

△ REFERENCE APPLICATION SPEC 114-13202 FOR RECOMMENDED  
 PLATED THRU HOLE DIAMETER AND PLATING THICKNESS.

△ ALL GROUNDS IN ODD NUMBERED COLUMNS ARE COMMONED.  
 ALL GROUNDS IN EVEN NUMBERED COLUMNS, EXCEPT FOR ROW A  
 ARE COMMONED.



1934357-1  
 PART NUMBER

THIS DRAWING IS A CONTROLLED DOCUMENT.		DWN: S. J. MAGARO 16AUG2007	TE Connectivity
DIMENSIONS: mm		CHK: W. DAVIS 16AUG2007	
TOLERANCES UNLESS OTHERWISE SPECIFIED:		APVD: B. PATTERSON 12OCT2007	NAME: RIGHT ANGLE HEADER ASSEMBLY, OPEN ENDED, 3 PAIR, 10 COLUMN, Z-PACK TinMan
0 PLC	±	PRODUCT SPEC	APPLICATION SPEC
1 PLC	±	APPLICATION SPEC	SIZE: CAGE CODE: DRAWING NO: RESTRICTED TO
2 PLC	±	WEIGHT	A100779C=1934357
3 PLC	±	CUSTOMER DRAWING	SCALE: 6:1 SHEET 1 OF 1 REV C
4 PLC	±		
ANGLES	±		