



Chipsmall Limited consists of a professional team with an average of over 10 year of expertise in the distribution of electronic components. Based in Hongkong, we have already established firm and mutual-benefit business relationships with customers from,Europe,America and south Asia,supplying obsolete and hard-to-find components to meet their specific needs.

With the principle of “Quality Parts,Customers Priority,Honest Operation,and Considerate Service”,our business mainly focus on the distribution of electronic components. Line cards we deal with include Microchip,ALPS,ROHM,Xilinx,Pulse,ON,Everlight and Freescale. Main products comprise IC,Modules,Potentiometer,IC Socket,Relay,Connector.Our parts cover such applications as commercial,industrial, and automotives areas.

We are looking forward to setting up business relationship with you and hope to provide you with the best service and solution. Let us make a better world for our industry!



Contact us

Tel: +86-755-8981 8866 Fax: +86-755-8427 6832

Email & Skype: info@chipsmall.com Web: www.chipsmall.com

Address: A1208, Overseas Decoration Building, #122 Zhenhua RD., Futian, Shenzhen, China

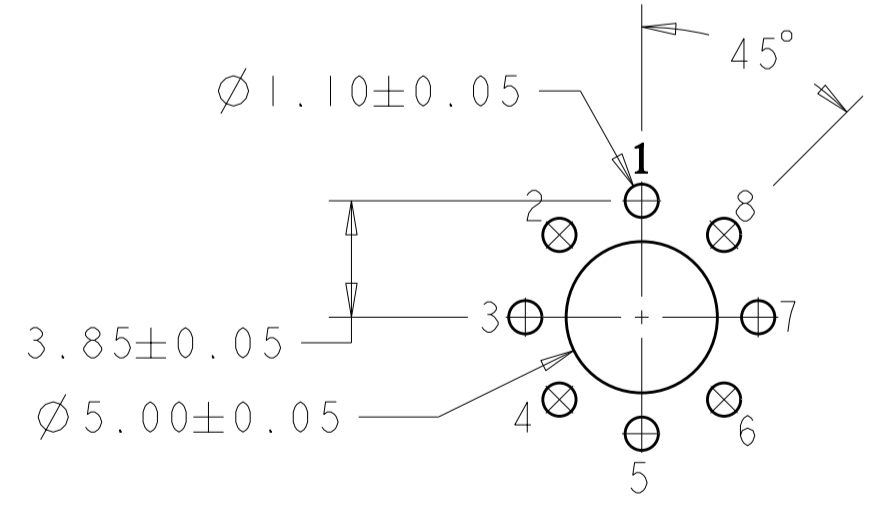
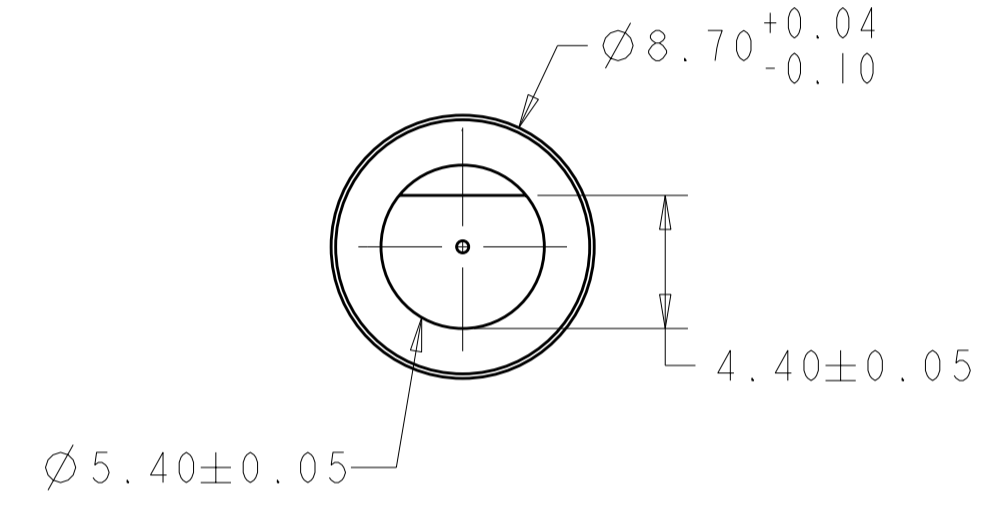
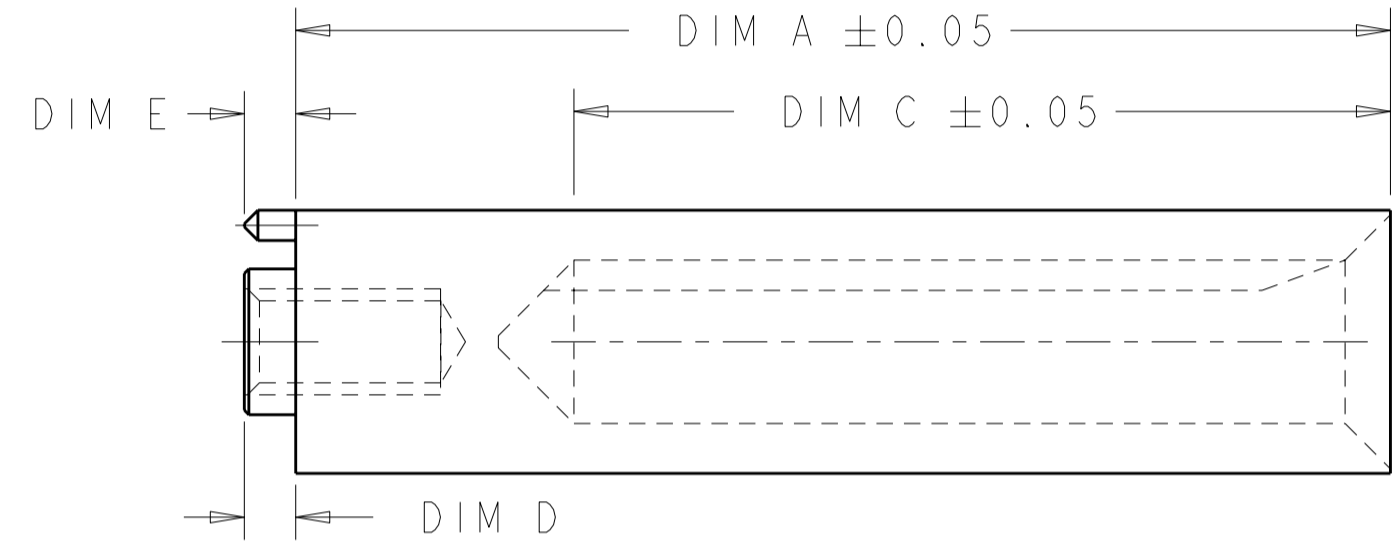
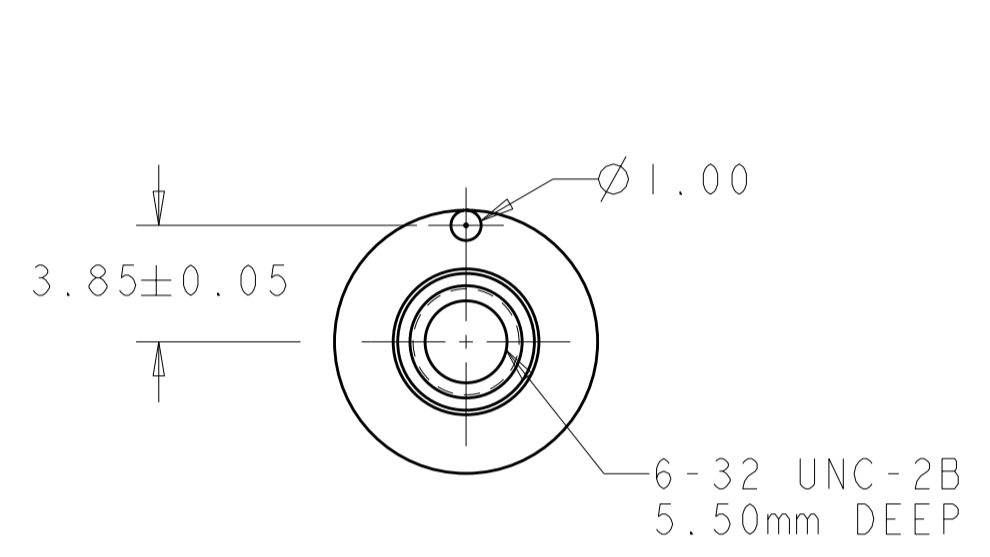


THIS DRAWING IS UNPUBLISHED. RELEASED FOR PUBLICATION 20
 © COPYRIGHT 20 BY TYCO ELECTRONICS CORPORATION. ALL RIGHTS RESERVED.

LOC	DIST	REVISIONS			
P	LTR	DESCRIPTION	DATE	DWN	APVD
AG	00				
	2	5.50 DP WAS 6.50	12MAY2009	WM	RP
	3	REVISED	17JUN2009	DH	DY
	A	RELEASED	23JUN2009	DH	DY

SCALE 4:1

- ① MATERIAL: ZINC ALLOY DIE CASTING.
- ② FINISH: CHROMATE CONVERSION COATING. (ROHS COMPATIBLE).



RECOMMENDED P.C. BOARD LAYOUT
 SHOWN IN KEYING POSITION 1 (CAN BE ROTATED IN 45° INCREMENTS
 WITH RECOMMENDED PIN FOR DIFFERENT KEYING POSITIONS 2 THROUGH 8)

2.20	2.20	27.0	36.2	1934988-6
1.70	1.70	30.0	39.2	1934988-5
1.70	1.70	18.0	27.2	1934988-4
1.70	1.70	6.0	15.2	1934988-3
1.70	1.70	3.0	12.2	1934988-2
1.70	1.70	27.0	36.2	1934988-1
DIM E	DIM D	DIM C	DIM A	Part Number

THIS DRAWING IS A CONTROLLED DOCUMENT FOR TYCO ELECTRONICS CORPORATION. IT IS SUBJECT TO CHANGE AND THE CONTROLLING ENGINEERING ORGANIZATION SHOULD BE CONTACTED FOR THE LATEST REVISION.		DWN W. MCGEE 23-Jun-09	Tyco Electronics Harrisburg, PA 17105-3608	
DIMENSIONS: mm		CHK R. PATTERSON 12MAY08	NAME MODULE, VERTICAL FEMALE UNIVERSAL POWER MODULE	
TOLERANCES UNLESS OTHERWISE SPECIFIED: 0 PLC ± 1 PLC ± 2 PLC ± 3 PLC ±0.013 4 PLC ± ANGLES ±30° FINISH		APVD R. PATTERSON 12MAY08	RESTRICTED TO	
MATERIAL		PRODUCT SPEC	SIZE A200779	CAGE CODE C-1934988
①		APPLICATION SPEC	DRAWING NO	
②		WEIGHT	SCALE 3:1	
CUSTOMER DRAWING		SHEET 1 OF 1 REV A		