



Chipsmall Limited consists of a professional team with an average of over 10 year of expertise in the distribution of electronic components. Based in Hongkong, we have already established firm and mutual-benefit business relationships with customers from,Europe,America and south Asia,supplying obsolete and hard-to-find components to meet their specific needs.

With the principle of “Quality Parts,Customers Priority,Honest Operation,and Considerate Service”,our business mainly focus on the distribution of electronic components. Line cards we deal with include Microchip,ALPS,ROHM,Xilinx,Pulse,ON,Everlight and Freescale. Main products comprise IC,Modules,Potentiometer,IC Socket,Relay,Connector.Our parts cover such applications as commercial,industrial, and automotives areas.

We are looking forward to setting up business relationship with you and hope to provide you with the best service and solution. Let us make a better world for our industry!



## Contact us

Tel: +86-755-8981 8866 Fax: +86-755-8427 6832

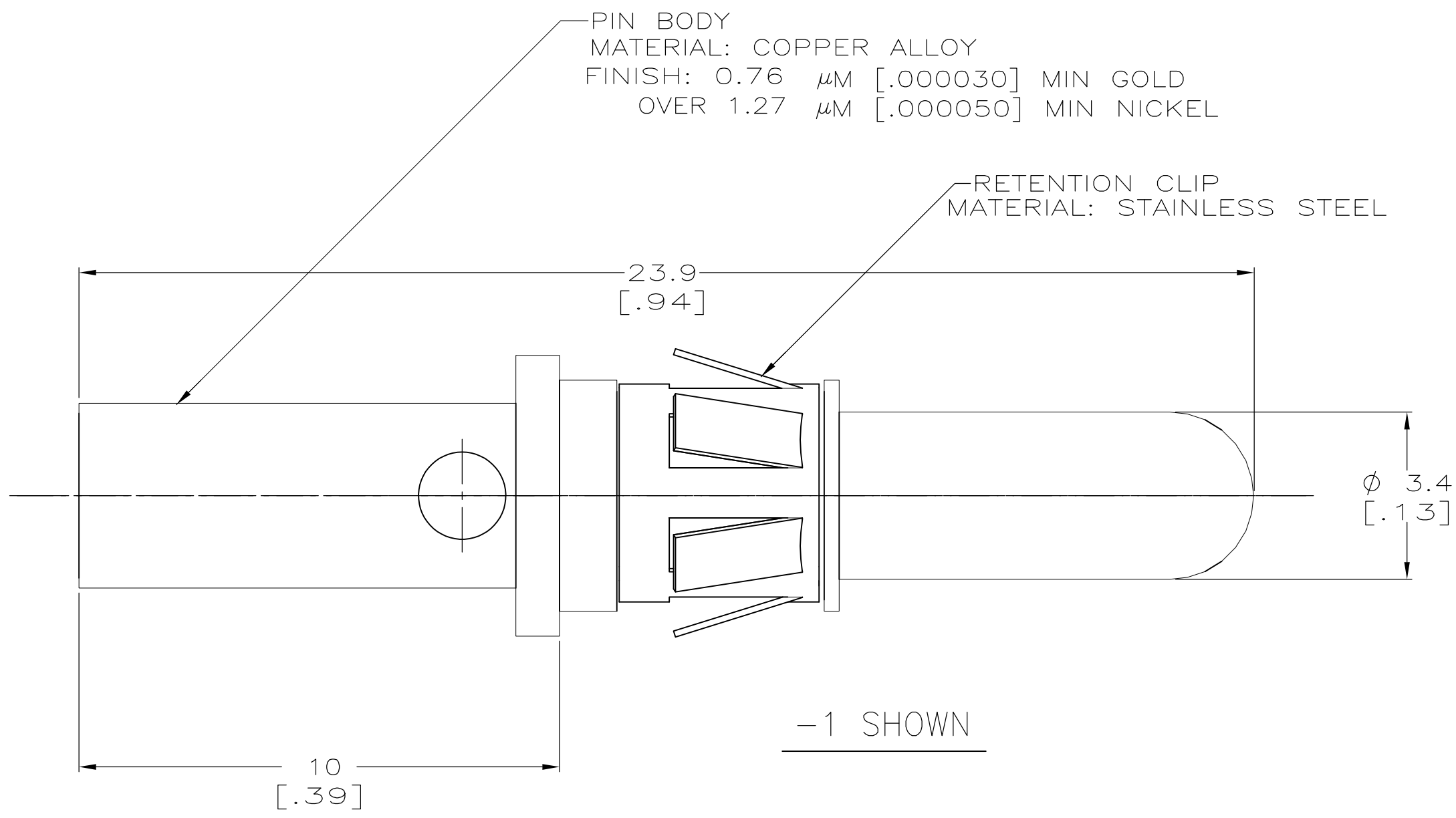
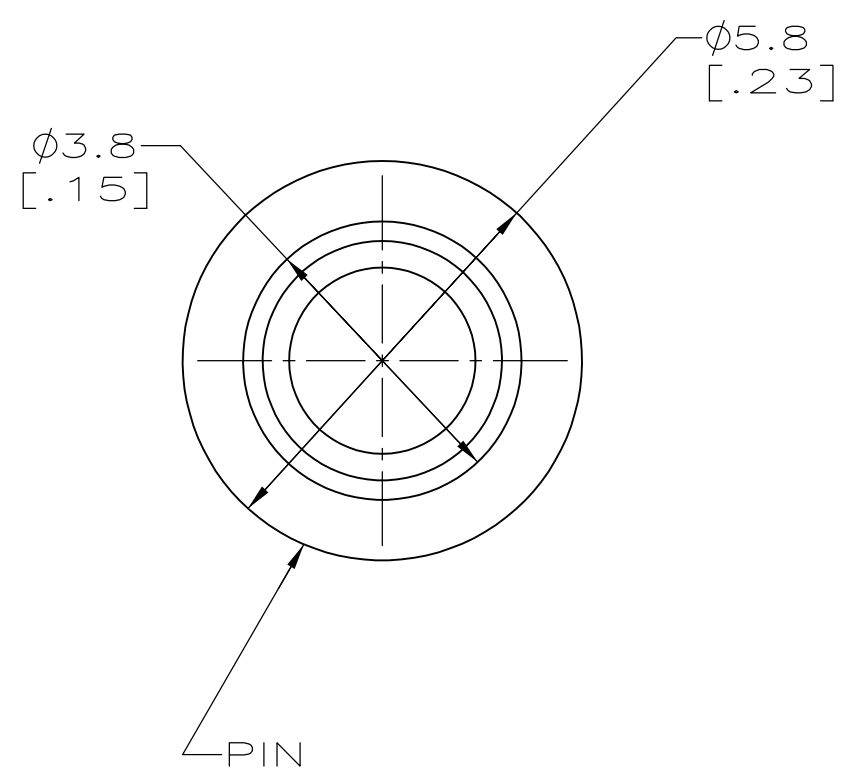
Email & Skype: info@chipsmall.com Web: www.chipsmall.com

Address: A1208, Overseas Decoration Building, #122 Zhenhua RD., Futian, Shenzhen, China



LOC		DIST		REVISIONS			
P	F	ZONE	LTR	DESCRIPTION	DATE	APPD	
CH	11		C	ECN 95030204	02/MAR/95	CMS	
			C1	REVISED PER ECO-09-024717	04NOV09	AEG	

1. RETROFIT CONTACT FOR METRIMATE AND AMPLIMITE POWER CONTACT.
  2. WIRE BARREL WILL ACCEPT #12-14 AWG WIRE.
  3. MATES WITH AMP P/N 193535.
- △ OBSOLETE PARTS: OBSOLETE CIS STREAMLINING PER D.RENAUD/D.SINISI



△ OBSOLETE	WITHOUT RET. CLIP	193534-2
	WITH RET. CLIP	193534-1

DO NOT SCALE PRINT. UNLESS SPECIFIED DIMENSIONS IN mm [INCHES] TOLERANCES ON :		DR D. BABOW 06-23-92		AMP Incorporated Harrisburg, PA 17105-3608	
2 PLC DEC ± - 3 PLC DEC ± - ANGLES ± -		CHK S. SIEGRIST 07-07-92			
MATERIAL		APPD D. PETRIE 07-09-92		NAME	
FINISH		APPD P. GLASER 07-09-92		PIN ASSY, POWER 12-14 AWG	
APPLICATION SPEC		SIZE	CAGE CODE	DRAWING NO	
WEIGHT		C	00779	C-193534	
		SCALE	-	SHEET	1 OF 1

THIS DRAWING IS A CONTROLLED DOCUMENT FOR AMP INCORPORATED. IT IS SUBJECT TO CHANGE AND THE CONTROLLING ENGINEERING ORGANIZATION SHOULD BE CONTACTED FOR THE LATEST REVISION.