



Chipsmall Limited consists of a professional team with an average of over 10 year of expertise in the distribution of electronic components. Based in Hongkong, we have already established firm and mutual-benefit business relationships with customers from,Europe,America and south Asia,supplying obsolete and hard-to-find components to meet their specific needs.

With the principle of “Quality Parts,Customers Priority,Honest Operation,and Considerate Service”,our business mainly focus on the distribution of electronic components. Line cards we deal with include Microchip,ALPS,ROHM,Xilinx,Pulse,ON,Everlight and Freescale. Main products comprise IC,Modules,Potentiometer,IC Socket,Relay,Connector.Our parts cover such applications as commercial,industrial, and automotives areas.

We are looking forward to setting up business relationship with you and hope to provide you with the best service and solution. Let us make a better world for our industry!



## Contact us

Tel: +86-755-8981 8866 Fax: +86-755-8427 6832

Email & Skype: info@chipsmall.com Web: www.chipsmall.com

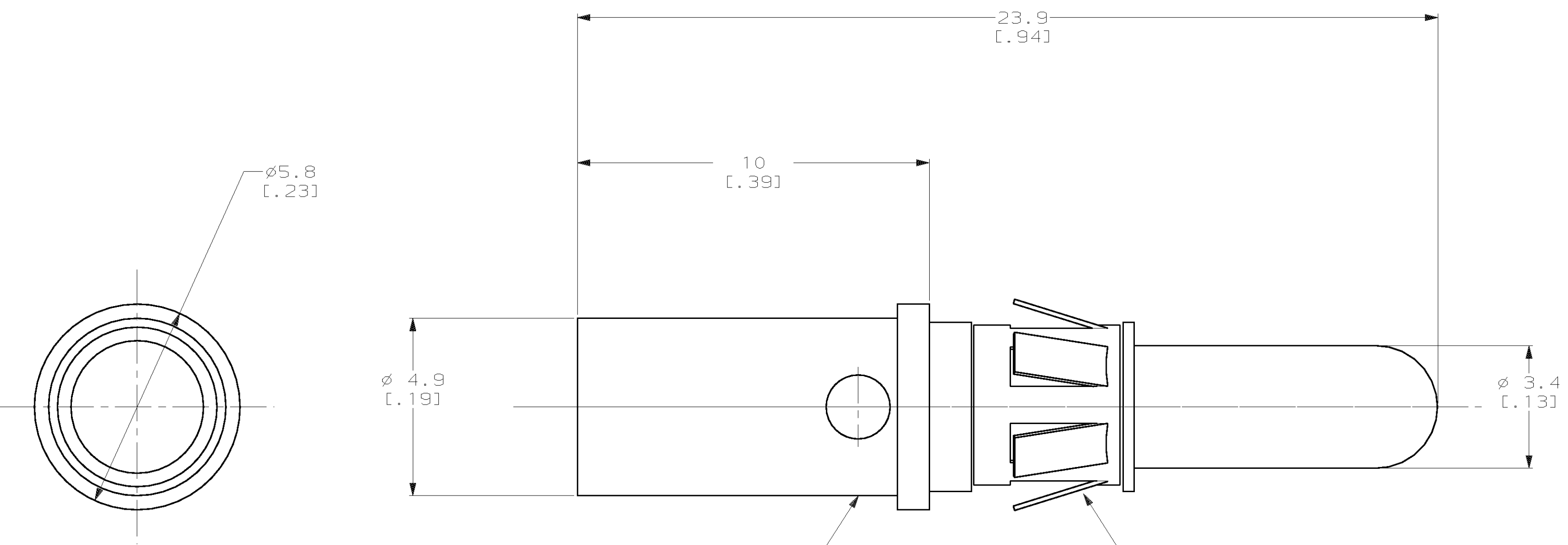
Address: A1208, Overseas Decoration Building, #122 Zhenhua RD., Futian, Shenzhen, China



THIS DRAWING IS UNPUBLISHED. RELEASED FOR PUBLICATION, 19 .  
© COPYRIGHT 19 BY AMP INCORPORATED. ALL INTERNATIONAL RIGHTS RESERVED.

LOC		DIST		P		F		ZONE		LTR		REVISIONS		DATE	APPD
CH	11											B	ECN 95030204	02/MAR/95	P.G.

1. RETROFIT CONTACT FOR METRIMATE AND AMPLIMITE POWER CONTACT.
2. WIRE BARREL WILL ACCEPT #10 AWG WIRE.
3. MATES WITH PN 193643-1.



PIN BODY  
MATERIAL: COPPER ALLOY  
FINISH: 0.76µM [.000030] MIN GOLD OVER  
1.27µM [.000050] MIN NICKEL

RETENTION CLIP  
MATERIAL: STAINLESS STEEL

193642-1  
PART NO

DO NOT SCALE PRINT. UNLESS SPECIFIED DIMENSIONS IN mm [INCHES] TOLERANCES ON : 2 PLC DEC ±0.5 [.02] 3 PLC DEC ±0.25 [.010] ANGLES ± -	DR D. WILSON 08-12-92	AMP Incorporated Harrisburg, PA 17105-3608
	CHK R. JAYNE 08-17-92	
MATERIAL -	APPD A. GRIFFIN 08-17-92	NAME
	APPD P. GLASER 08-17-92	PIN ASSY, POWER, #10 AWG
FINISH -	PRODUCT SPEC -	SIZE
	APPLICATION SPEC -	CAGE CODE
THIS DRAWING IS A CONTROLLED DOCUMENT FOR AMP INCORPORATED. IT IS SUBJECT TO CHANGE AND THE CONTROLLING ENGINEERING ORGANIZATION SHOULD BE CONTACTED FOR THE LATEST REVISION.	WEIGHT -	DRAWING NO
		SCALE 10:1
		SHEET 1 OF 1