



Chipsmall Limited consists of a professional team with an average of over 10 year of expertise in the distribution of electronic components. Based in Hongkong, we have already established firm and mutual-benefit business relationships with customers from,Europe,America and south Asia,supplying obsolete and hard-to-find components to meet their specific needs.

With the principle of “Quality Parts,Customers Priority,Honest Operation,and Considerate Service”,our business mainly focus on the distribution of electronic components. Line cards we deal with include Microchip,ALPS,ROHM,Xilinx,Pulse,ON,Everlight and Freescale. Main products comprise IC,Modules,Potentiometer,IC Socket,Relay,Connector.Our parts cover such applications as commercial,industrial, and automotives areas.

We are looking forward to setting up business relationship with you and hope to provide you with the best service and solution. Let us make a better world for our industry!



Contact us

Tel: +86-755-8981 8866 Fax: +86-755-8427 6832

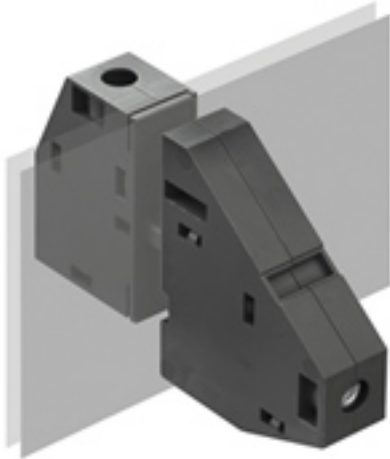
Email & Skype: info@chipsmall.com Web: www.chipsmall.com

Address: A1208, Overseas Decoration Building, #122 Zhenhua RD., Futian, Shenzhen, China



OMNIMATE Power - series WGK WGKV 25 gn/ye

Weidmüller Interface GmbH & Co. KG
 Klingenbergstraße 16
 D-32758 Detmold
 Germany
 Fon: +49 5231 14-0
 Fax: +49 5231 14-292083
 www.weidmueller.com



The WGK finger-proof-insulated enclosures are especially suitable as industrial electronic enclosures for frequency converters, power supplies or filter components which offer a convenient and reliable form of connection internally and externally.

General ordering data

Order No.	1936720000
Type	WGKV 25 gn/ye
Version	OMNIMATE Power - series WGK, Feedthrough terminal, Rated cross-section: 25 mm ² , Screw connection, green / yellow, Direct mounting, Feedthrough (bushing)
GTIN (EAN)	4032248664597
Qty.	25 pc(s).

OMNIMATE Power - series WGK WGKV 25 gn/ye

Weidmüller Interface GmbH & Co. KG
Klingenbergstraße 16
D-32758 Detmold
Germany
Fon: +49 5231 14-0
Fax: +49 5231 14-292083
www.weidmueller.com

Technical data

Dimensions and weights

Length	75.75 mm	Width	15.1 mm
Height	54 mm	Height of lowest version	54 mm
Net weight	67.08 g		

2 clampable conductors with identical cross-section

Wire connection cross section AWG, max.	AWG 3	Wire connection cross section AWG, min.	AWG 10
---	-------	---	--------

Additional connection

Blade size	1.2 x 6.5 mm	Clamping screw	M 6
Rated current	101 A	Tightening torque, max.	4.5 Nm
Tightening torque, min.	4 Nm		

Conductors suitable for clamping

Cross-section for connected conductor, finely stranded with wire-end ferrules and plastic collars DIN 46228/4, rated connection, min.	10 mm ²	Twin wire-end ferrules, max.	10 mm ²
Twin wire-end ferrules, min.	2.5 mm ²	Wire connection cross section AWG, max.	AWG 3
Wire connection cross section AWG, min.	AWG 10	Wire connection cross section, finely stranded with wire-end ferrules DIN 46228/1, rated connection, max.	25 mm ²
Wire connection cross section, finely stranded with wire-end ferrules DIN 46228/1, rated connection, min.	4 mm ²	Wire connection cross section, finely stranded, max.	25 mm ²
Wire connection cross section, solid core max. rated connection	16 mm ²	Wire connection cross section, solid core, max. rated connection	6 mm ²
Wire connection cross section, stranded, rated connection, max.	35 mm ²	Wire connection cross section, stranded, rated connection, min.	10 mm ²
Wire connection cross-section, finely stranded with wire-end ferrules and plastic collars DIN 46228/4, rated connection, max.	25 mm ²	Stripping length	18 mm

Rated data to IEC

Current at maximum wires	125 A	Pollution severity	3
Rated cross-section	25 mm ²	Rated current	101 A
Rated impulse withstand voltage	6 kV	Rated voltage	690 V
Standards	IEC 60947-7-1		

Technical data

Blade size	1.2 x 6.5 mm	Clamping range, rated connection, max.	35 mm ²
Clamping range, rated connection, min.	5.26 mm ²	Clamping screw	M 6
Gauge to IEC 60947-1	B8	Number of connections	2
Stripping length, rated connection	18 mm	Tightening torque, max.	4.5 Nm
Tightening torque, min.	4 Nm		

**OMNIMATE Power - series WGK
WGKV 25 gn/ye**

Weidmüller Interface GmbH & Co. KG
Klingenbergstraße 16
D-32758 Detmold
Germany
Fon: +49 5231 14-0
Fax: +49 5231 14-292083
www.weidmueller.com

Technical data

Technical specification

Colour of insulating material	green / yellow	Connection direction	Bottom
Installation advice	Direct mounting, Feed-through (bushing)	Product family	OMNIMATE Power - series WGK
Type of mounting	Direct mounting		

CSA ratings data

Certificate No. (CSA)	200039-1830694	Wire cross section max. (CSA)	3 AWG
Wire cross section min. (CSA)	8 AWG		

UL ratings data

Certificate No. (cURus)	E60693VOL1SEC84	Conductor size Factory wiring max. (cURus)	3 AWG
Conductor size Factory wiring min. (cURus)	10 AWG	Conductor size Field wiring max. (cURus)	3 AWG
Conductor size Field wiring min. (cURus)	10 AWG		

Material data

Material	Wemid	Colour	Green, Yellow
UL 94 flammability rating	V-0		

Classifications

ETIM 3.0	EC001283	UNSPSC	30-21-18-11
eClass 5.1	27-14-11-34	eClass 6.2	27-14-11-34
eClass 7.1	27-14-11-34		

Notes

Notes

Approvals

Approvals



ROHS Conform

**OMNIMATE Power - series WGK
WGKV 25 gn/ye**

Weidmüller Interface GmbH & Co. KG
Klingenbergstraße 16
D-32758 Detmold
Germany
Fon: +49 5231 14-0
Fax: +49 5231 14-292083
www.weidmueller.com

Drawings