



Chipsmall Limited consists of a professional team with an average of over 10 year of expertise in the distribution of electronic components. Based in Hongkong, we have already established firm and mutual-benefit business relationships with customers from,Europe,America and south Asia,supplying obsolete and hard-to-find components to meet their specific needs.

With the principle of “Quality Parts,Customers Priority,Honest Operation,and Considerate Service”,our business mainly focus on the distribution of electronic components. Line cards we deal with include Microchip,ALPS,ROHM,Xilinx,Pulse,ON,Everlight and Freescale. Main products comprise IC,Modules,Potentiometer,IC Socket,Relay,Connector.Our parts cover such applications as commercial,industrial, and automotives areas.

We are looking forward to setting up business relationship with you and hope to provide you with the best service and solution. Let us make a better world for our industry!



## Contact us

Tel: +86-755-8981 8866 Fax: +86-755-8427 6832

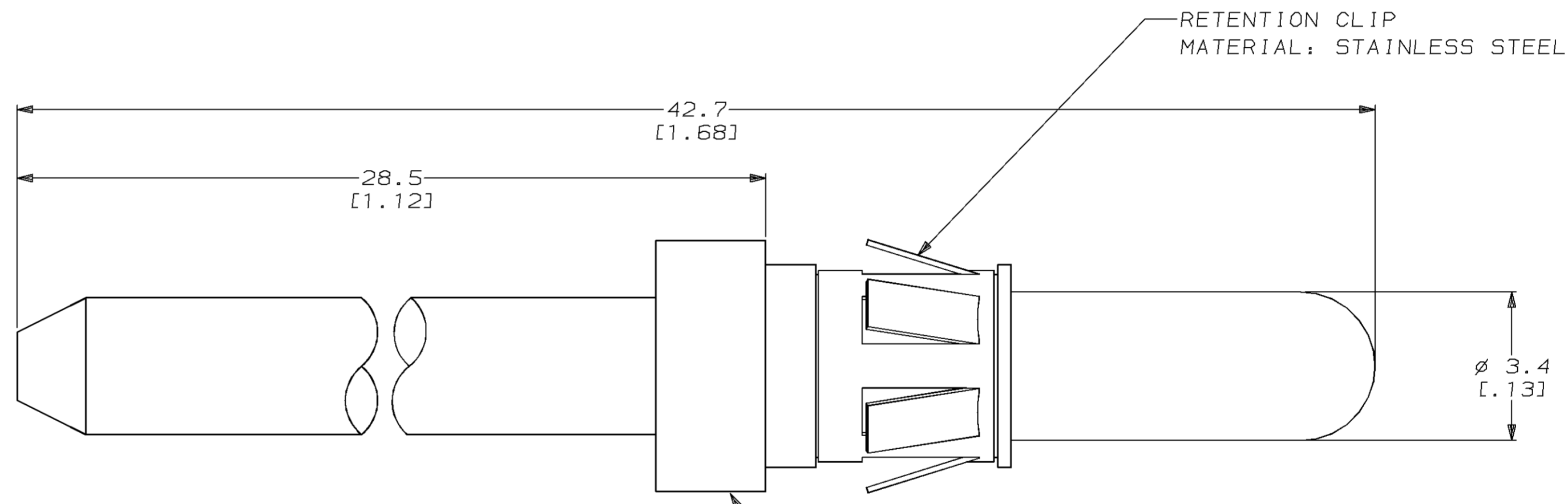
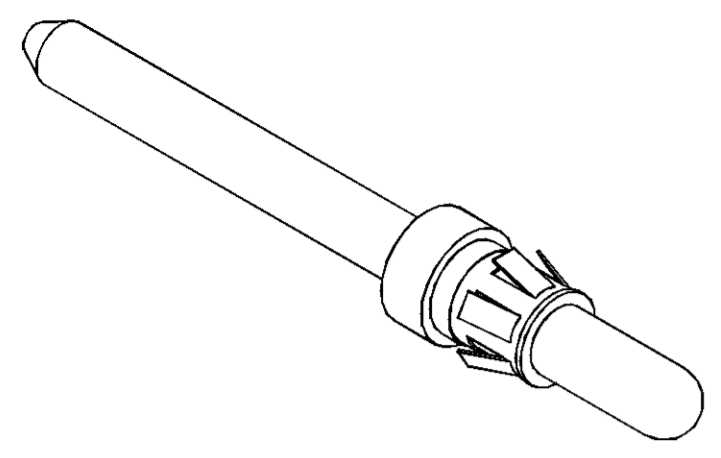
Email & Skype: info@chipsmall.com Web: www.chipsmall.com

Address: A1208, Overseas Decoration Building, #122 Zhenhua RD., Futian, Shenzhen, China



LOC	DIST	P	F	ZONE	LTR	REVISIONS	DATE	APPD
CH	11				0		-	-
						DESCRIPTION		

1. MATES WITH AMP P/N 193813-1.



Ø5.46 [0.215]  
 Ø3.18 [0.125]

193814

193814-1  
 PART NO

DO NOT SCALE PRINT. UNLESS SPECIFIED DIMENSIONS IN mm [INCHES] TOLERANCES ON : 2 PLC DEC #0.5[.02] 3 PLC DEC #.25[.010] ANGLES ± -	DR 07-07-93 D.BABOW	AMP Incorporated Harrisburg, PA 17105-3608		
	CHK 11-30-93 JMT			NAME
MATERIAL -	APPD 11-30-93 SRS	PIN ASSY, SOLDER TAIL		
FINISH -	APPD 11-30-93 PRG			
THIS DRAWING IS A CONTROLLED DOCUMENT FOR AMP INCORPORATED. IT IS SUBJECT TO CHANGE AND THE CONTROLLING ENGINEERING ORGANIZATION SHOULD BE CONTACTED FOR THE LATEST REVISION.	PRODUCT SPEC -	SIZE	CAGE CODE	DRAWING NO
	APPLICATION SPEC -	SCALE	NONE	00779
WEIGHT -				SHEET 1 OF 1