



Chipsmall Limited consists of a professional team with an average of over 10 year of expertise in the distribution of electronic components. Based in Hongkong, we have already established firm and mutual-benefit business relationships with customers from,Europe,America and south Asia,supplying obsolete and hard-to-find components to meet their specific needs.

With the principle of “Quality Parts,Customers Priority,Honest Operation,and Considerate Service”,our business mainly focus on the distribution of electronic components. Line cards we deal with include Microchip,ALPS,ROHM,Xilinx,Pulse,ON,Everlight and Freescale. Main products comprise IC,Modules,Potentiometer,IC Socket,Relay,Connector.Our parts cover such applications as commercial,industrial, and automotives areas.

We are looking forward to setting up business relationship with you and hope to provide you with the best service and solution. Let us make a better world for our industry!



Contact us

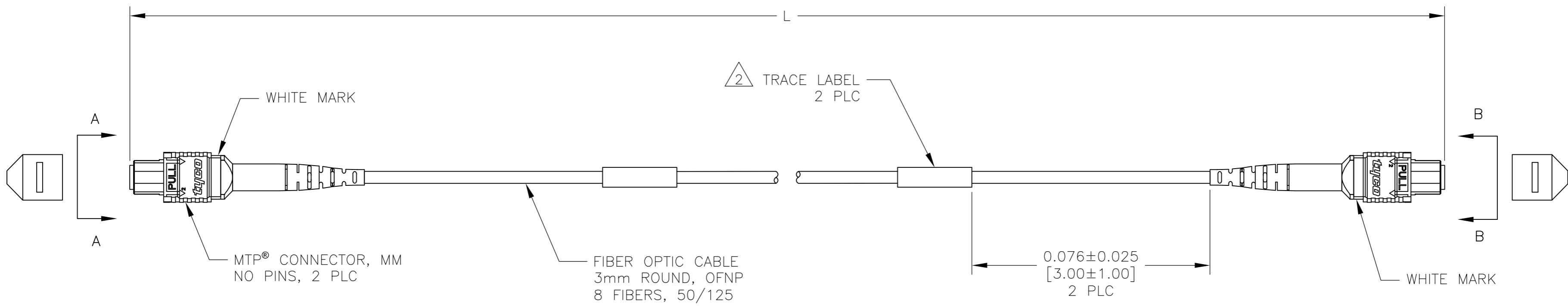
Tel: +86-755-8981 8866 Fax: +86-755-8427 6832

Email & Skype: info@chipsmall.com Web: www.chipsmall.com

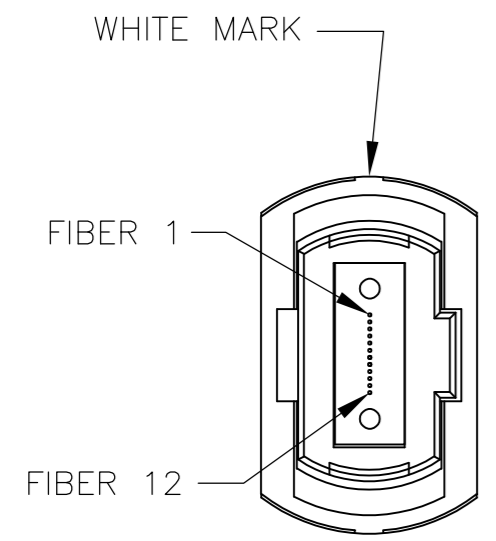
Address: A1208, Overseas Decoration Building, #122 Zhenhua RD., Futian, Shenzhen, China



LOC	DIST	REVISIONS			
P	LTR	DESCRIPTION	DATE	DWN	APVD
CE	00	E	ECR-14-008576	24SEP2014	HZ RZ



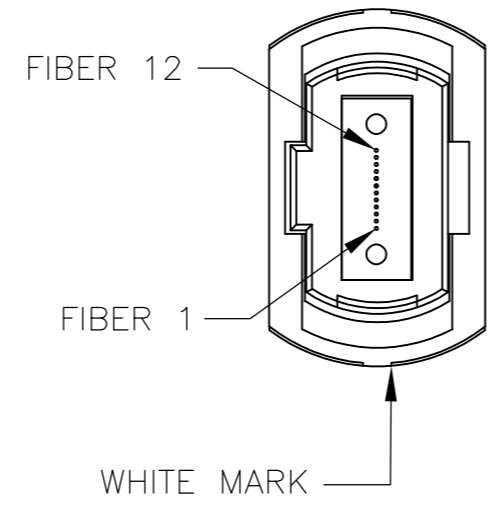
REVERSE FIBER PATH



VIEW A-A
NOT TO SCALE

MTP® LEFT FIBER #		MTP® RIGHT FIBER #
1	↔	12
2	↔	11
3	↔	10
4	↔	9
5	NOT CONNECTED	8
6	NOT CONNECTED	7
7	NOT CONNECTED	6
8	NOT CONNECTED	5
9	↔	4
10	↔	3
11	↔	2
12	↔	1

MTP® CONNECTOR FIBER PATH



VIEW B-B
NOT TO SCALE

NOTES:

- 1 MAXIMUM CONNECTOR INSERTION LOSS (850nm):
0.5dB + 3.5dB/km. SEE TABLE.
FIBER POSITIONS 5, 6, 7, AND 8
ARE INACTIVE AND NOT TESTED.
- 2 STANDARD TRACE LABEL TO BE APPLIED AT BOTH ENDS.
- 3. PRODUCT AND PROCESSING MUST MEET REQUIREMENTS
OF TEC-138-702.

THIS DRAWING IS A CONTROLLED DOCUMENT.		DWN J.W.DAVIS 30AUG07	TE Connectivity	
DIMENSIONS: METERS [INCHES]		CHK J.BARRY 30AUG07		
TOLERANCES UNLESS OTHERWISE SPECIFIED:		APVD J.BARRY 30AUG07	NAME CABLE ASSEMBLY, FIBER OPTIC, 50/125um 3mm ROUND CABLE, OFNP, MTP® w/NO PINS, REVERSED PATH	
0 PLC ± -		PRODUCT SPEC	SIZE CAGE CODE DRAWING NO RESTRICTED TO	
1 PLC ± -		APPLICATION SPEC	A2 00779 C-1938208	
2 PLC ± -		WEIGHT	SCALE NTS SHEET 1 OF 2 REV E	
3 PLC ± -		MATERIAL	CUSTOMER DRAWING	
4 PLC ± -				
ANGLES ± -				
FINISH -				

THIS DRAWING IS UNPUBLISHED. RELEASED FOR PUBLICATION
 © COPYRIGHT - By - ALL RIGHTS RESERVED.

LOC	DIST	REVISIONS					
		P	LTR	DESCRIPTION	DATE	DWN	APVD
CE	16	-	-	SEE SHEET 1	-	-	-

0.85	100.000±1.000	[3937.00±39.37]	9-1938208-9
0.50	1.500±0.050	[59.054±1.97]	8-1938208-0
0.68	50.000±0.500	[1968.5±19.69]	5-1938208-0
0.64	40.000±0.400	[1574.80±15.75]	4-1938208-0
0.64	39.000±0.390	[1535.43±15.35]	3-1938208-9
0.63	38.000±0.380	[1496.06±14.96]	3-1938208-8
0.63	37.000±0.370	[1456.69±14.57]	3-1938208-7
0.63	36.000±0.360	[1417.32±14.17]	3-1938208-6
0.62	35.000±0.350	[1377.95±13.78]	3-1938208-5
0.62	34.000±0.340	[1338.58±13.39]	3-1938208-4
0.62	33.000±0.330	[1299.21±12.99]	3-1938208-3
0.61	32.000±0.320	[1259.84±12.60]	3-1938208-2
0.61	31.000±0.310	[1220.47±12.20]	3-1938208-1
0.61	30.000±0.300	[1181.10±11.81]	3-1938208-0
0.60	29.000±0.290	[1141.73±11.42]	2-1938208-9
0.60	28.000±0.280	[1102.36±11.02]	2-1938208-8
0.59	27.000±0.270	[1062.99±10.63]	2-1938208-7
0.59	26.000±0.260	[1023.62±10.24]	2-1938208-6
0.59	25.000±0.250	[984.25±9.84]	2-1938208-5
0.58	24.000±0.240	[944.88±9.45]	2-1938208-4
0.58	23.000±0.230	[905.51±9.06]	2-1938208-3
0.58	22.000±0.220	[866.14±8.66]	2-1938208-2
0.57	21.000±0.210	[826.77±8.27]	2-1938208-1
0.57	20.000±0.200	[787.40±7.87]	2-1938208-0
0.57	19.000±0.190	[748.03±7.48]	1-1938208-9
0.56	18.000±0.180	[708.66±7.09]	1-1938208-8
0.56	17.000±0.170	[669.29±6.69]	1-1938208-7
0.56	16.000±0.160	[629.92±6.30]	1-1938208-6
0.55	15.000±0.150	[590.55±5.91]	1-1938208-5
0.55	14.000±0.150	[551.18±5.91]	1-1938208-4
0.55	13.000±0.150	[511.81±5.91]	1-1938208-3
0.54	12.000±0.150	[472.44±5.91]	1-1938208-2
0.54	11.000±0.150	[433.07±5.91]	1-1938208-1
0.54	10.000±0.150	[393.70±5.91]	1-1938208-0
0.53	9.000±0.150	[354.33±5.91]	1938208-9
0.53	8.000±0.080	[314.96±3.15]	1938208-8
0.52	7.000±0.080	[275.59±3.15]	1938208-7
0.52	6.000±0.080	[236.22±3.15]	1938208-6
0.52	5.000±0.080	[196.85±3.15]	1938208-5
0.51	4.000±0.080	[157.48±3.15]	1938208-4
0.51	3.000±0.050	[118.11±1.97]	1938208-3
0.51	2.000±0.050	[78.74±1.97]	1938208-2
0.50	1.000±0.050	[39.37±1.97]	1938208-1

MAX IL (dB)	L METERS [INCHES]	PART NUMBER
1		

THIS DRAWING IS A CONTROLLED DOCUMENT.		DWN J.W.DAVIS 30AUG07	TE TE Connectivity	
DIMENSIONS: METERS [INCHES]		CHK J.BARRY 30AUG07		
TOLERANCES UNLESS OTHERWISE SPECIFIED:		APVD J.BARRY 30AUG07	NAME CABLE ASSEMBLY, FIBER OPTIC, 50/125um 3mm ROUND CABLE, OFNP, MTP® W/NO PINS, REVERSED PATH	
0 PLC ± - 1 PLC ± - 2 PLC ± - 3 PLC ± - 4 PLC ± - ANGLES ± -		PRODUCT SPEC -	RESTRICTED TO -	
MATERIAL -		APPLICATION SPEC -	SIZE A2	CAGE CODE 00779
FINISH -		WEIGHT -	DRAWING NO 1938208	
		CUSTOMER DRAWING		SCALE NTS
		SHEET 2 OF 2		REV E