



Chipsmall Limited consists of a professional team with an average of over 10 year of expertise in the distribution of electronic components. Based in Hongkong, we have already established firm and mutual-benefit business relationships with customers from,Europe,America and south Asia,supplying obsolete and hard-to-find components to meet their specific needs.

With the principle of “Quality Parts,Customers Priority,Honest Operation,and Considerate Service”,our business mainly focus on the distribution of electronic components. Line cards we deal with include Microchip,ALPS,ROHM,Xilinx,Pulse,ON,Everlight and Freescale. Main products comprise IC,Modules,Potentiometer,IC Socket,Relay,Connector.Our parts cover such applications as commercial,industrial, and automotives areas.

We are looking forward to setting up business relationship with you and hope to provide you with the best service and solution. Let us make a better world for our industry!



Contact us

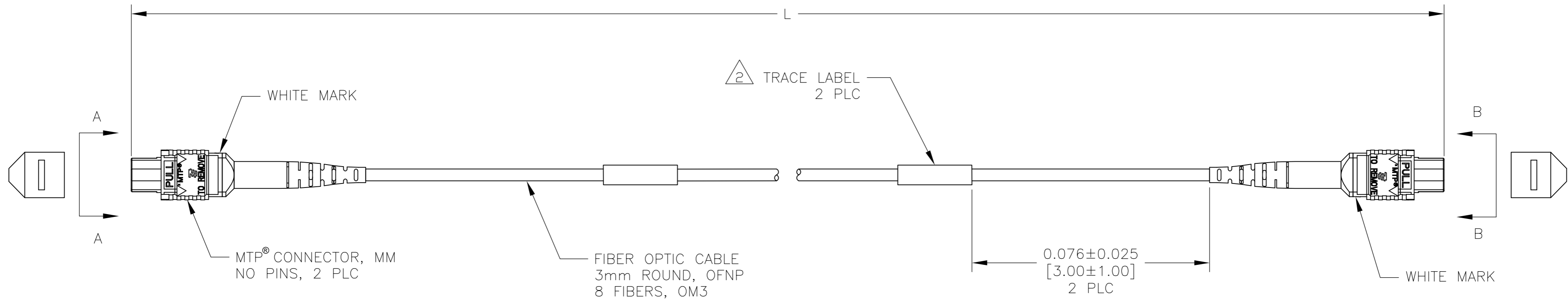
Tel: +86-755-8981 8866 Fax: +86-755-8427 6832

Email & Skype: info@chipsmall.com Web: www.chipsmall.com

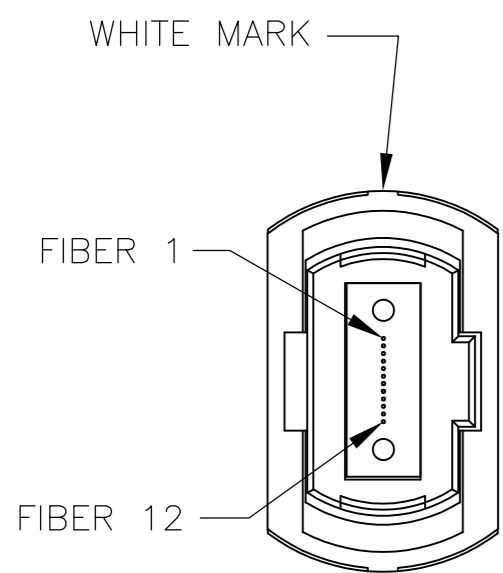
Address: A1208, Overseas Decoration Building, #122 Zhenhua RD., Futian, Shenzhen, China



LOC	DIST	REVISIONS			
P	LTR	DESCRIPTION	DATE	DWN	APVD
CE	16				
D		ECR-14-008576	24SEP2014	HZ	RZ



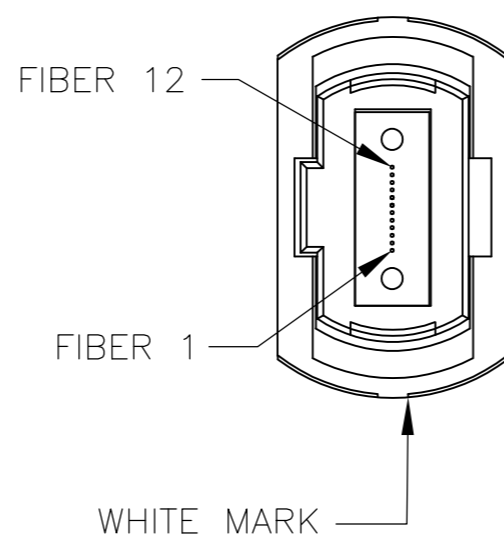
REVERSE FIBER PATH



VIEW A-A
NOT TO SCALE

MTP® LEFT FIBER #		MTP® RIGHT FIBER #
1	↔	12
2	↔	11
3	↔	10
4	↔	9
5	NOT CONNECTED	8
6	NOT CONNECTED	7
7	NOT CONNECTED	6
8	NOT CONNECTED	5
9	↔	4
10	↔	3
11	↔	2
12	↔	1

MTP® CONNECTOR FIBER PATH



VIEW B-B
NOT TO SCALE

NOTES:

- 1 MAXIMUM CONNECTOR INSERTION LOSS (850nm):
0.5dB + 3.5dB/km. SEE TABLE.
FIBER POSITIONS 5, 6, 7, AND 8
ARE INACTIVE AND NOT TESTED.
- 2 STANDARD TRACE LABEL TO BE APPLIED AT BOTH ENDS.
- 3. PRODUCT AND PROCESSING MUST MEET REQUIREMENTS
OF TEC-138-702.

THIS DRAWING IS A CONTROLLED DOCUMENT.		DWN K.GLATFELTER 15JAN2009	TE Connectivity																						
DIMENSIONS: METERS [INCHES]		CHK J.BARRY 15JAN2009																							
TOLERANCES UNLESS OTHERWISE SPECIFIED:		APVD J.BARRY 15JAN2009	NAME CABLE ASSEMBLY, FIBER OPTIC, QSFP, OM3 3mm ROUND CABLE, OFNP, MTP®W/NO PINS, REVERSED PATH																						
<table border="1"> <tr><td>0 PLC</td><td>±</td><td>-</td></tr> <tr><td>1 PLC</td><td>±</td><td>-</td></tr> <tr><td>2 PLC</td><td>±</td><td>-</td></tr> <tr><td>3 PLC</td><td>±</td><td>-</td></tr> <tr><td>4 PLC</td><td>±</td><td>-</td></tr> <tr><td>ANGLES</td><td>±</td><td>-</td></tr> <tr><td>FINISH</td><td></td><td></td></tr> </table>		0 PLC	±	-	1 PLC	±	-	2 PLC	±	-	3 PLC	±	-	4 PLC	±	-	ANGLES	±	-	FINISH			PRODUCT SPEC -	SIZE A2	CAGE CODE 00779
0 PLC	±	-																							
1 PLC	±	-																							
2 PLC	±	-																							
3 PLC	±	-																							
4 PLC	±	-																							
ANGLES	±	-																							
FINISH																									
MATERIAL -		WEIGHT -	DRAWING NO C=1938323	RESTRICTED TO -																					
CUSTOMER DRAWING			SCALE NTS	SHEET 1 OF 2																					

THIS DRAWING IS UNPUBLISHED. RELEASED FOR PUBLICATION
 © COPYRIGHT - By - ALL RIGHTS RESERVED.

LOC	DIST	REVISIONS					
		P	LTR	DESCRIPTION	DATE	DWN	APVD
CE	16	-	-	SEE SHEET 1	-	-	-

1.20	200.000±2.000	[7874.0±78.7]	9-1938323-7
0.85	100.000±1.000	[3937.0±39.4]	9-1938323-9
1.55	300.000±3.000	[11811.0±118.1]	9-1938323-8
0.75	70.000±0.700	[2756.0±27.6]	7-1938323-0
0.68	50.000±0.500	[1968.5±19.69]	5-1938323-0
0.64	40.000±0.400	[1574.80±15.75]	4-1938323-0
0.64	39.000±0.390	[1535.43±15.35]	3-1938323-9
0.63	38.000±0.380	[1496.06±14.96]	3-1938323-8
0.63	37.000±0.370	[1456.69±14.57]	3-1938323-7
0.63	36.000±0.360	[1417.32±14.17]	3-1938323-6
0.62	35.000±0.350	[1377.95±13.78]	3-1938323-5
0.62	34.000±0.340	[1338.58±13.39]	3-1938323-4
0.62	33.000±0.330	[1299.21±12.99]	3-1938323-3
0.61	32.000±0.320	[1259.84±12.60]	3-1938323-2
0.61	31.000±0.310	[1220.47±12.20]	3-1938323-1
0.61	30.000±0.300	[1181.10±11.81]	3-1938323-0
0.60	29.000±0.290	[1141.73±11.42]	2-1938323-9
0.60	28.000±0.280	[1102.36±11.02]	2-1938323-8
0.59	27.000±0.270	[1062.99±10.63]	2-1938323-7
0.59	26.000±0.260	[1023.62±10.24]	2-1938323-6
0.59	25.000±0.250	[984.25±9.84]	2-1938323-5
0.58	24.000±0.240	[944.88±9.45]	2-1938323-4
0.58	23.000±0.230	[905.51±9.06]	2-1938323-3
0.58	22.000±0.220	[866.14±8.66]	2-1938323-2
0.57	21.000±0.210	[826.77±8.27]	2-1938323-1
0.57	20.000±0.200	[787.40±7.87]	2-1938323-0
0.57	19.000±0.190	[748.03±7.48]	1-1938323-9
0.56	18.000±0.180	[708.66±7.09]	1-1938323-8
0.56	17.000±0.170	[669.29±6.69]	1-1938323-7
0.56	16.000±0.160	[629.92±6.30]	1-1938323-6
0.55	15.000±0.150	[590.55±5.91]	1-1938323-5
0.55	14.000±0.150	[551.18±5.91]	1-1938323-4
0.55	13.000±0.150	[511.81±5.91]	1-1938323-3
0.54	12.000±0.150	[472.44±5.91]	1-1938323-2
0.54	11.000±0.150	[433.07±5.91]	1-1938323-1
0.54	10.000±0.150	[393.70±5.91]	1-1938323-0
0.53	9.000±0.150	[354.33±5.91]	1938323-9
0.53	8.000±0.080	[314.96±3.15]	1938323-8
0.52	7.000±0.080	[275.59±3.15]	1938323-7
0.52	6.000±0.080	[236.22±3.15]	1938323-6
0.52	5.000±0.080	[196.85±3.15]	1938323-5
0.51	4.000±0.080	[157.48±3.15]	1938323-4
0.51	3.000±0.050	[118.11±1.97]	1938323-3
0.51	2.000±0.050	[78.74±1.97]	1938323-2
0.50	1.000±0.050	[39.37±1.97]	1938323-1

MAX IL (dB)	L METERS [INCHES]	PART NUMBER
-------------	-------------------	-------------

THIS DRAWING IS A CONTROLLED DOCUMENT.		DWN K.GLATFELTER 15JAN2009	STE TE Connectivity
DIMENSIONS: METERS [INCHES]		CHK J.BARRY 15JAN2009	
TOLERANCES UNLESS OTHERWISE SPECIFIED:		APVD J.BARRY 15JAN2009	NAME CABLE ASSEMBLY, FIBER OPTIC, QSFP, OM3 3mm ROUND CABLE, OFNP, MTP®W/NO PINS, REVERSED PATH
0 PLC ± - 1 PLC ± - 2 PLC ± - 3 PLC ± - 4 PLC ± - ANGLES ± -		PRODUCT SPEC APPLICATION SPEC	
MATERIAL	FINISH	WEIGHT	SIZE A2
			CAGE CODE 00779
			DRAWING NO C=1938323
			RESTRICTED TO
			SCALE NTS
			SHEET 2 OF 2
			REV D