



Chipsmall Limited consists of a professional team with an average of over 10 year of expertise in the distribution of electronic components. Based in Hongkong, we have already established firm and mutual-benefit business relationships with customers from,Europe,America and south Asia,supplying obsolete and hard-to-find components to meet their specific needs.

With the principle of “Quality Parts,Customers Priority,Honest Operation,and Considerate Service”,our business mainly focus on the distribution of electronic components. Line cards we deal with include Microchip,ALPS,ROHM,Xilinx,Pulse,ON,Everlight and Freescale. Main products comprise IC,Modules,Potentiometer,IC Socket,Relay,Connector.Our parts cover such applications as commercial,industrial, and automotives areas.

We are looking forward to setting up business relationship with you and hope to provide you with the best service and solution. Let us make a better world for our industry!



## Contact us

Tel: +86-755-8981 8866 Fax: +86-755-8427 6832

Email & Skype: info@chipsmall.com Web: www.chipsmall.com

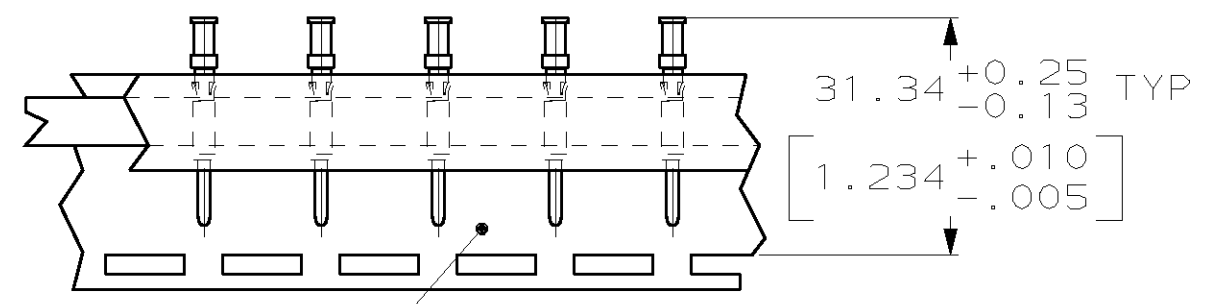
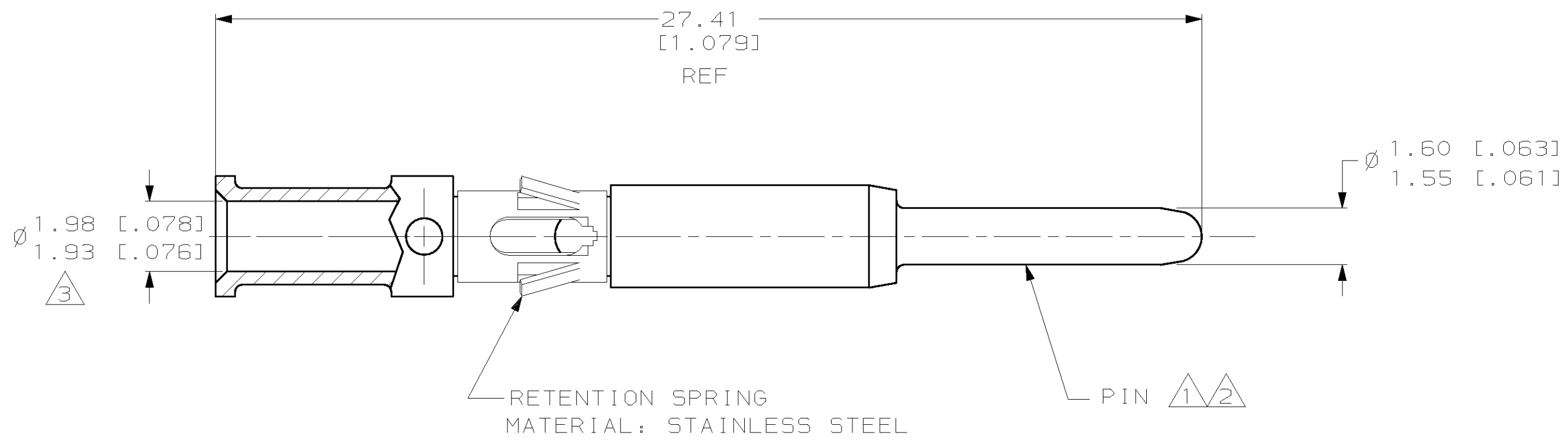
Address: A1208, Overseas Decoration Building, #122 Zhenhua RD., Futian, Shenzhen, China



THIS DRAWING IS UNPUBLISHED. RELEASED FOR PUBLICATION, 19 .  
 © COPYRIGHT 19 BY AMP INCORPORATED. ALL RIGHTS RESERVED.

LOC	DIST	REVISIONS			
P	LTR	DESCRIPTION	DATE	DWN	APVD
CH	11	D	ADDED -2	21/NOV/95	RNP PG
		E	MATERIAL $\Delta$ FINISH $\Delta$	25/JUL/96	RNP PRG
		F	EC OB20-0724-97	10/JUN/97	RNP RAR
		G	EC OB20-0852-98	09/JUL/98	RNP RAR

- $\Delta$ 1 MATERIAL: COPPER ALLOY
- $\Delta$ 2 FINISH: 200  $\mu$ INCH MIN SILVER OVER 50  $\mu$ INCH MIN. NICKEL
- $\Delta$ 3 WIRE BARREL WILL ACCEPT #14AWG WIRE
- $\Delta$ 4 WHEN ORDERING CONTACT ASSEMBLIES ON TAPE, ORDER BY PART NUMBER PLUS THE PACKAGING CODE AS FOLLOWS:  
 A. 5000 PARTS PER REEL ADD PACKAGING CODE: 5MREEL  
 I.E. ORDER # 193844-2, 5MREEL



MYLAR TAPE  
 TAPE MTG DETAIL  $\Delta$ 4  
 193844-2 ONLY

$\Delta$ 4	TAPE MTG (SEE DETAIL)	193844-2
	STANDARD	193844-1
	PACKAGING TYPE	PART NO

THIS DRAWING IS A CONTROLLED DOCUMENT FOR AMP INCORPORATED. IT IS SUBJECT TO CHANGE AND THE CONTROLLING ENGINEERING ORGANIZATION SHOULD BE CONTACTED FOR THE LATEST REVISION.		DWN	14/OCT/94	<b>AMP</b> AMP Incorporated Harrisburg, PA 17105-3608		
		CHK	CRAIG M. SVOBODA 16/MAY/94			
DIMENSIONS: mm [in]		APVD	16/MAY/94	NAME PIN, $\phi$ .062, #14 AWG HIGH CURRENT TYPE II/III+		
TOLERANCES UNLESS OTHERWISE SPECIFIED: 0 PLC $\pm$ - 1 PLC $\pm$ .3 [.01] 2 PLC $\pm$ .13 [.005] 3 PLC $\pm$ - 4 PLC $\pm$ - ANGLES $\pm$ - FINISH		PRODUCT SPEC	-			
MATERIAL	$\Delta$ 1	APPLICATION SPEC	-	SIZE	CAGE CODE	DRAWING NO
		WEIGHT	-	A3	00779	C=193844
		CUSTOMER DRAWING		SCALE	SHEET	1 OF 1
						REV G