



Chipsmall Limited consists of a professional team with an average of over 10 year of expertise in the distribution of electronic components. Based in Hongkong, we have already established firm and mutual-benefit business relationships with customers from,Europe,America and south Asia,supplying obsolete and hard-to-find components to meet their specific needs.

With the principle of “Quality Parts,Customers Priority,Honest Operation,and Considerate Service”,our business mainly focus on the distribution of electronic components. Line cards we deal with include Microchip,ALPS,ROHM,Xilinx,Pulse,ON,Everlight and Freescale. Main products comprise IC,Modules,Potentiometer,IC Socket,Relay,Connector.Our parts cover such applications as commercial,industrial, and automotives areas.

We are looking forward to setting up business relationship with you and hope to provide you with the best service and solution. Let us make a better world for our industry!



Contact us

Tel: +86-755-8981 8866 Fax: +86-755-8427 6832

Email & Skype: info@chipsmall.com Web: www.chipsmall.com

Address: A1208, Overseas Decoration Building, #122 Zhenhua RD., Futian, Shenzhen, China

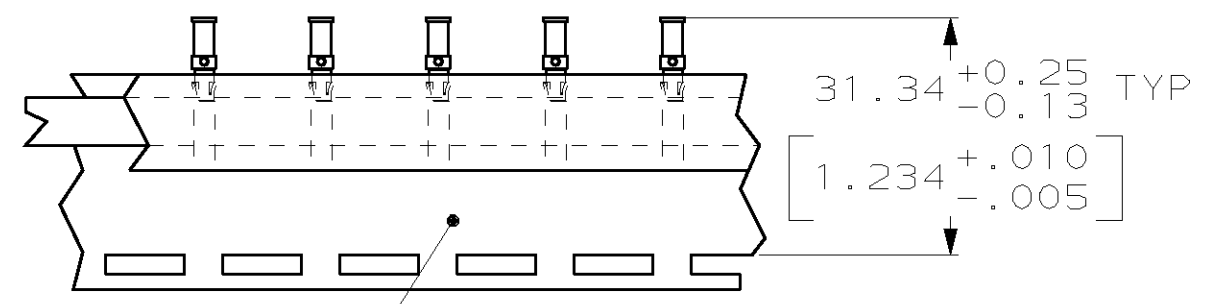
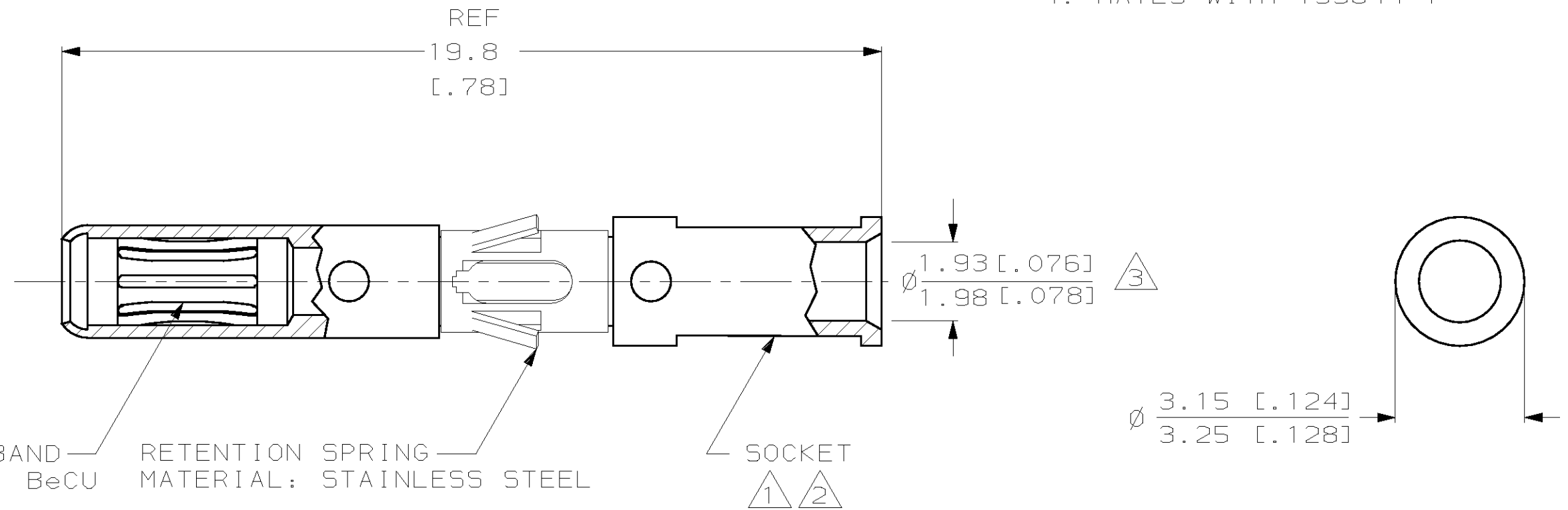


THIS DRAWING IS UNPUBLISHED. RELEASED FOR PUBLICATION, 19 .
 © COPYRIGHT 19 BY AMP INCORPORATED. ALL RIGHTS RESERVED.

LOC		D1ST		REVISIONS		
P	LTR	DESCRIPTION	DATE	DWN	APVD	
CH	11	C	ADDED -2	21/NOV/95	RNP PG	

5 WHEN ORDERING CONTACT ASSEMBLIES ON TAPE, ORDER BY PART NUMBER PLUS THE PACKAGING CODE AS FOLLOWS:
 A. 5000 PARTS PER REEL ADD PACKAGING CODE: 5MREEL
 I.E. ORDER # 193846-2, 5MREEL

- 1 MATERIAL: COPPER ALLOY
- 2 FINISH: SOCKET; 200 μINCHES MIN. SILVER OVER 50 μINCHES MIN. NICKEL BAND; 10 μINCHES MIN. GOLD OVER 40 μINCHES MIN. NICKEL
- 3 WIRE BARREL WILL ACCEPT #14AWG WIRE
- 4. MATES WITH 193844-1



5 TAPE MTG (SEE DETAIL)	193846-2
STANDARD	193846-1
PACKAGING TYPE	PART NO

THIS DRAWING IS A CONTROLLED DOCUMENT FOR AMP INCORPORATED. IT IS SUBJECT TO CHANGE AND THE CONTROLLING ENGINEERING ORGANIZATION SHOULD BE CONTACTED FOR THE LATEST REVISION.		DWN R N POLK 25/JAN/95	AMP Incorporated Harrisburg, PA 17105-3608	
DIMENSIONS: mm		CHK -	NAME	
TOLERANCES UNLESS OTHERWISE SPECIFIED: 0 PLC ±- 1 PLC ±- 2 PLC ±- 3 PLC ±- 4 PLC ±- ANGLES ±- FINISH		PRODUCT SPEC -	SOCKET ASSY, #14 AWG HIGH CURRENT TYPE II/III+	
MATERIAL 1	2	APPLICATION SPEC -	SIZE A3	CAGE CODE 00779
		WEIGHT -	DRAWING NO C=193846	
		CUSTOMER DRAWING	SCALE 8:1	SHEET 1 OF 1 REV C