



Chipsmall Limited consists of a professional team with an average of over 10 year of expertise in the distribution of electronic components. Based in Hongkong, we have already established firm and mutual-benefit business relationships with customers from,Europe,America and south Asia,supplying obsolete and hard-to-find components to meet their specific needs.

With the principle of “Quality Parts,Customers Priority,Honest Operation,and Considerate Service”,our business mainly focus on the distribution of electronic components. Line cards we deal with include Microchip,ALPS,ROHM,Xilinx,Pulse,ON,Everlight and Freescale. Main products comprise IC,Modules,Potentiometer,IC Socket,Relay,Connector.Our parts cover such applications as commercial,industrial, and automotives areas.

We are looking forward to setting up business relationship with you and hope to provide you with the best service and solution. Let us make a better world for our industry!



Contact us

Tel: +86-755-8981 8866 Fax: +86-755-8427 6832

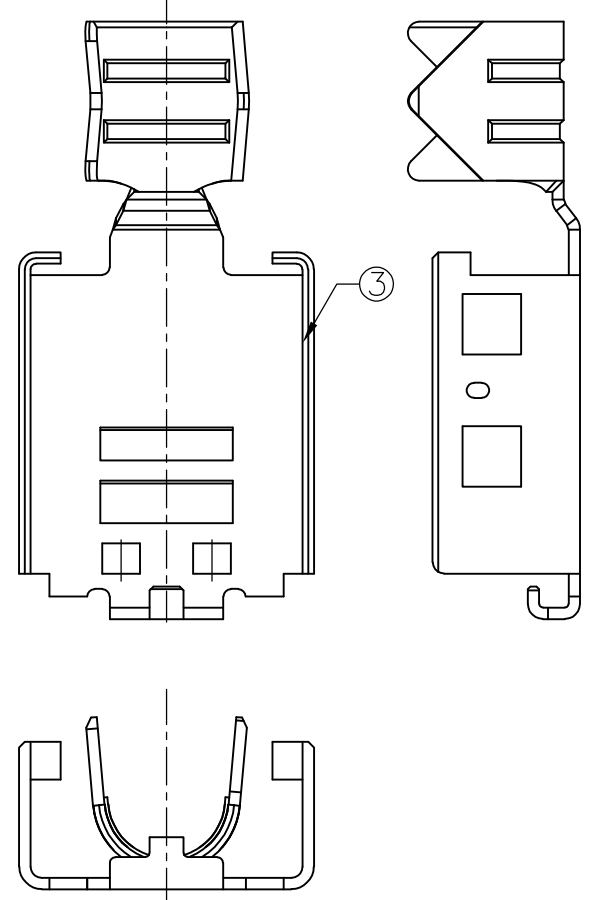
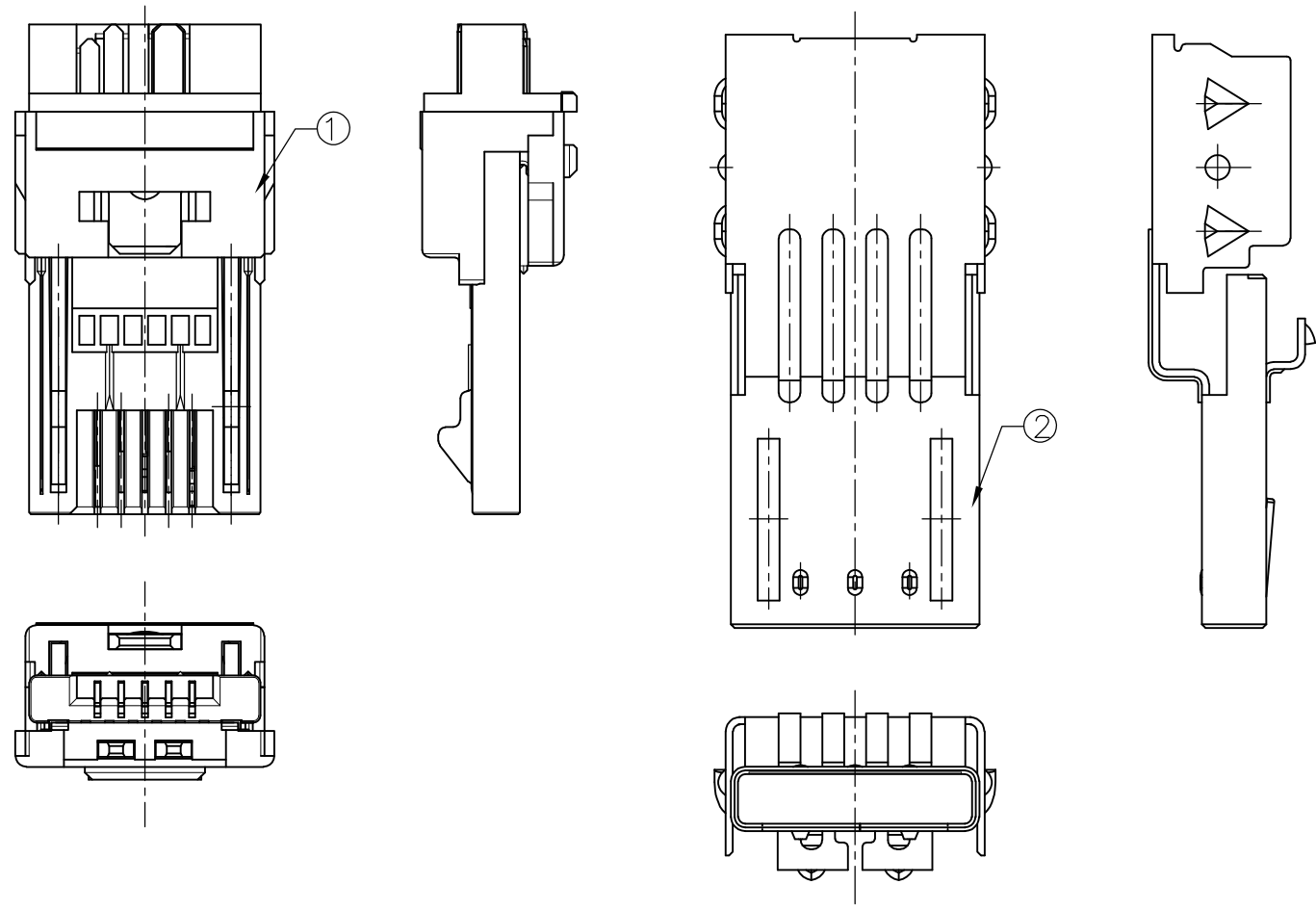
Email & Skype: info@chipsmall.com Web: www.chipsmall.com

Address: A1208, Overseas Decoration Building, #122 Zhenhua RD., Futian, Shenzhen, China



THIS DRAWING IS UNPUBLISHED. RELEASED FOR PUBLICATION .2007.
 © COPYRIGHT 2007 By - ALL RIGHTS RESERVED.

LOC	DIST	REVISIONS					
J	/	P	LTR	DESCRIPTION	DATE	DWN	APVD
		E		REVISED PER ECR-11-014079	15NOV2011	T.T	J.T



1. ITEM 2 AND 3 ARE NOT ASSEMBLED.
 2. PACKAGING QUANTITY : 550 KIT

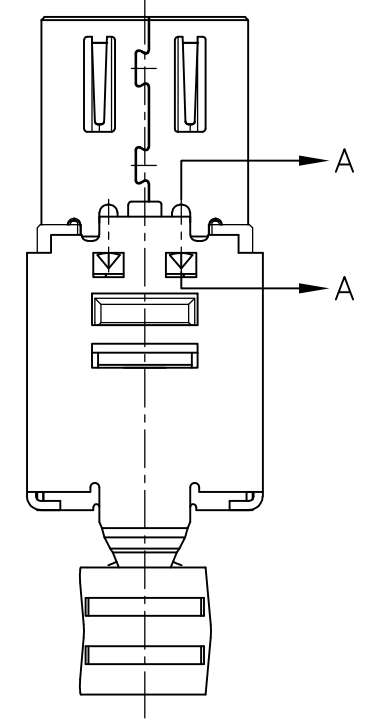
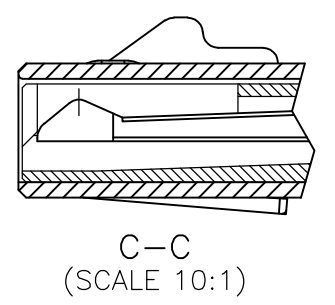
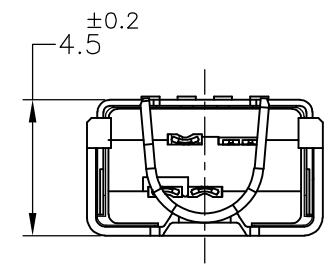
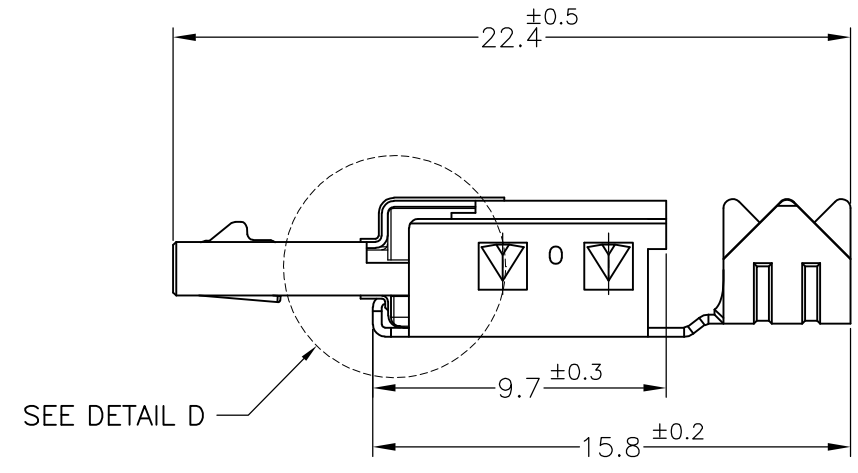
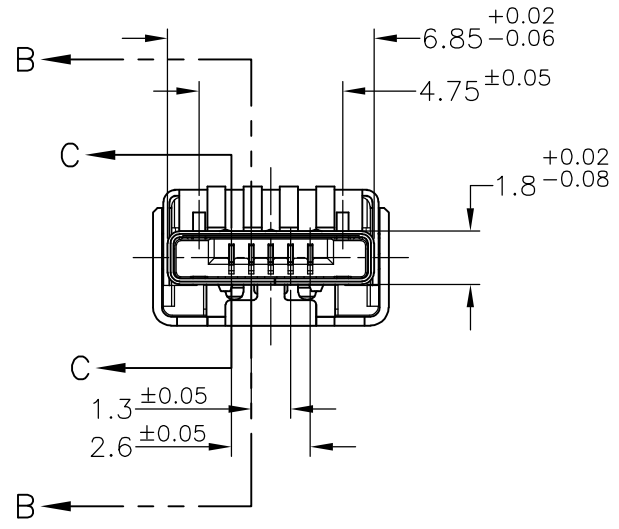
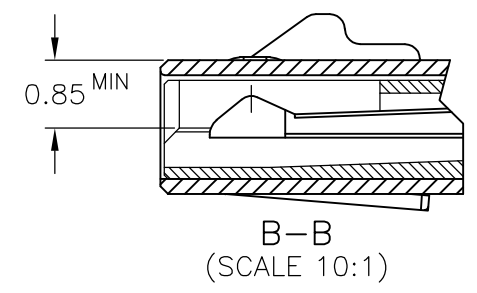
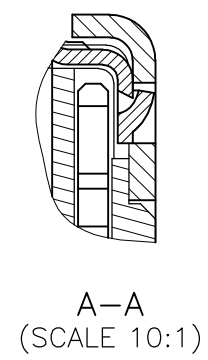
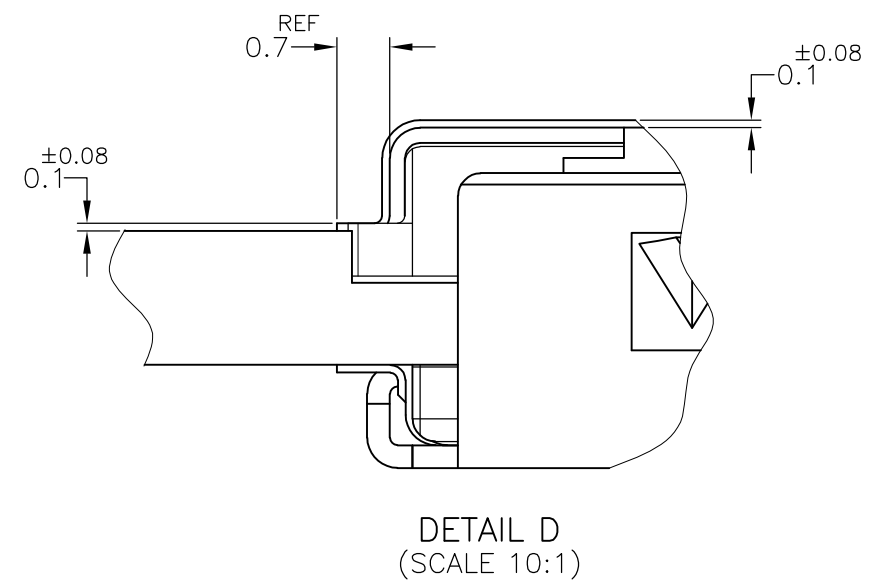
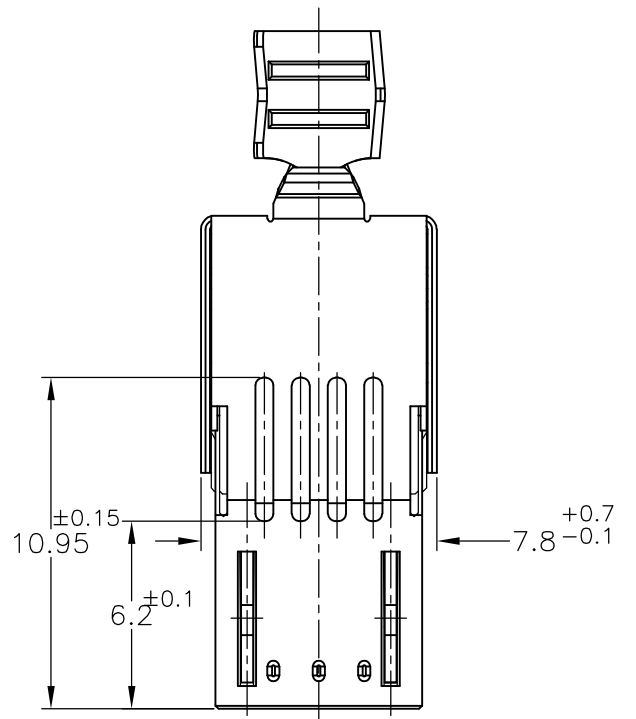
OBSOLETE	ø4.3	NOT AVAILABLE	SELECTIVE Au PLATED OVER Ni-Pd PLATED OVER Ni PLATED	1-1939053-3	LOWER SHELL	1-1939061-6	⑥
		AVAILABLE	SELECTIVE Au PLATED OVER Ni PLATED	1939053-3	UPPER SHELL	1-1939059-2	②
OBSOLETE	ø3.3	NOT AVAILABLE	SELECTIVE Au PLATED OVER Ni-Pd PLATED OVER Ni PLATED	1-1939053-2	SUB ASSY	1-1939079-2	①
		AVAILABLE	SELECTIVE Au PLATED OVER Ni PLATED	1939053-2	LOWER SHELL	1-1939061-6	③
OBSOLETE	ø2.8	NOT AVAILABLE	SELECTIVE Au PLATED OVER Ni-Pd PLATED OVER Ni PLATED	1-1939053-1	UPPER SHELL	1-1939059-2	②
		AVAILABLE	SELECTIVE Au PLATED OVER Ni PLATED	1939053-1	SUB ASSY	1-1939079-1	①
	APPLICABLE CABLE DIAMETER	TOOLING STATUS	CONTACT FINISH	PART NO. FOR KIT	DESCRIPTION	PART NO.	ITEM

THIS DRAWING IS A CONTROLLED DOCUMENT.

DWN	J.TSUJI	06AUG2007	 TE Connectivity	NAME T.KUSUHARA PRODUCT SPEC 製品規格 APPLICATION SPEC 取付適用規格 WEIGHT CUSTOMER DRAWING					
CHK	T.KUSUHARA	07AUG2007							
APVD	T.KUSUHARA	07AUG2007							
DIMENSIONS: 単位: 耗 mm 									
TOLERANCES UNLESS OTHERWISE SPECIFIED: 一般公差 0 PLC ± - 1 PLC ± - 2 PLC ± - 3 PLC ± - 4 PLC ± - ANGLES ± - MATERIAL 材料 FINISH 仕上			MICRO USB I/O PLUG TYPE A KIT	SIZE A3	CAGE CODE 00779	DRAWING NO 番号 C-1939053	RESTRICTED TO SCALE 尺度 5:1	SHEET 1 OF 3	REV E

THIS DRAWING IS UNPUBLISHED. RELEASED FOR PUBLICATION ,2006.
 © COPYRIGHT 2006 By - ALL RIGHTS RESERVED.

LOC	DIST	REVISIONS					
J	/	P	LTR	DESCRIPTION	DATE	DWN	APVD
		-		SEE SHEET 1	-	-	-

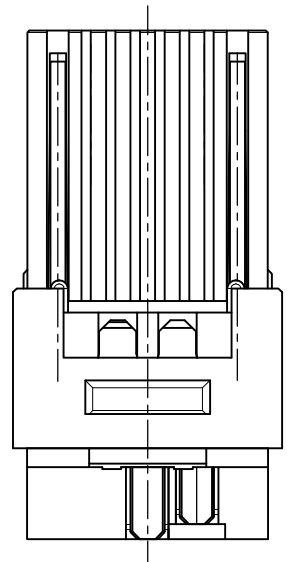
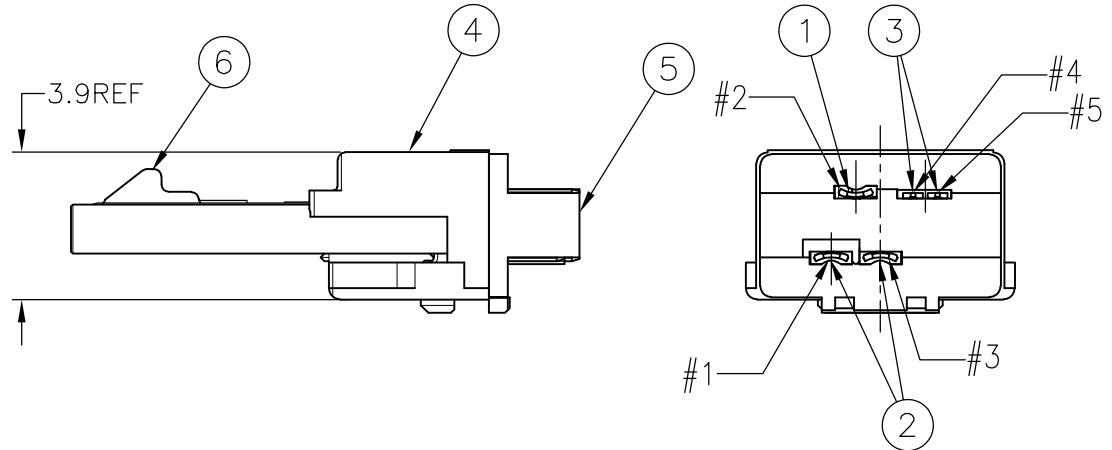
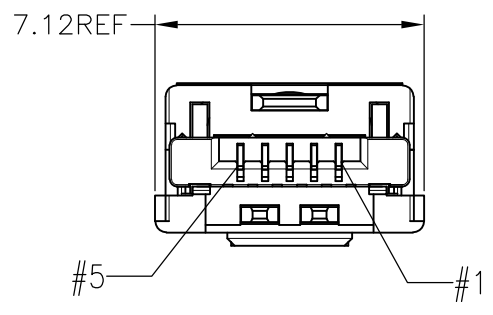
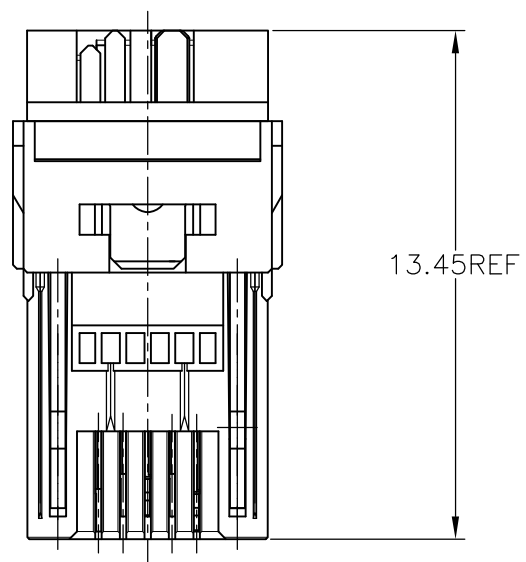


REFERENCE: SHELL ASSEMBLY

THIS DRAWING IS A CONTROLLED DOCUMENT.		DWN	-	TE Connectivity			
DIMENSIONS: 單位: 耗 mm		CHK	-				
TOLERANCES UNLESS OTHERWISE SPECIFIED: 一般公差		APVD	-	NAME 名稱			
0 PLC ± -		PRODUCT SPEC 製品規格		MICRO USB I/O PLUG TYPE A KIT			
1 PLC ± -		APPLICATION SPEC 取付適用規格		SIZE	CAGE CODE	DRAWING NO 番号	RESTRICTED TO
2 PLC ± -		WEIGHT		A3	00779	C-1939053	-
3 PLC ± -		CUSTOMER DRAWING		SCALE 尺度 4:1		SHEET 2 OF 3	REV E
4 PLC ± -							
ANGLES ± -							
FINISH 仕上							
MATERIAL 材料							

THIS DRAWING IS UNPUBLISHED. RELEASED FOR PUBLICATION ,2006.
 © COPYRIGHT 2006 By - ALL RIGHTS RESERVED.

LOC	DIST	REVISIONS		
J	/	P	LTR	DESCRIPTION
		-		SEE SHEET 1
			DATE	DWN
			-	-
			APVD	-



REFERENCE: SUB ASSY

SUB ASSY	NOT AVAILABLE	1-1939079-2	LOCK LEVER	1981274-3	STAINLESS STEEL		⑥
			BOTTOM COVER	1981244-1	THERMO PLASTIC		⑤
			HOUSING	1939055-1	THERMO PLASTIC		④
			CONTACT C	1981214-3	COPPER ALLOY	SELECTIVE Au PLATED OVER Ni-Pd PLATED OVER Ni PLATED	③
			CONTACT B	1939058-3	COPPER ALLOY	SELECTIVE Au PLATED OVER Ni-Pd PLATED OVER Ni PLATED	②
	AVAILABLE	1-1939079-1	CONTACT A	1939057-3	COPPER ALLOY	SELECTIVE Au PLATED OVER Ni-Pd PLATED OVER Ni PLATED	①
			LOCK LEVER	1981274-3	STAINLESS STEEL		⑥
			BOTTOM COVER	1981244-1	THERMO PLASTIC		⑤
			HOUSING	1939055-1	THERMO PLASTIC		④
			CONTACT C	1981214-2	COPPER ALLOY	SELECTIVE Au PLATED OVER Ni PLATED	③
			CONTACT B	1939058-2	COPPER ALLOY	SELECTIVE Au PLATED OVER Ni PLATED	②
			CONTACT A	1939057-2	COPPER ALLOY	SELECTIVE Au PLATED OVER Ni PLATED	①
NAME	TOOLING STATUS	P/N	DESCRIPTION	PART NO.	MATERIAL	FINISH	ITEM

THIS DRAWING IS A CONTROLLED DOCUMENT.

DWN
CHK
APVD

PRODUCT SPEC
製品規格

APPLICATION SPEC
取付適用規格

WEIGHT

CUSTOMER DRAWING

SCALE 5:1

SHEET 3 OF 3

REV E

STE TE Connectivity

NAME 名称
MICRO USB I/O
PLUG TYPE A
KIT

SIZE A3 CAGE CODE 00779 DRAWING NO 番号 C-1939053 RESTRICTED TO