



Chipsmall Limited consists of a professional team with an average of over 10 year of expertise in the distribution of electronic components. Based in Hongkong, we have already established firm and mutual-benefit business relationships with customers from,Europe,America and south Asia,supplying obsolete and hard-to-find components to meet their specific needs.

With the principle of “Quality Parts,Customers Priority,Honest Operation,and Considerate Service”,our business mainly focus on the distribution of electronic components. Line cards we deal with include Microchip,ALPS,ROHM,Xilinx,Pulse,ON,Everlight and Freescale. Main products comprise IC,Modules,Potentiometer,IC Socket,Relay,Connector.Our parts cover such applications as commercial,industrial, and automotives areas.

We are looking forward to setting up business relationship with you and hope to provide you with the best service and solution. Let us make a better world for our industry!



## Contact us

Tel: +86-755-8981 8866 Fax: +86-755-8427 6832

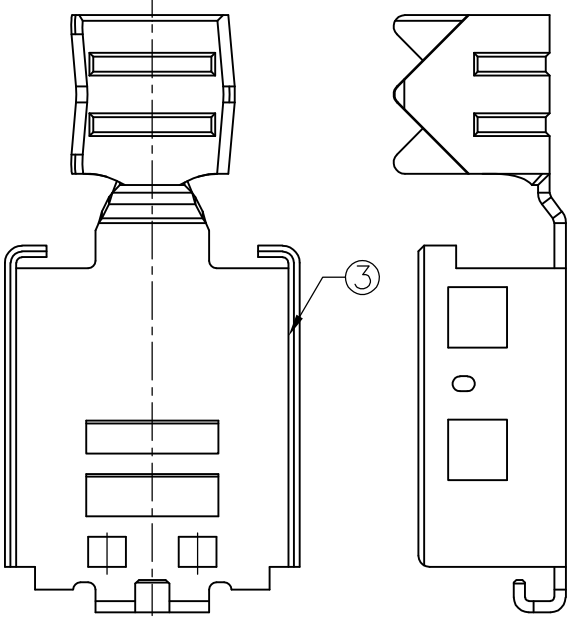
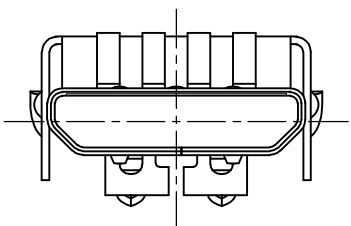
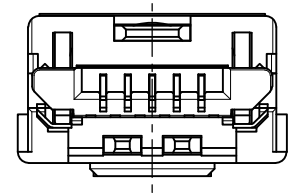
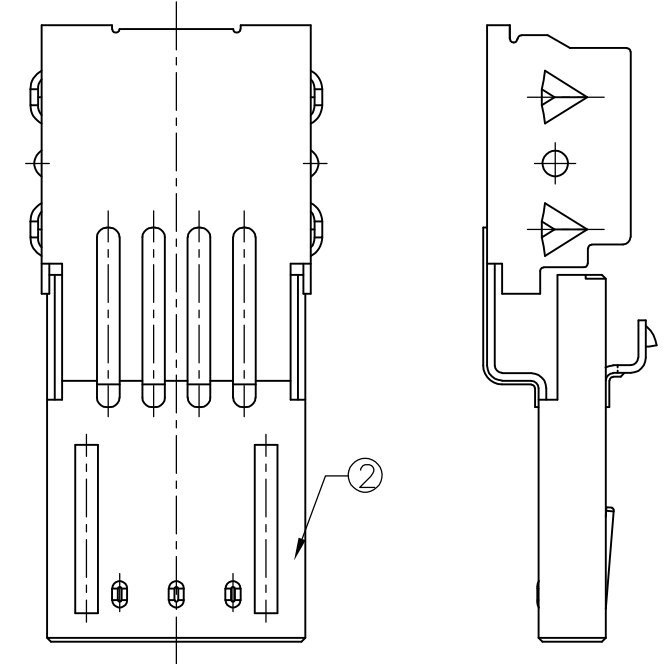
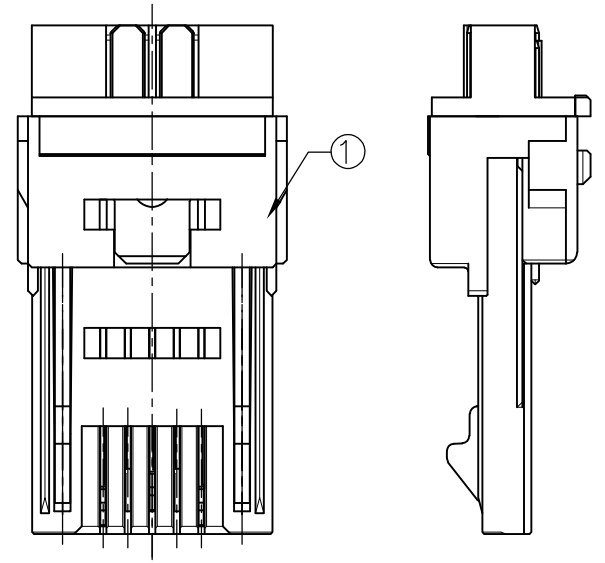
Email & Skype: info@chipsmall.com Web: www.chipsmall.com

Address: A1208, Overseas Decoration Building, #122 Zhenhua RD., Futian, Shenzhen, China



THIS DRAWING IS UNPUBLISHED. RELEASED FOR PUBLICATION ,2007.  
 © COPYRIGHT 2007 By - ALL RIGHTS RESERVED.

LOC	DIST	REVISIONS 変更					
J	/	P	LTR	DESCRIPTION	DATE	DWN	APVD
		G		REVISED PER ECR-11-014079	15NOV2011	T.T	J.T



1. ITEM 2 AND 3 ARE NOT ASSEMBLED.  
 2. PACKAGING QUANTITY : 550 KIT

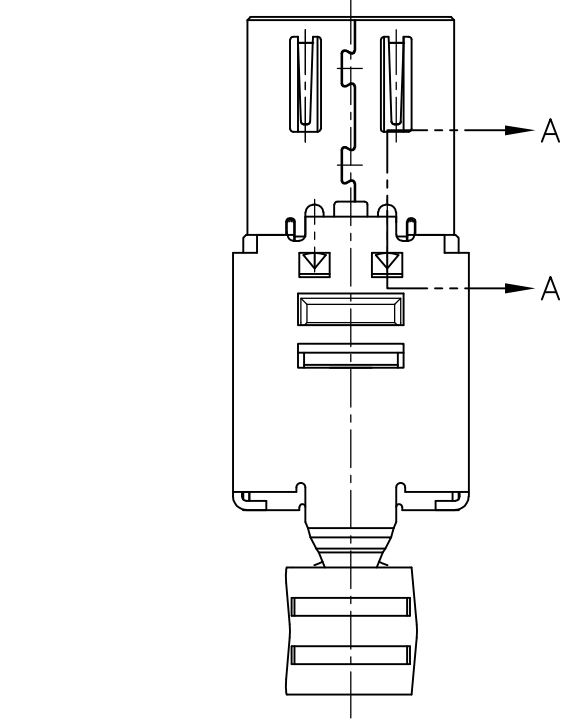
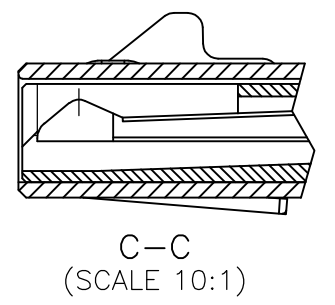
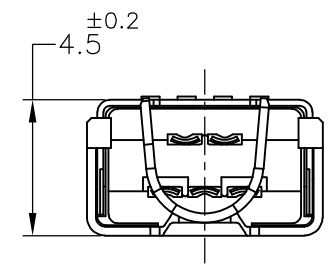
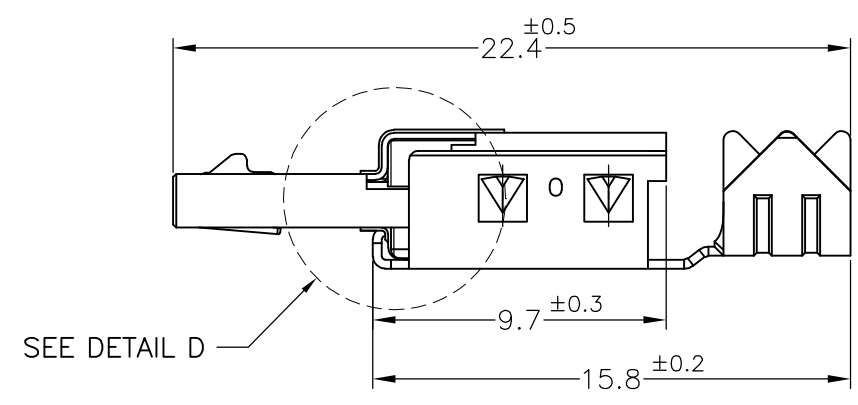
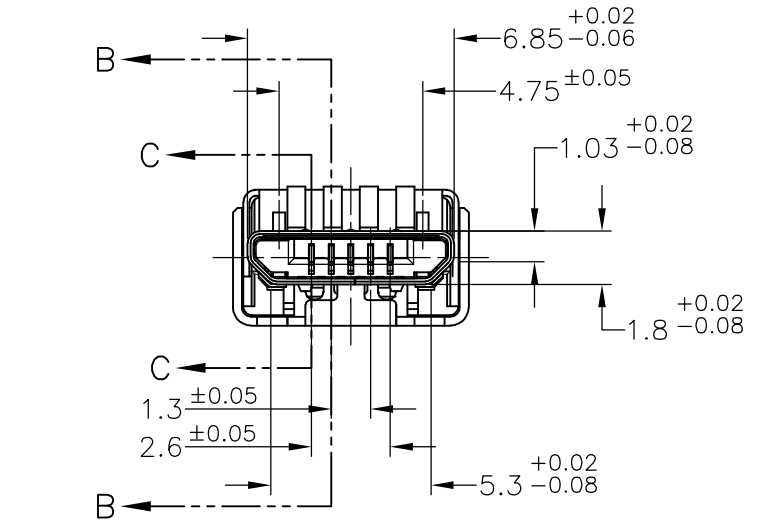
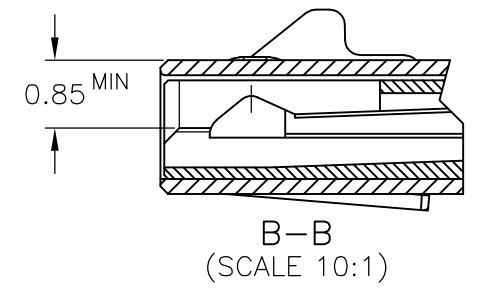
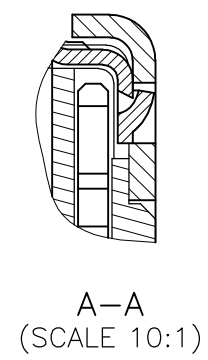
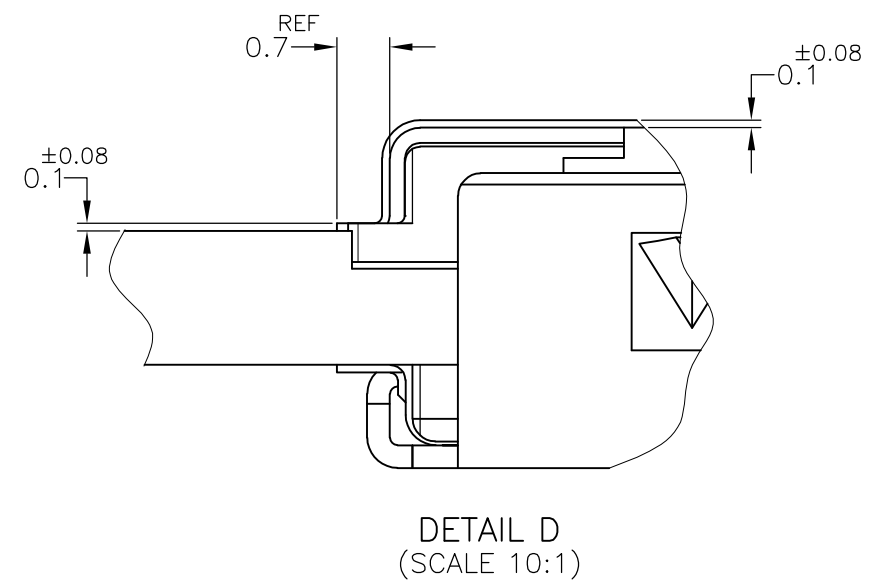
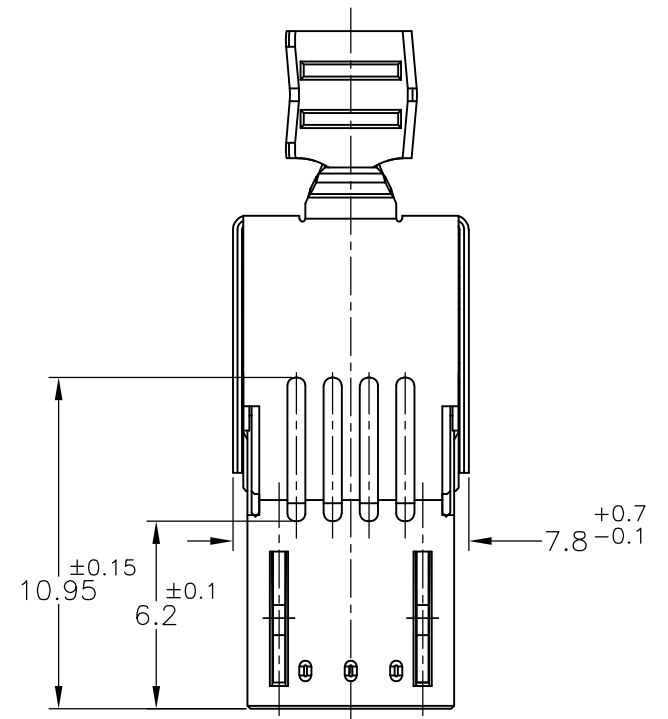
APPLICABLE CABLE DIAMETER	TOOLING STATUS	CONTACT FINISH	PART NO. FOR KIT	DESCRIPTION	PART NO.	ITEM
ø4.3	NOT AVAILABLE	SELECTIVE Au PLATED OVER Ni-Pd PLATED OVER Ni PLATED	1-1939054-3	LOWER SHELL	1-1939061-6	⑥
	AVAILABLE	SELECTIVE Au PLATED OVER Ni PLATED	1939054-3	UPPER SHELL	1-1939060-2	②
ø3.3	NOT AVAILABLE	SELECTIVE Au PLATED OVER Ni-Pd PLATED OVER Ni PLATED	1-1939054-2	SUB ASSY	1-1939080-2	①
	AVAILABLE	SELECTIVE Au PLATED OVER Ni PLATED	1939054-2	LOWER SHELL	1-1939061-6	③
ø2.8	NOT AVAILABLE	SELECTIVE Au PLATED OVER Ni-Pd PLATED OVER Ni PLATED	1-1939054-1	UPPER SHELL	1-1939060-2	②
	AVAILABLE	SELECTIVE Au PLATED OVER Ni PLATED	1939054-1	SUB ASSY	1-1939080-1	①
				LOWER SHELL	1-1939061-2	③
				UPPER SHELL	1-1939060-2	②
				SUB ASSY	1-1939080-2	①
				LOWER SHELL	1-1939061-4	④
				UPPER SHELL	1-1939060-2	②
				SUB ASSY	1-1939080-1	①
				LOWER SHELL	1-1939061-2	③
				UPPER SHELL	1-1939060-2	②
				SUB ASSY	1-1939080-2	①
				LOWER SHELL	1-1939061-2	③
				UPPER SHELL	1-1939060-2	②
				SUB ASSY	1-1939080-1	①

THIS DRAWING IS A CONTROLLED DOCUMENT.

DWN J.TSUJI 28MAY2007	TE Connectivity MICRO USB I/O PLUG TYPE B KIT	NAME T.KUSUHARA
CHK T.KUSUHARA 28MAY2007		SIZE A3
APVD T.KUSUHARA 28MAY2007		CAGE CODE 00779
PRODUCT SPEC 製品規格		DRAWING NO 番号 G-1939054
APPLICATION SPEC 取付適用規格	RESTRICTED TO	
WEIGHT	CUSTOMER DRAWING	SCALE 尺度 5:1
		SHEET 1 OF 3
		REV G

THIS DRAWING IS UNPUBLISHED. RELEASED FOR PUBLICATION ,2006.  
 © COPYRIGHT 2006 By - ALL RIGHTS RESERVED.

LOC	DIST	REVISIONS			DATE	DWN	APVD
J	/	P	LTR	DESCRIPTION			
		-		SEE SHEET 1	-	-	-

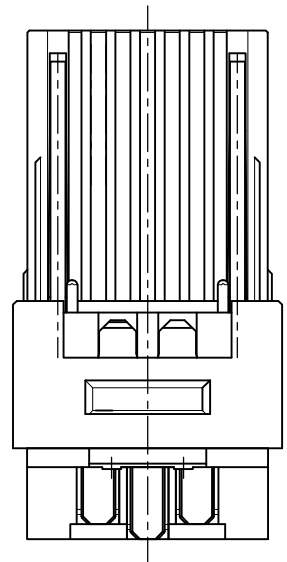
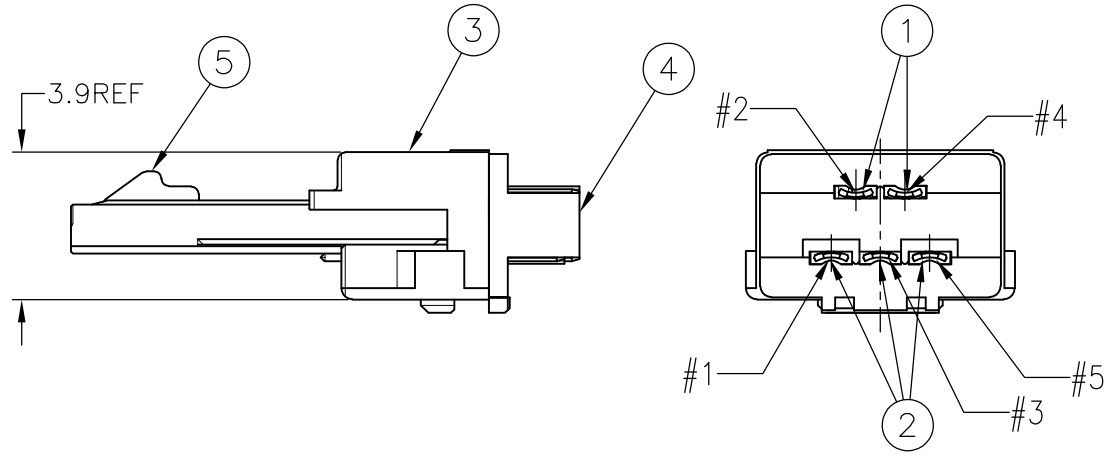
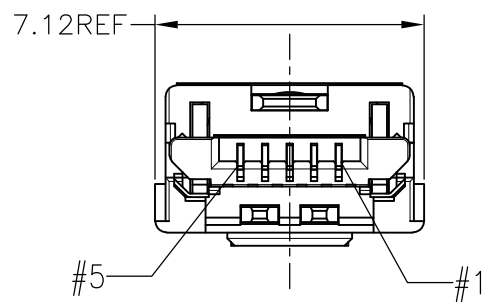
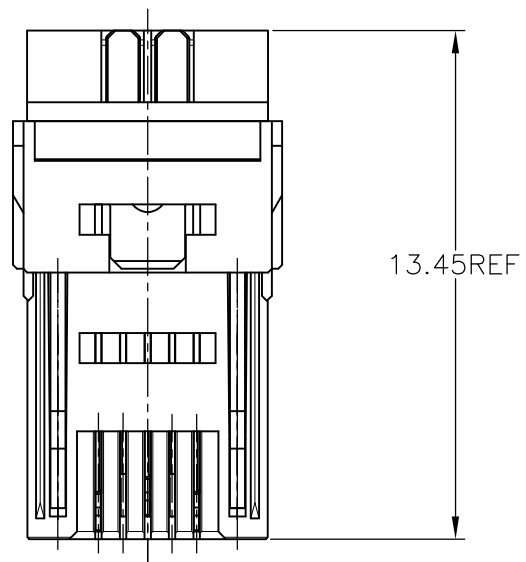


REFERENCE: SHELL ASSEMBLY

THIS DRAWING IS A CONTROLLED DOCUMENT.		DWN	<b>STE</b> TE Connectivity		
DIMENSIONS: 单位: 耗 mm		CHK			
TOLERANCES UNLESS OTHERWISE SPECIFIED: 一般公差		APVD	NAME 名称		
0 PLC ±-		PRODUCT SPEC 製品規格	MICRO USB I/O PLUG TYPE B KIT		
1 PLC ±-		APPLICATION SPEC 取付適用規格	SIZE	CAGE CODE	DRAWING NO 番号
2 PLC ±-		WEIGHT	A3	00779	G-1939054
3 PLC ±-		CUSTOMER DRAWING	SCALE 尺度 4:1		SHEET 2 OF 3
4 PLC ±-			REV G		RESTRICTED TO
ANGLES ±-					
FINISH 仕上					
MATERIAL 材料					

THIS DRAWING IS UNPUBLISHED. RELEASED FOR PUBLICATION ,2006.  
 © COPYRIGHT 2006 By - ALL RIGHTS RESERVED.

LOC	DIST	REVISIONS		
J	/	P	LTR	DESCRIPTION
		-		SEE SHEET 1
			DATE	DWN
			-	-
			APVD	-



REFERENCE: SUB ASSY

NAME	TOOLING STATUS	P/N	DESCRIPTION	PART NO.	MATERIAL	FINISH	ITEM
SUB ASSY	NOT AVAILABLE	1-1939080-2	LOCK LEVER	1981274-3	STAINLESS STEEL		⑤
			BOTTOM COVER	1981198-1	THERMO PLASTIC		④
			HOUSING	1939056-1	THERMO PLASTIC		③
			CONTACT B	1939058-3	COPPER ALLOY	SELECTIVE Au PLATED OVER Ni-Pd PLATED OVER Ni PLATED	②
			CONTACT A	1939057-3	COPPER ALLOY	SELECTIVE Au PLATED OVER Ni-Pd PLATED OVER Ni PLATED	①
	AVAILABLE	1-1939080-1	LOCK LEVER	1981274-3	STAINLESS STEEL		⑤
			BOTTOM COVER	1981198-1	THERMO PLASTIC		④
			HOUSING	1939056-1	THERMO PLASTIC		③
			CONTACT B	1939058-2	COPPER ALLOY	SELECTIVE Au PLATED OVER Ni PLATED	②
			CONTACT A	1939057-2	COPPER ALLOY	SELECTIVE Au PLATED OVER Ni PLATED	①

THIS DRAWING IS A CONTROLLED DOCUMENT.

DIMENSIONS: 单位: 耗 mm	TOLERANCES UNLESS OTHERWISE SPECIFIED: 一般公差	DWN	TE Connectivity MICRO USB I/O PLUG TYPE B KIT
	0 PLC ± -	CHK	
	1 PLC ± -	APVD	
	2 PLC ± -	PRODUCT SPEC 製品規格	
	3 PLC ± -	APPLICATION SPEC 取付適用規格	
MATERIAL 材料	FINISH 仕上	WEIGHT	NAME 名称 SIZE A3 CAGE CODE 00779 DRAWING NO 番号 G-1939054 RESTRICTED TO SCALE 尺度 5:1 SHEET 3 OF 3 REV G

CUSTOMER DRAWING