



Chipsmall Limited consists of a professional team with an average of over 10 year of expertise in the distribution of electronic components. Based in Hongkong, we have already established firm and mutual-benefit business relationships with customers from,Europe,America and south Asia,supplying obsolete and hard-to-find components to meet their specific needs.

With the principle of “Quality Parts,Customers Priority,Honest Operation,and Considerate Service”,our business mainly focus on the distribution of electronic components. Line cards we deal with include Microchip,ALPS,ROHM,Xilinx,Pulse,ON,Everlight and Freescale. Main products comprise IC,Modules,Potentiometer,IC Socket,Relay,Connector.Our parts cover such applications as commercial,industrial, and automotives areas.

We are looking forward to setting up business relationship with you and hope to provide you with the best service and solution. Let us make a better world for our industry!



Contact us

Tel: +86-755-8981 8866 Fax: +86-755-8427 6832

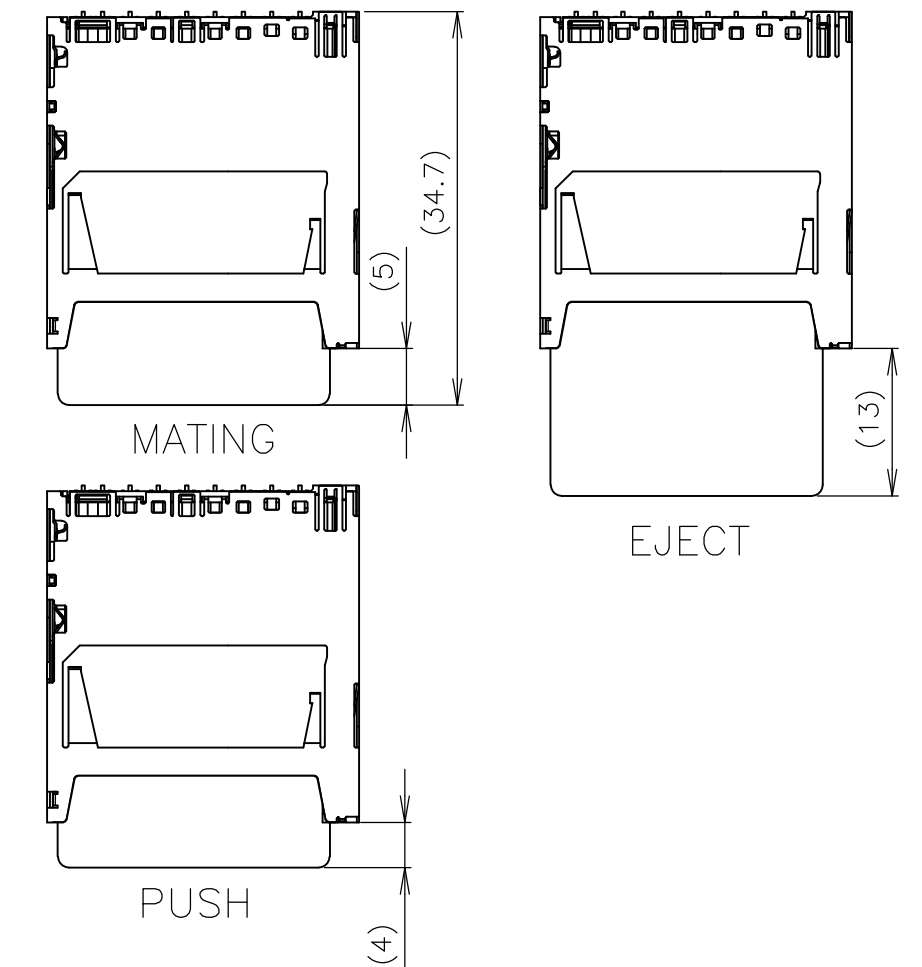
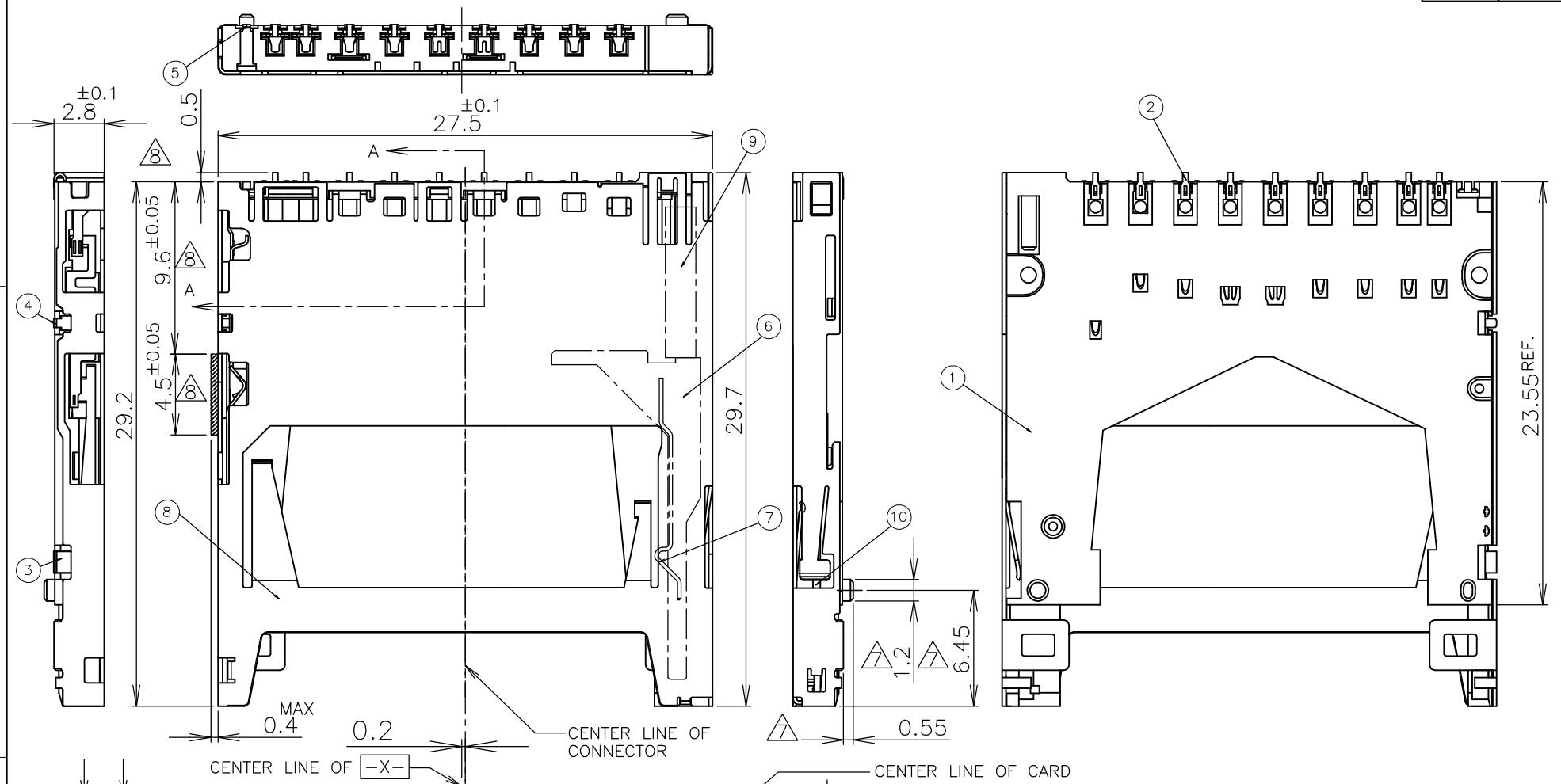
Email & Skype: info@chipsmall.com Web: www.chipsmall.com

Address: A1208, Overseas Decoration Building, #122 Zhenhua RD., Futian, Shenzhen, China



THIS DRAWING IS UNPUBLISHED. RELEASED FOR PUBLICATION MAR , 2003.
 © COPYRIGHT 2004 By Tyco Electronics JAPAN G.K. ALL RIGHTS RESERVED.

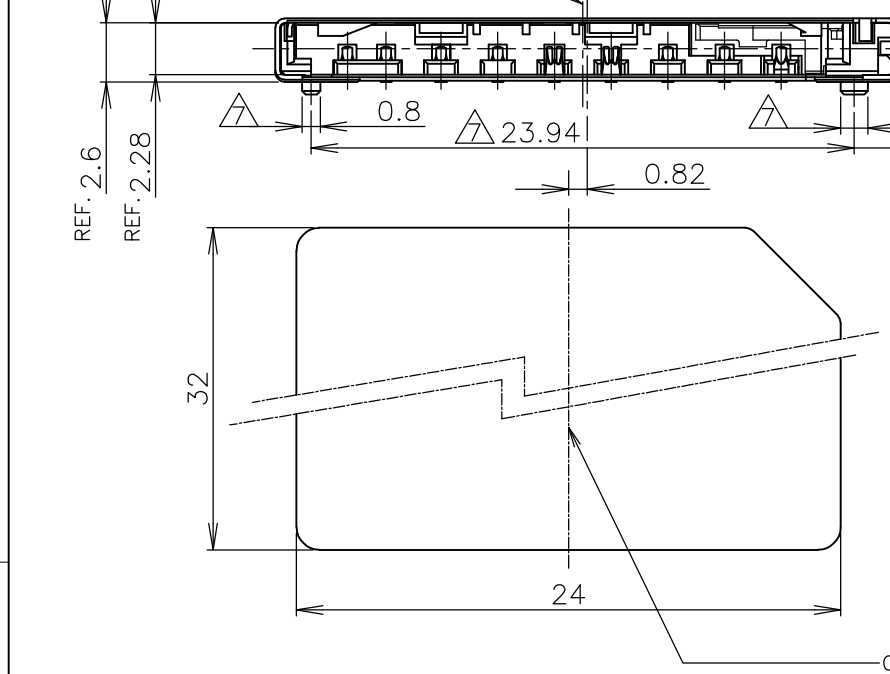
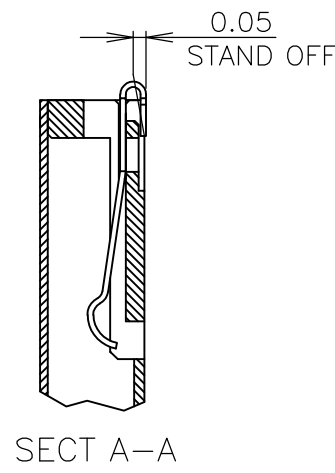
LOC	DIST	REVISIONS					
J	/	P	LTR	DESCRIPTION	DATE	DWN	APVD
		D		REVISED	23JUN2014	J.T	K.K



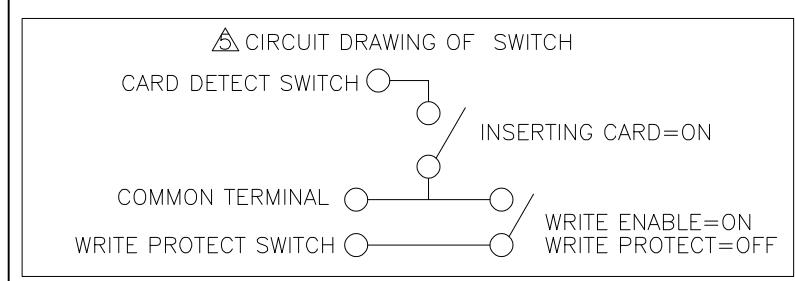
CARD LOCATION WHEN OPERATING

ITEM	DESCRIPTION	MATERIAL	FINISH	QTY
⑩	CAM ROD	SUS	-	1
⑨	COIL SPRING	SWP	-	1
⑧	SHELL	COPPER ALLOY	TIN PLATE	1
⑦	HOOK SPRING	SUS	-	1
⑥	SLIDER	THERMOPLASTIC	-	1
⑤	SWITCH C	COPPER ALLOY	Au ON CONTACT AREA OVER Ni AND Sn ON SOLDER TINE OVER Ni.	1
④	SWITCH B	COPPER ALLOY	Au ON CONTACT AREA AND SOLDER TINE OVER Ni.	1
③	SWITCH A	COPPER ALLOY	Au ON CONTACT AREA OVER Ni AND Sn ON SOLDER TINE OVER Ni.	1
②	CONTACT	COPPER ALLOY	Au ON CONTACT AREA OVER Ni AND Sn ON SOLDER TINE OVER Ni.	1
①	HOUSING	THERMOPLASTIC	-	1
⑨	MATERIAL		⑨ FINISH	QTY

- △ PAD FOR CARD DETECT SWITCH
- △ PAD FOR COMMON TERMINAL
- △ PAD FOR WRITE PROTECT SWITCH
- 4 THE SEQUENCE OF CONTACT DURING CARD INSERTION
 PIN #3,4 — PIN #2,5,6,7,8,9
 CARD DETECT SWITCH — PIN #1
- △ CIRCUIT DRAWING OF SWITCH
- 6 DON'T WASH BY IMMERSING THE CONNECTOR IN FLUID
- △ NO APPLIED TO WITHOUT BOSS TYPE.
- △ SWITCH MOVING AREA
- △ REFER TO THE TABLE FOR MATERIAL AND FINISH.
- 10 COPLANNARITY:0.1MAX.
- 11 PLEASE MOUNT THE SAMPLE AND CONFIRM THE PRESENCE OF TROUBLE.
- 12 ADAPTABLE CARD : SD CARD IN ACCORDANCE WITH STANDARD OF SDA.



CENTER LINE OF CARD
-1, -2 : AS SHOWN



IMPOSSIBLE	WITHOUT	1939115-4
IMPOSSIBLE	WITH	1939115-3
POSSIBLE	WITHOUT	1939115-2
POSSIBLE	WITH	1939115-1
REVERSE REFLOW	BOSS	PART NUMBER

THIS DRAWING IS A CONTROLLED DOCUMENT.

DWN	T.AOKI	24OCT2005
CHK	Y.UCHIKAWA	24OCT2005
APVD	T.KUSUHARA	24OCT2005

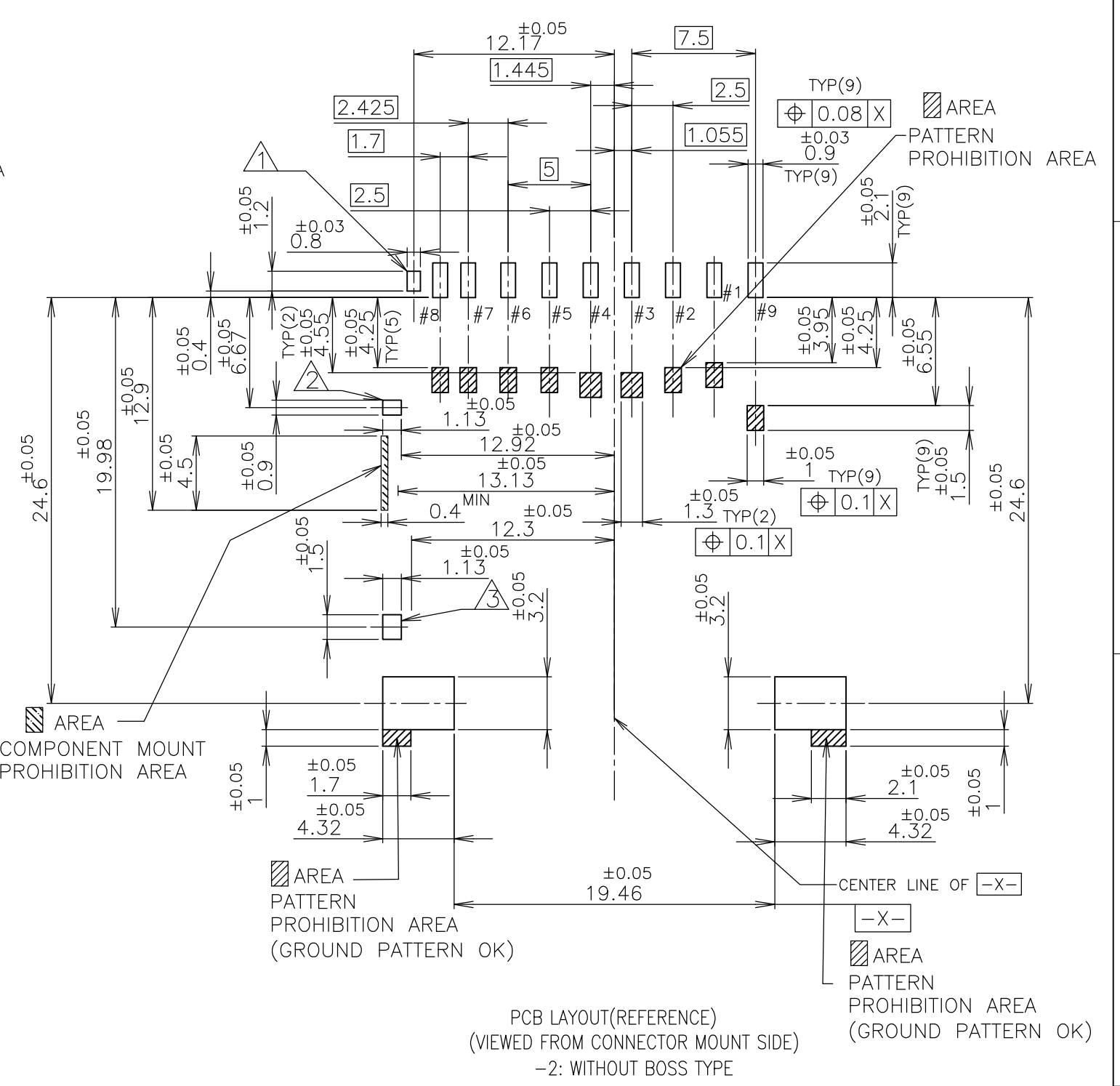
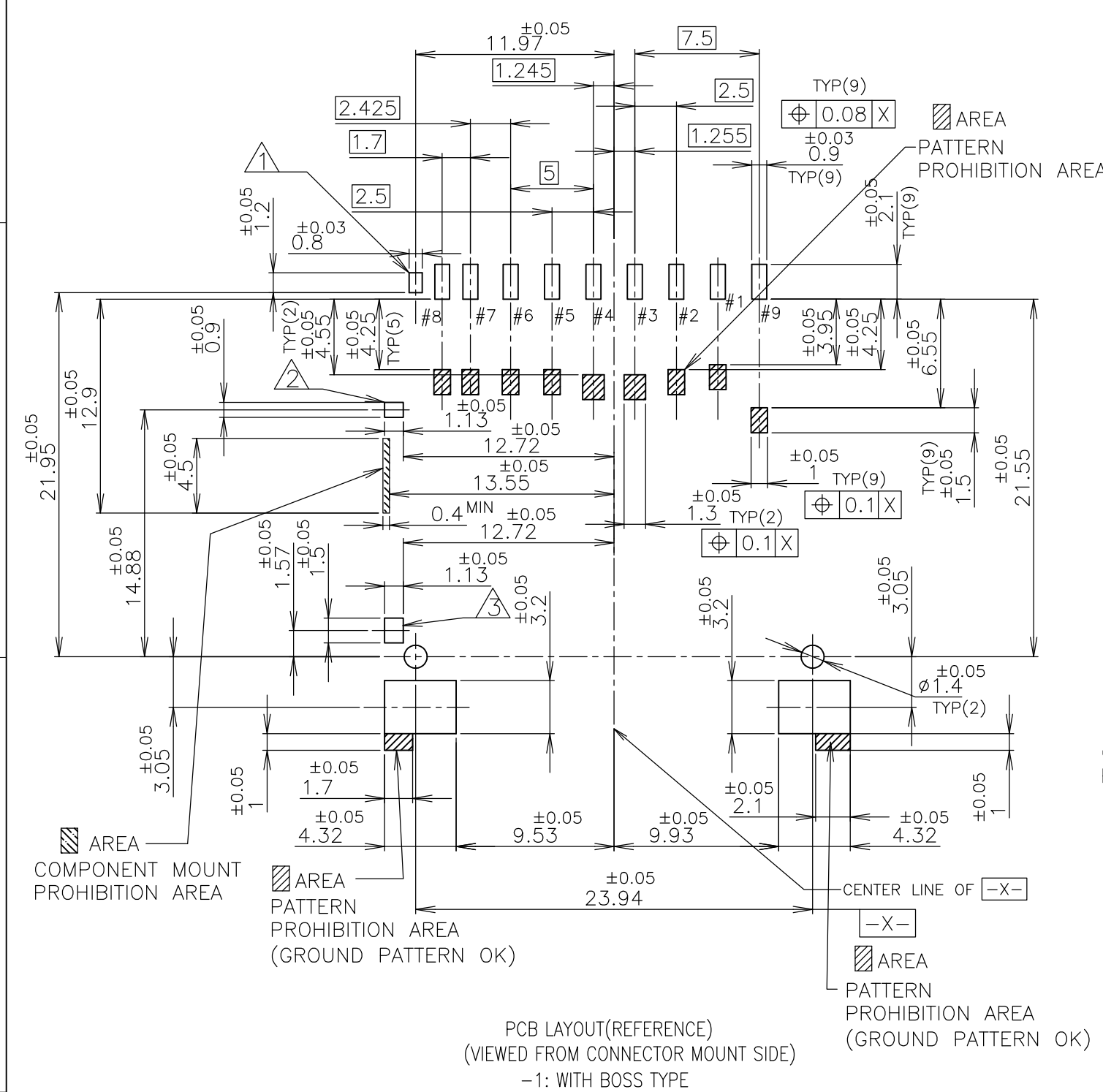
NAME: SD MEMORY CARD CONNECTOR PUSH PUSH TYPE

SIZE	CAGE CODE	DRAWING NO	RESTRICTED TO
A3	00779	C-1939115	-

CUSTOMER DRAWING SCALE 3:1 SHEET 1 OF 6 REV D

THIS DRAWING IS UNPUBLISHED. RELEASED FOR PUBLICATION MAR ,2003.
 © COPYRIGHT 2004 By Tyco Electronics JAPAN G.K. ALL RIGHTS RESERVED.

LOC	DIST	REVISIONS		
		P	LTR	DESCRIPTION
J	/			SEE SHEET 1
				DATE
				DWN
				APVD



- ▲ カード認識スイッチ用パッド
- ▲ コモン端子用パッド
- ▲ ライトプロテクトスイッチ用パッド
- 4 カード挿入時の接触の順番
PIN #3,4 — PIN #2,5,6,7,8,9
カード認識スイッチ — PIN #1
- ▲ スwitchの回路図
- 6 本製品は浸漬による洗浄は行わないこと。
- ▲ ボス無しタイプには、適用なし。
- ▲ スwitch可動エリア
- ▲ 材料&仕上げはテーブルを参照のこと。
- 10 コプラナリティ: 0.1mm以下。

11 サンプルを実装して不具合の有無を確認して下さい。
 12 対応カード: SDAの規格に準拠したSDカード

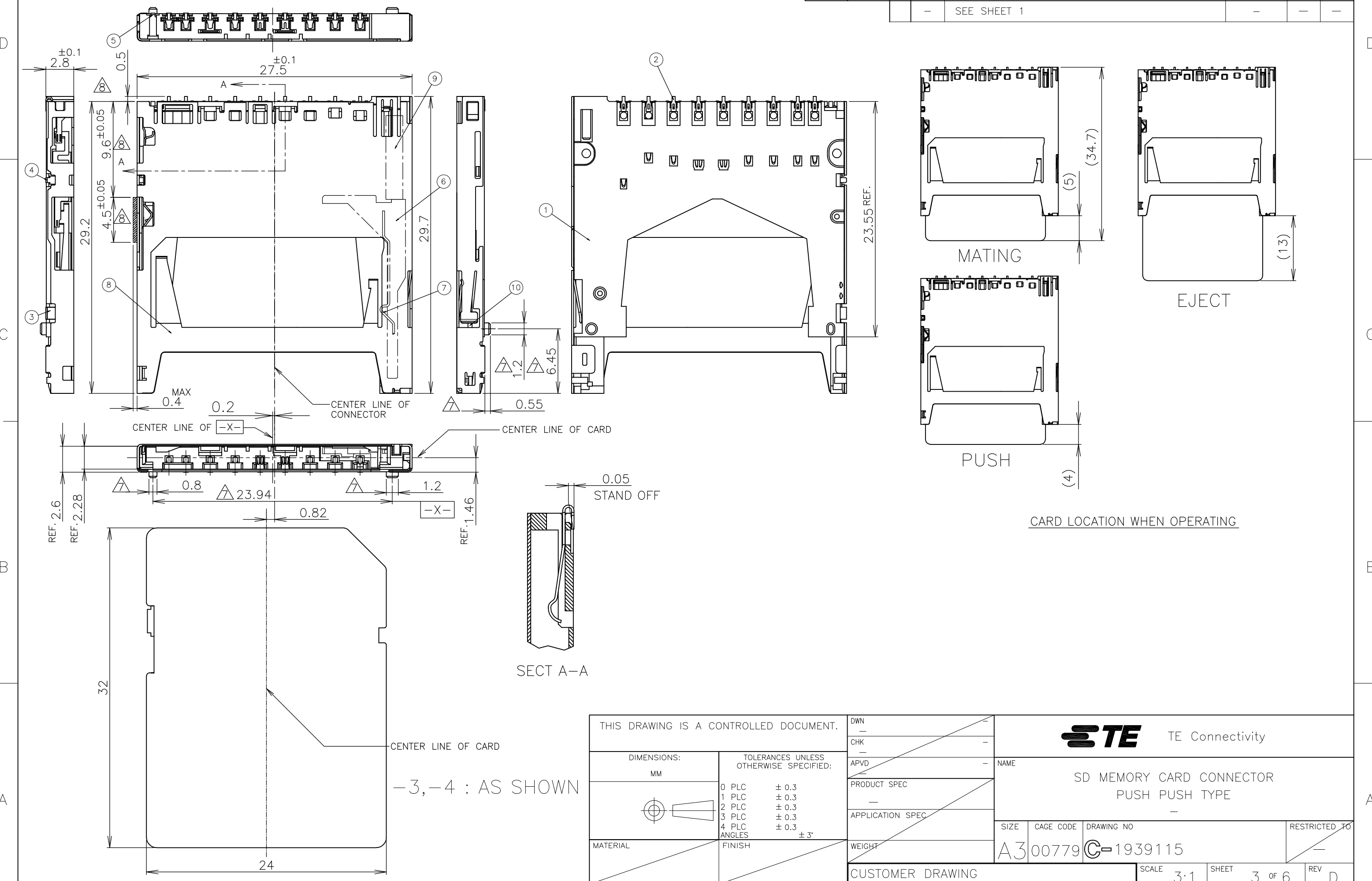
THIS DRAWING IS A CONTROLLED DOCUMENT.

DIMENSIONS: MM	TOLERANCES UNLESS OTHERWISE SPECIFIED:
	0 PLC ± 0.3
	1 PLC ± 0.3
	2 PLC ± 0.3
	3 PLC ± 0.3
	4 PLC ± 0.3
	ANGLES ± 3°
MATERIAL	FINISH

DWN	—	STE TE Connectivity	NAME		
CHK	—				
APVD	—				
PRODUCT SPEC	—				
APPLICATION SPEC	—	SD MEMORY CARD CONNECTOR PUSH PUSH TYPE			
WEIGHT	—	SIZE	CAGE CODE	DRAWING NO	RESTRICTED TO
CUSTOMER DRAWING	—	A3	00779	C-1939115	—
SCALE	3:1	SHEET	2 OF 6	REV	D

THIS DRAWING IS UNPUBLISHED. RELEASED FOR PUBLICATION MAR , 2003.
 © COPYRIGHT 2004 By Tyco Electronics JAPAN G.K. ALL RIGHTS RESERVED.

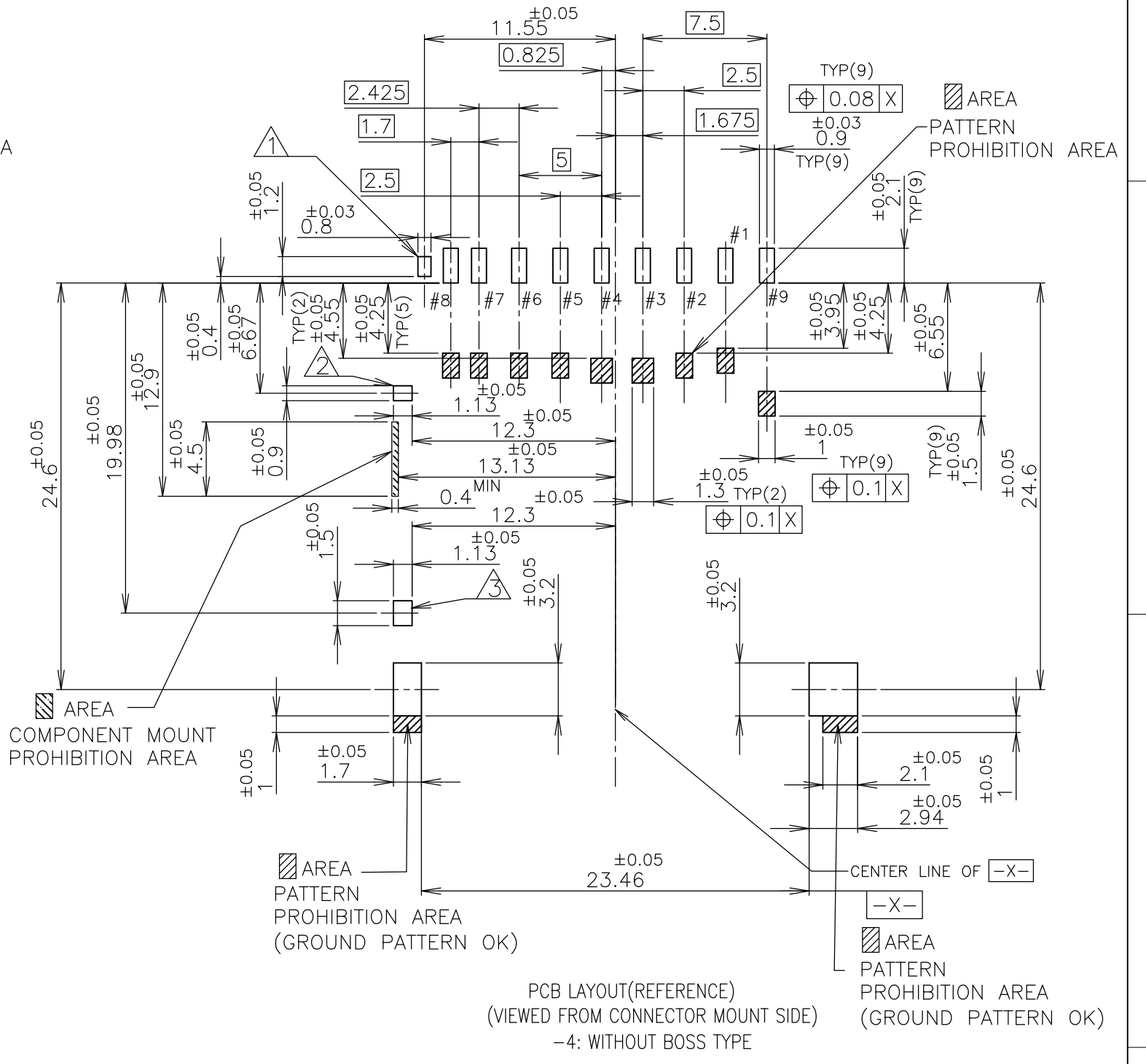
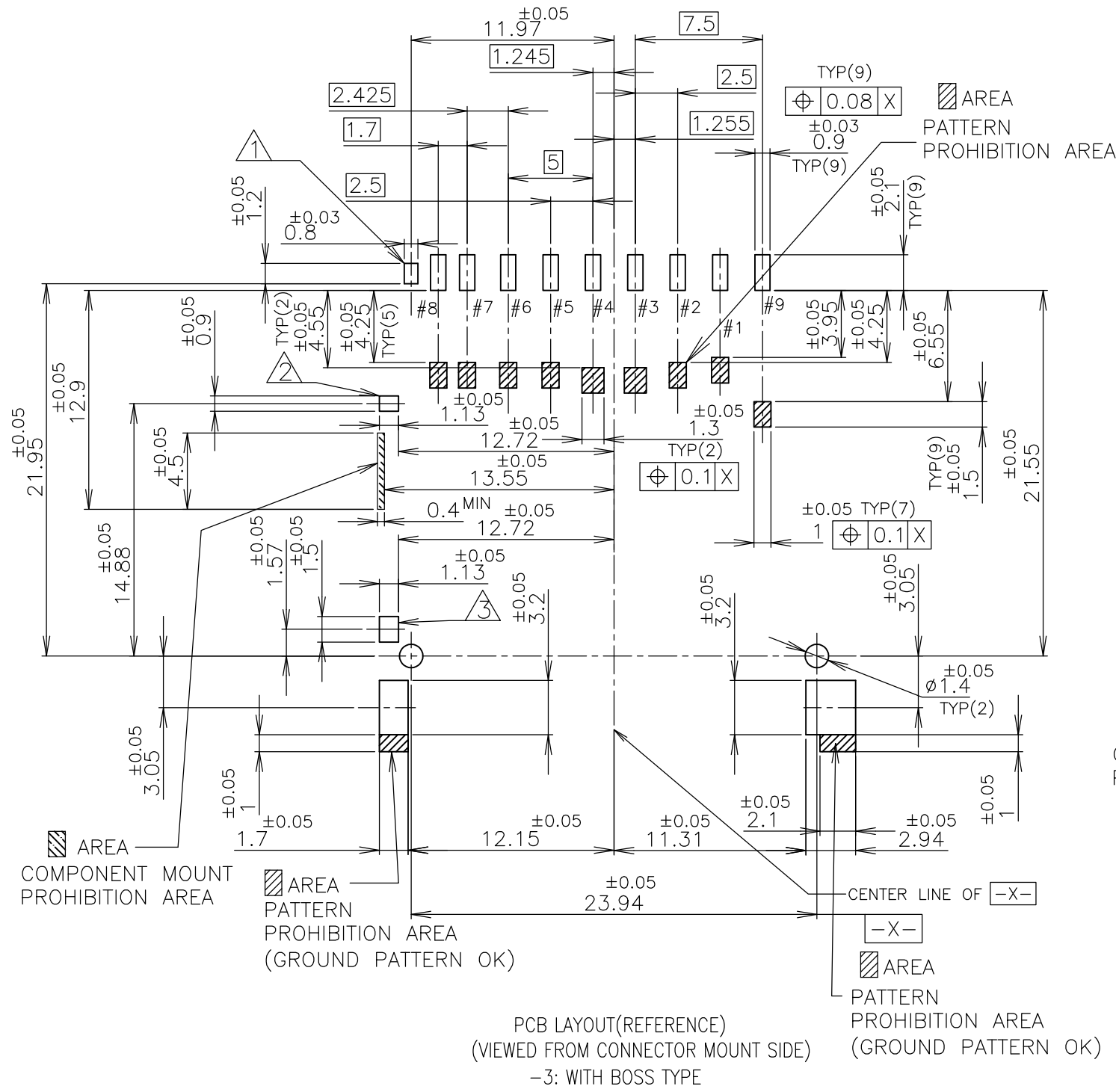
LOC	DIST	REVISIONS			
P	LTR	DESCRIPTION	DATE	DWN	APVD
J	/	SEE SHEET 1	-	-	-



THIS DRAWING IS A CONTROLLED DOCUMENT.		DWN	-		
DIMENSIONS: MM		CHK	-		
TOLERANCES UNLESS OTHERWISE SPECIFIED:		APVD	-		
0 PLC ± 0.3		PRODUCT SPEC	-		
1 PLC ± 0.3		APPLICATION SPEC	-		
2 PLC ± 0.3		WEIGHT	-		
3 PLC ± 0.3		STE TE Connectivity SD MEMORY CARD CONNECTOR PUSH PUSH TYPE			
4 PLC ± 0.3		SIZE	A3	CAGE CODE	00779
ANGLES ± 3°		DRAWING NO	C-1939115		
FINISH		RESTRICTED TO	-		
MATERIAL		CUSTOMER DRAWING	SCALE	3:1	SHEET 3 OF 6
					REV D

THIS DRAWING IS UNPUBLISHED. RELEASED FOR PUBLICATION MAR ,2003.
 © COPYRIGHT 2004 By Tyco Electronics JAPAN G.K. ALL RIGHTS RESERVED.

LOC	DIST	REVISIONS					
		P	LTR	DESCRIPTION	DATE	DWN	APVD
J	/			SEE SHEET 1	-	-	-

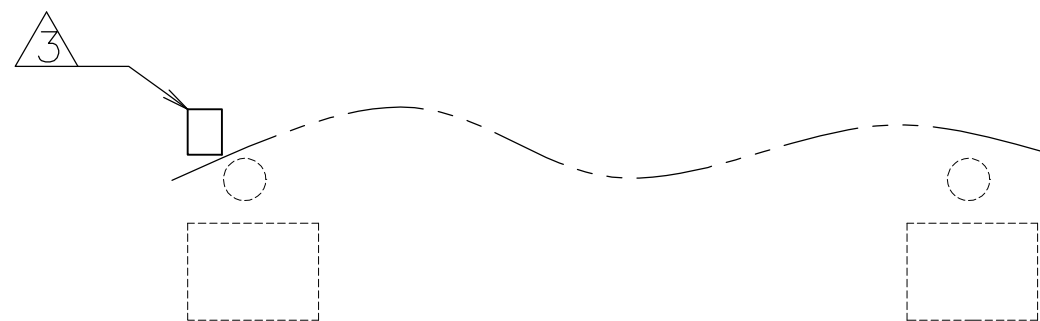
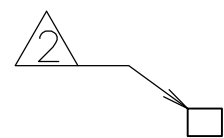
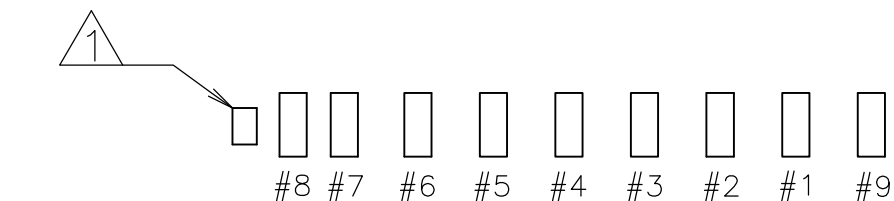


THIS DRAWING IS A CONTROLLED DOCUMENT.		DWN	-		
DIMENSIONS: MM		CHK	-		
TOLERANCES UNLESS OTHERWISE SPECIFIED:		APVD	-		
0 PLC ± 0.3		PRODUCT SPEC	-		
1 PLC ± 0.3		APPLICATION SPEC	-		
2 PLC ± 0.3		SIZE	CAGE CODE	DRAWING NO	RESTRICTED TO
3 PLC ± 0.3		A3	00779	C-1939115	-
4 PLC ± 0.3		WEIGHT	-		
ANGLES ± 3°		CUSTOMER DRAWING			
FINISH		SCALE	SHEET	REV	
		3:1	4 OF 6	D	



SD MEMORY CARD CONNECTOR
 PUSH PUSH TYPE

LOC J	DIST /	REVISIONS		
P	LTR	DESCRIPTION	DATE	DWN
	-	SEE SHEET 1	-	-
				APVD
				-



Pin Assignment						
Pin#	SD Mode			SPI Mode		
	Name	Type	Description	Name	Type	Description
1	CD/DAT3	I/O/PP	Card Detect/ Data Line[Bit 3]	CS	I	Chip Select(neg true)
2	CMD	PP	Command/Response	DI	I	Data In
3	Vss1	S	Supply voltage ground	VSS	S	Supply voltage ground
4	Vdd	S	Supply voltage	VDD	S	Supply voltage
5	CLK	I	Clock	SCLK	I	Clock
6	Vss2	S	Supply voltage ground	VSS2	S	Supply voltage ground
7	DAT0	I/O/PP	Data Line[Bit 0]	DO	O/PP	Data Out
8	DAT1	I/O/PP	Data Line[Bit 1]	RSV		
9	DAT2	I/O/PP	Data Line[Bit 2]	RSV		

Switch pin Assignment	
	Card detect switch
	Common terminal
	Write protect switch

THIS DRAWING IS A CONTROLLED DOCUMENT.		DWN -	TE Connectivity		
DIMENSIONS: MM		CHK -			
		APVD -	SD MEMORY CARD CONNECTOR PUSH PUSH TYPE		
TOLERANCES UNLESS OTHERWISE SPECIFIED:		PRODUCT SPEC -	-		
0 PLC ± 0.3 1 PLC ± 0.3 2 PLC ± 0.3 3 PLC ± 0.3 4 PLC ± 0.3 ANGLES ± 3°		APPLICATION SPEC -	SIZE	CAGE CODE	DRAWING NO
MATERIAL		WEIGHT	A3	00779	C-1939115
FINISH		CUSTOMER DRAWING		SCALE	REV
				4:1	D
				SHEET	5 OF 6

4

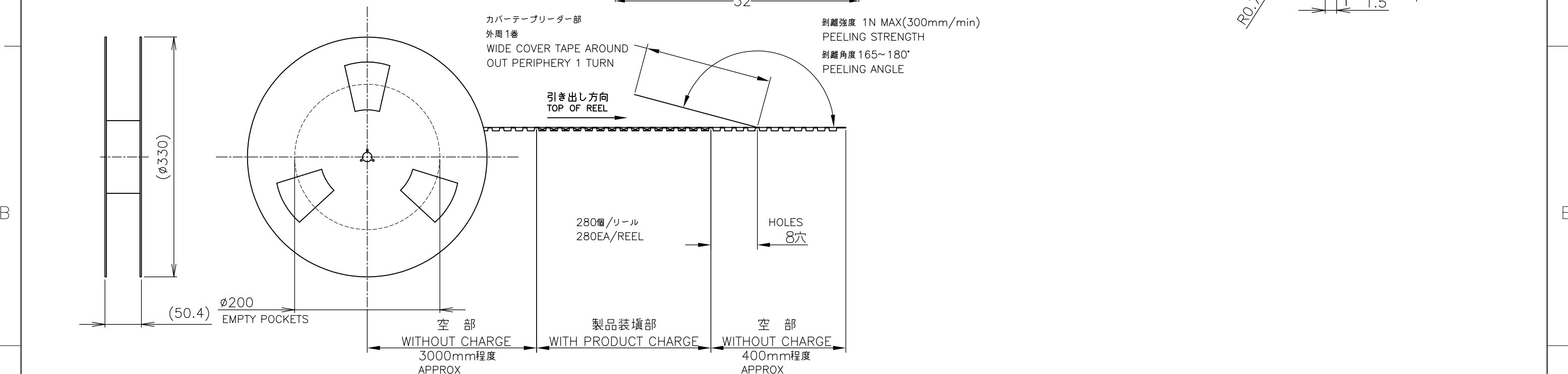
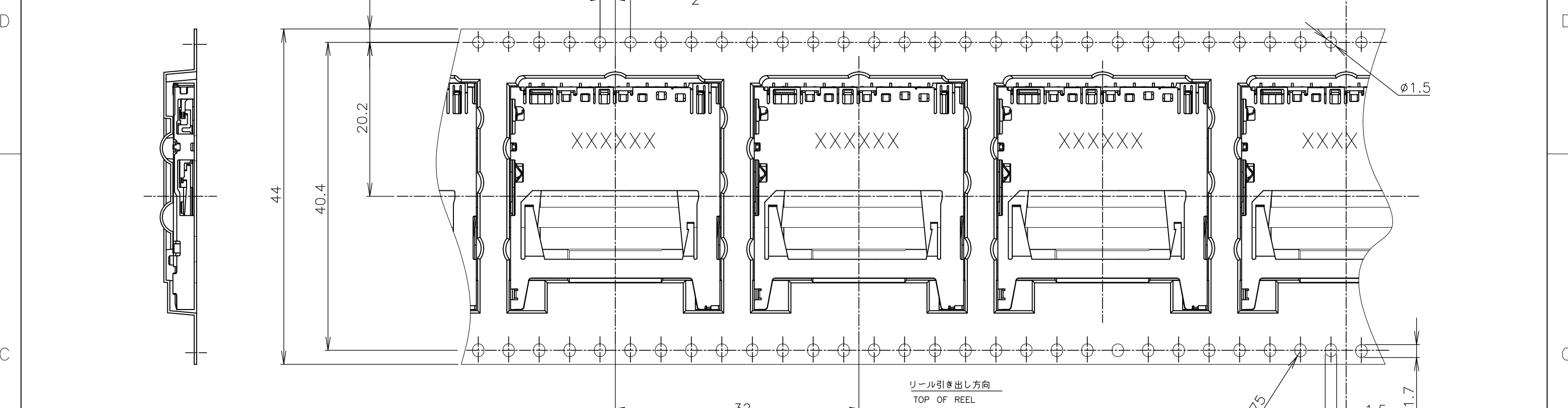
3

2

1

THIS DRAWING IS UNPUBLISHED. RELEASED FOR PUBLICATION MAR , 2003.
 © COPYRIGHT 2004 By Tyco Electronics JAPAN G.K. ALL RIGHTS RESERVED.

LOC	DIST	REVISIONS			
P	LTR	DESCRIPTION	DATE	DWN	APVD
J	/	SEE SHEET 1	-	-	-



THIS DRAWING IS A CONTROLLED DOCUMENT.		DWN	-	STE TE Connectivity	
DIMENSIONS: MM		CHK	-		
TOLERANCES UNLESS OTHERWISE SPECIFIED:		APVD	-	NAME	
0 PLC	± 0.3	PRODUCT SPEC	-	SD MEMORY CARD CONNECTOR PUSH PUSH TYPE	
1 PLC	± 0.3	APPLICATION SPEC	-	SIZE	A3
2 PLC	± 0.3	WEIGHT	-	CAGE CODE	00779
3 PLC	± 0.3	CUSTOMER DRAWING	-	DRAWING NO	C-1939115
4 PLC	± 0.3		-	RESTRICTED TO	-
ANGLES	± 3°		-	SCALE	3:1
MATERIAL	FINISH		-	SHEET	6 OF 6
			-	REV	D