



Chipsmall Limited consists of a professional team with an average of over 10 year of expertise in the distribution of electronic components. Based in Hongkong, we have already established firm and mutual-benefit business relationships with customers from,Europe,America and south Asia,supplying obsolete and hard-to-find components to meet their specific needs.

With the principle of "Quality Parts,Customers Priority,Honest Operation,and Considerate Service",our business mainly focus on the distribution of electronic components. Line cards we deal with include Microchip,ALPS,ROHM,Xilinx,Pulse,ON,Everlight and Freescale. Main products comprise IC,Modules,Potentiometer,IC Socket,Relay,Connector.Our parts cover such applications as commercial,industrial, and automotives areas.

We are looking forward to setting up business relationship with you and hope to provide you with the best service and solution. Let us make a better world for our industry!



Contact us

Tel: +86-755-8981 8866 Fax: +86-755-8427 6832

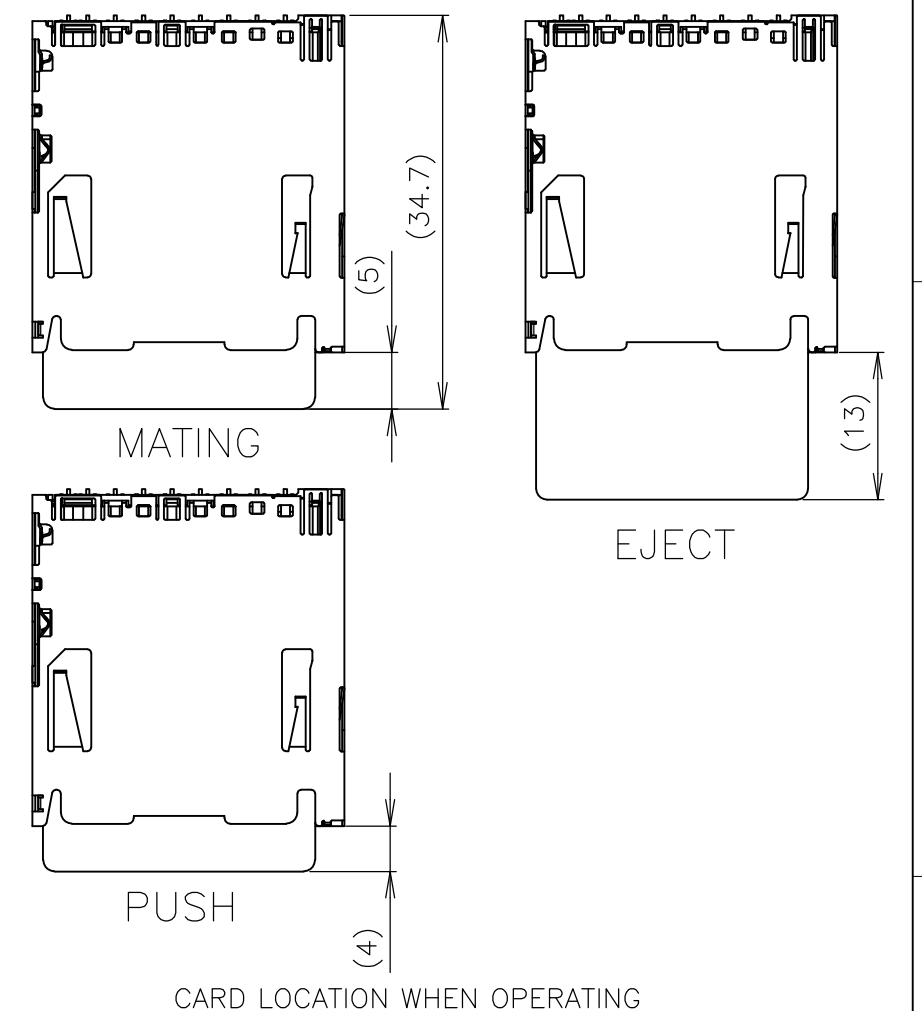
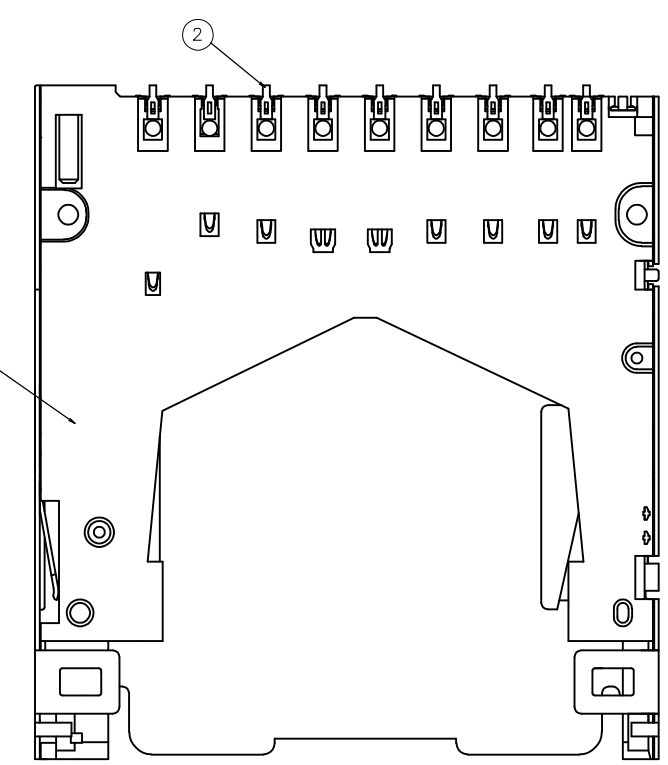
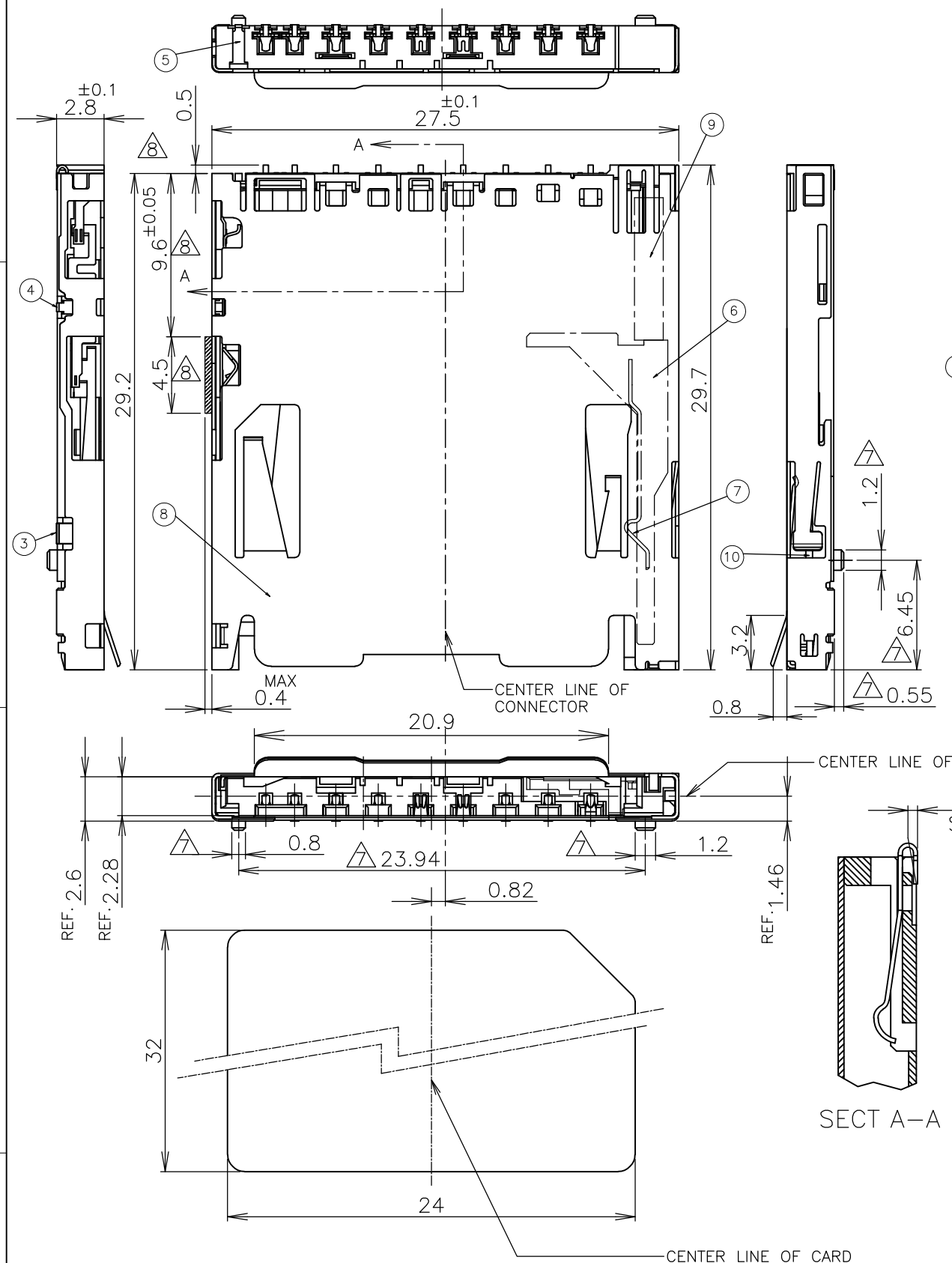
Email & Skype: info@chipsmall.com Web: www.chipsmall.com

Address: A1208, Overseas Decoration Building, #122 Zhenhua RD., Futian, Shenzhen, China



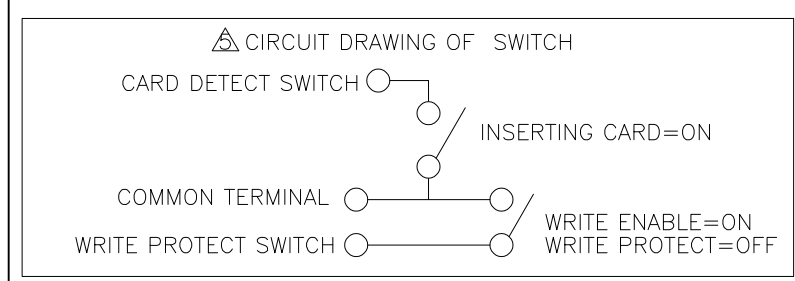
THIS DRAWING IS UNPUBLISHED. RELEASED FOR PUBLICATION MAR , 2003.
 © COPYRIGHT 2004 By - ALL RIGHTS RESERVED.

LOC	DIST	REVISIONS 変更					
J	/	P	LTR	DESCRIPTION	DATE	DWN	APVD
		D		REVISED	04SEP2015	M.T	K.K



- ▲ カード認識スイッチ用パッド
- ▲ コモン端子用パッド
- ▲ ライトプロテクトスイッチ用パッド
- 4 カード挿入時の接触の順番
PIN #3,4 — PIN #2,5,6,7,8,9
カード認識スイッチ — PIN #1
- ▲ スイッチの回路図
- 6 本製品は浸漬による洗浄は行わないこと。
- ▲ ボス無しタイプには、適用なし。
- ▲ スイッチ可動エリア
- ▲ 材料 & 仕上げはテーブルを参照のこと。
- 10 コプラナリティは、0.1mm以下。
- ▲ PAD FOR CARD DETECT SWITCH
- ▲ PAD FOR COMMON TERMINAL
- ▲ PAD FOR WRITE PROTECT SWITCH
- 4 THE SEQUENCE OF CONTACT DURING CARD INSERTION
PIN #3,4 — PIN #2,5,6,7,8,9
CARD DETECT SWITCH — PIN #1
- ▲ CIRCUIT DRAWING OF SWITCH
- 6 DON'T WASH BY IMMERSING THE CONNECTOR IN FLUID
- ▲ NO APPLIED TO WITHOUT BOSS TYPE.
- ▲ SWITCH MOVING AREA
- ▲ REFER TO THE TABLE FOR MATERIAL AND FINISH.
- 10 COPLANARITY IS 0.1MM MAX.

ITEM	DESCRIPTION	MATERIAL	FINISH	QTY
10	CAM ROD	SUS	-	1
9	COIL SPRING	SWP	-	1
8	SHELL	COPPER ALLOY	TIN PLATE	1
7	HOOK SPRING	SUS	-	1
6	SLIDER	THERMOPLASTIC	-	1
5	SWITCH C	COPPER ALLOY	Au ON CONTACT AREA OVER Ni AND Sn ON SOLDER TINE OVER Ni.	1
4	SWITCH B	COPPER ALLOY	Au ON CONTACT AREA AND SOLDER TINE OVER Ni.	1
3	SWITCH A	COPPER ALLOY	Au ON CONTACT AREA OVER Ni AND Sn ON SOLDER TINE OVER Ni.	1
2	CONTACT	COPPER ALLOY	Au ON CONTACT AREA OVER Ni AND Sn ON SOLDER TINE OVER Ni.	1
1	HOUSING	THERMOPLASTIC	-	1
ITEM	DESCRIPTION	▲ MATERIAL	▲ FINISH	QTY



-1, -2 : AS SHOWN

WITHOUT	1939870-2
WITH	1939870-1
BOSS	PART NUMBER

THIS DRAWING IS A CONTROLLED DOCUMENT.

DIMENSIONS: 単位: 耗 MM. TOLERANCES UNLESS OTHERWISE SPECIFIED: 一般公差

0 PLC	± 0.3
1 PLC	± 0.3
2 PLC	± 0.3
3 PLC	± 0.3
4 PLC	± 0.3
ANGLES	± 3'

MATERIAL 材料. FINISH 仕上.

DWN Y.OKOSHI 05SEP06. CHK Y.NAKAZAWA 05SEP06. APVD Y.YAMAMOTO 05SEP06.

PRODUCT SPEC 製品規格 108-78220. APPLICATION SPEC 取付適用規格.

WEIGHT. CUSTOMER DRAWING.

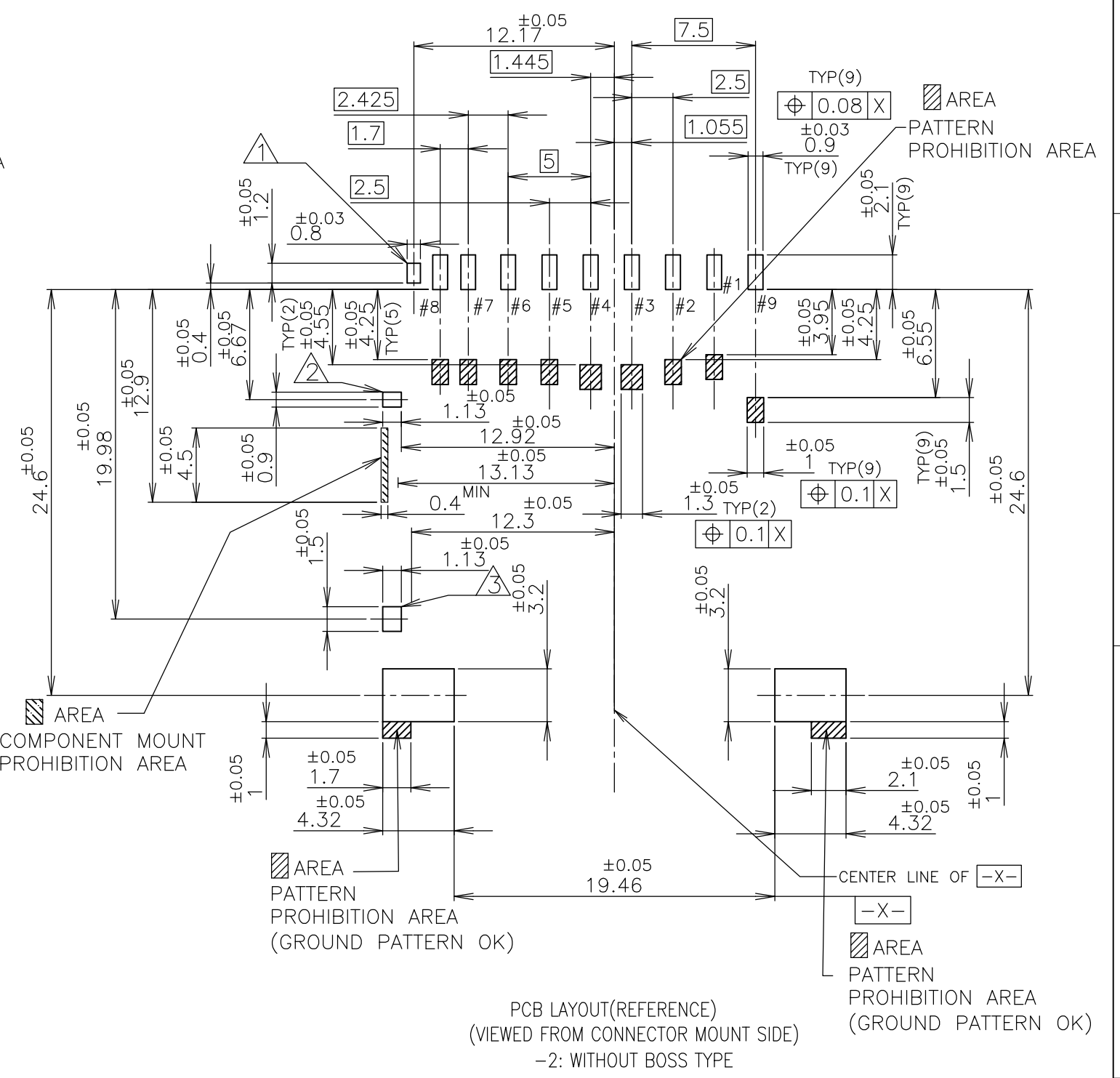
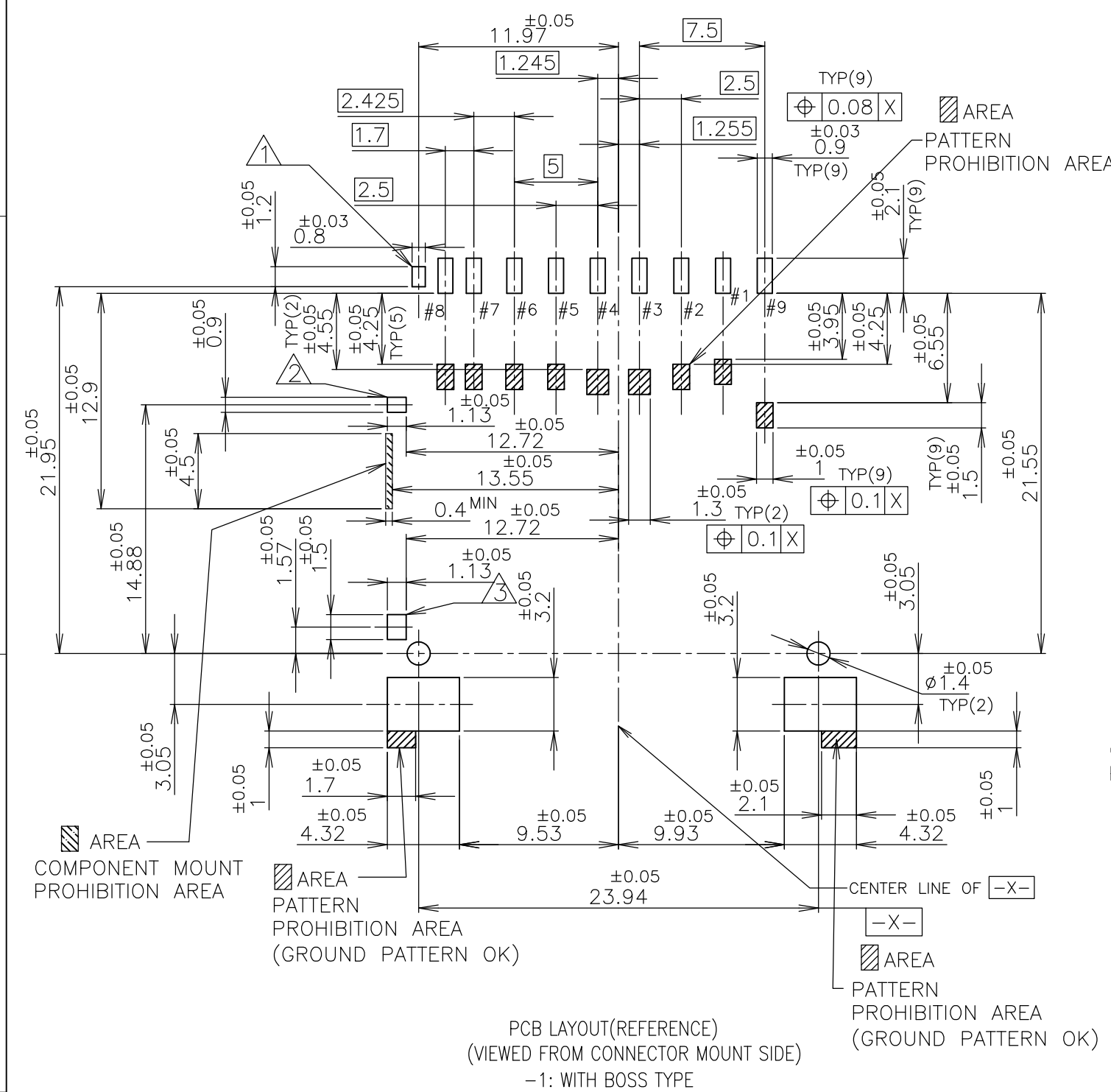
SCALE 尺度 3:1. SHEET 1 OF 4. REV D.

SD MEMORY CARD CONNECTOR PUSH PUSH TYPE STANDARD H0. SIZE A3. CAGE CODE 00779. DRAWING NO G-1939870. RESTRICTED TO 番号.

STE TE Connectivity

THIS DRAWING IS UNPUBLISHED. RELEASED FOR PUBLICATION MAR , 2003.
 © COPYRIGHT 2004 By - ALL RIGHTS RESERVED.

LOC	DIST	REVISIONS		
		P	LTR	DESCRIPTION
J	/	-	-	SEE SHEET 1



THIS DRAWING IS A CONTROLLED DOCUMENT.		DWN	STE TE Connectivity		
DIMENSIONS: 單位: 耗 MM		CHK	NAME 名稱		
TOLERANCES UNLESS OTHERWISE SPECIFIED: 一般公差		APVD	SD MEMORY CARD CONNECTOR PUSH PUSH TYPE STANDARD H0		
0 PLC ± 0.3		PRODUCT SPEC 製品規格	SIZE	CAGE CODE	DRAWING NO 番号
1 PLC ± 0.3		APPLICATION SPEC 取付適用規格	A3	00779	G-1939870
2 PLC ± 0.3		WEIGHT	RESTRICTED TO		
3 PLC ± 0.3		CUSTOMER DRAWING			
4 PLC ± 0.3		SCALE 尺度 3:1		SHEET 2 OF 4	REV D
ANGLES ± 3'					
MATERIAL 材料					
FINISH 仕上					

THIS DRAWING IS UNPUBLISHED.

RELEASED FOR PUBLICATION MAR , 2003.

© COPYRIGHT 2004 By -

ALL RIGHTS RESERVED.

LOC
J

DIST
-

REVISIONS
變更

P LTR

DESCRIPTION

DATE

DWN

APVD

SEE SHEET 1

PIN ASSIGNMENT

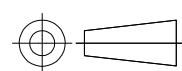
PIN#	SD MODE			SPI MODE		
	NAME	TYPE	DESCRIPTION	NAME	TYPE	DESCRIPTION
1	CD/DAT3	I/O/PP	CARD DETECT/ DATA LINE[BIT 3]	CS	I	CHIP SELECT(NEG TRUE)
2	CMD	PP	COMMAND/RESPONSE	DI	I	DATA IN
3	Vss1	S	SUPPLY VOLTAGE GROUND	VSS	S	SUPPLY VOLTAGE GROUND
4	Vdd	S	SUPPLY VOLTAGE	VDD	S	SUPPLY VOLTAGE
5	CLK	I	CLOCK	SCLK	I	CLOCK
6	Vss2	S	SUPPLY VOLTAGE GROUND	VSS2	S	SUPPLY VOLTAGE GROUND
7	DAT0	I/O/PP	DATA LINE[BIT 0]	DO	O/PP	DATA OUT
8	DAT1	I/O/PP	DATA LINE[BIT 1]	RSV		
9	DAT2	I/O/PP	DATA LINE[BIT 2]	RSV		

SWITCH PIN ASSIGNMENT

△1	CARD DETECT SWITCH
△2	COMMON TERMINAL
△3	WRITE PROTECT SWITCH

THIS DRAWING IS A CONTROLLED DOCUMENT.

DIMENSIONS:
單位: 耗
MM



TOLERANCES UNLESS
OTHERWISE SPECIFIED:
一般公差

0 PLC	± 0.3
1 PLC	± 0.3
2 PLC	± 0.3
3 PLC	± 0.3
4 PLC	± 0.3
ANGLES	± 3°

MATERIAL
材料

FINISH
仕上

DWN

CHK

APVD

PRODUCT SPEC
製品規格

APPLICATION SPEC
取付適用規格

WEIGHT

NAME
名称



SD MEMORY CARD CONNECTOR
PUSH PUSH TYPE
STANDARD H0

SIZE

CAGE CODE

DRAWING NO
番号

RESTRICTED TO

A3

00779

C-1939870

CUSTOMER DRAWING

SCALE
尺度 4:1

SHEET
3 OF 4

REV
D

4

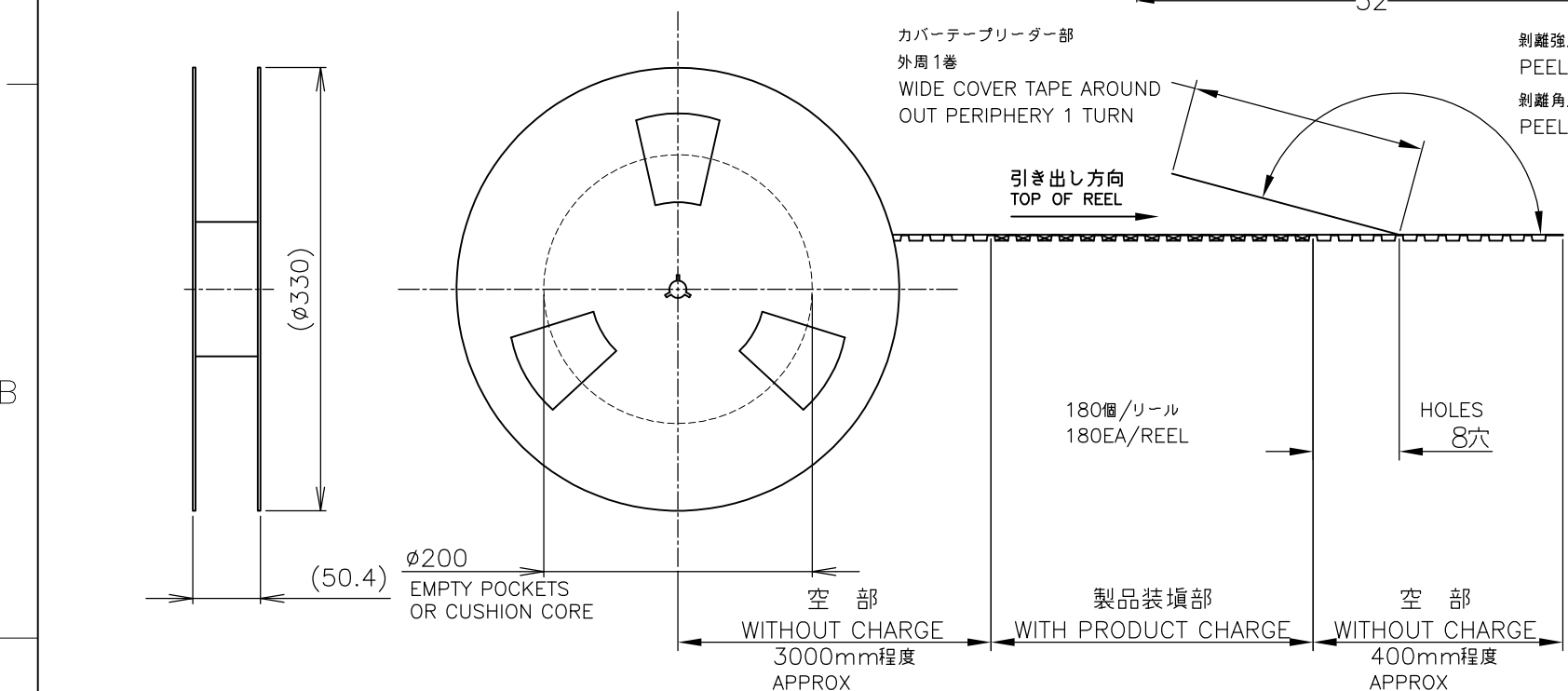
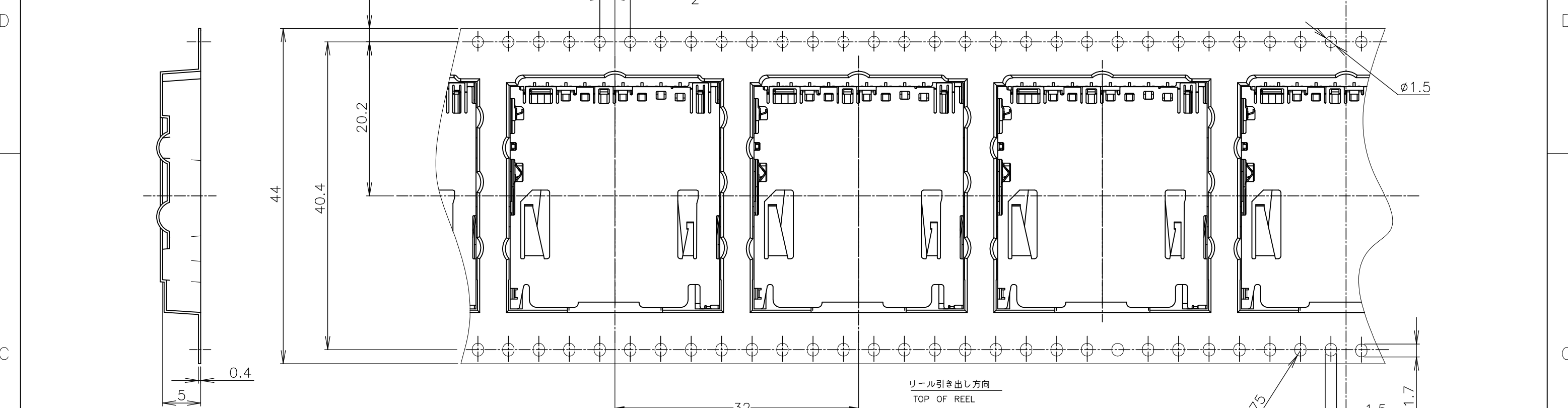
3

2

1

THIS DRAWING IS UNPUBLISHED. RELEASED FOR PUBLICATION MAR , 2003.
 © COPYRIGHT 2004 By - ALL RIGHTS RESERVED.

LOC	DIST	REVISIONS		
J	/	P	LTR	変更
		DESCRIPTION		
				DATE
				DWN
				APVD
		SEE SHEET 1		



THIS DRAWING IS A CONTROLLED DOCUMENT.		DWN	STE TE Connectivity		
		CHK	NAME 名称		
		APVD	SD MEMORY CARD CONNECTOR PUSH PUSH TYPE STANDARD H0		
DIMENSIONS: 単位: 耗 MM		PRODUCT SPEC 製品規格		SIZE	CAGE CODE
TOLERANCES UNLESS OTHERWISE SPECIFIED: 一般公差		APPLICATION SPEC 取付適用規格		DRAWING NO 番号	RESTRICTED TO
MATERIAL 材料		WEIGHT		A3	00779
FINISH 仕上		CUSTOMER DRAWING		C-1939870	
0 PLC ± 0.3		SCALE 尺度 2:1		SHEET 4 OF 4	REV D
1 PLC ± 0.3					
2 PLC ± 0.3					
3 PLC ± 0.3					
4 PLC ± 0.3					
ANGLES ± 3'					