



Chipsmall Limited consists of a professional team with an average of over 10 year of expertise in the distribution of electronic components. Based in Hongkong, we have already established firm and mutual-benefit business relationships with customers from,Europe,America and south Asia,supplying obsolete and hard-to-find components to meet their specific needs.

With the principle of “Quality Parts,Customers Priority,Honest Operation,and Considerate Service”,our business mainly focus on the distribution of electronic components. Line cards we deal with include Microchip,ALPS,ROHM,Xilinx,Pulse,ON,Everlight and Freescale. Main products comprise IC,Modules,Potentiometer,IC Socket,Relay,Connector.Our parts cover such applications as commercial,industrial, and automotives areas.

We are looking forward to setting up business relationship with you and hope to provide you with the best service and solution. Let us make a better world for our industry!



Contact us

Tel: +86-755-8981 8866 Fax: +86-755-8427 6832

Email & Skype: info@chipsmall.com Web: www.chipsmall.com

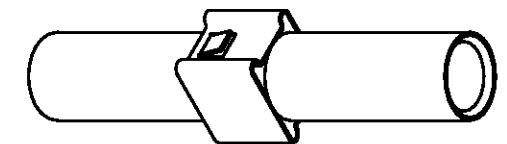
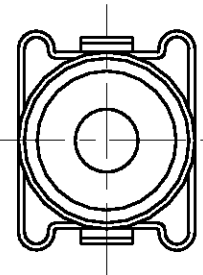
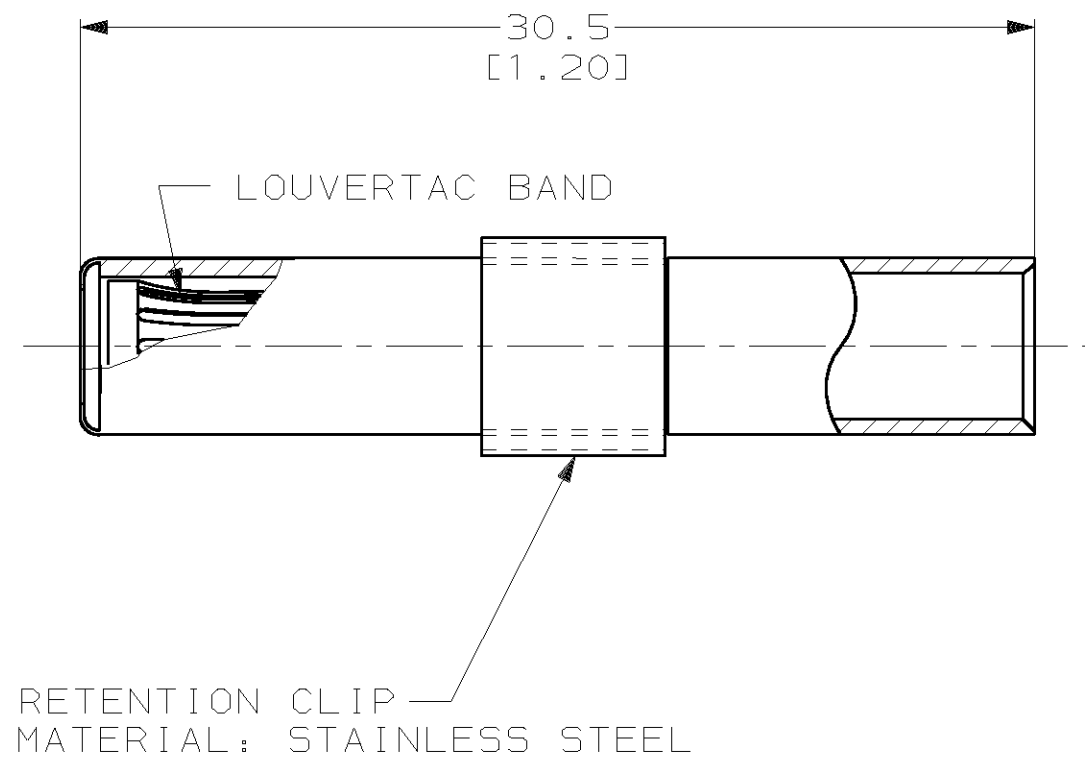
Address: A1208, Overseas Decoration Building, #122 Zhenhua RD., Futian, Shenzhen, China



THIS DRAWING IS UNPUBLISHED. RELEASED FOR PUBLICATION, 19
© COPYRIGHT 19 BY AMP INCORPORATED. ALL INTERNATIONAL RIGHTS RESERVED.

LOC	DIST	P	F	REVISIONS			
ZONE	LTR	DESCRIPTION	DATE	APPD			
CH	11						
		D	EC 0B20-0791-98	30/JUN/98	DAP		
		C	EC 0B20-0671-98	27/MAY/98	RNP		
		B	ECN 95013002	01-30-95	CMS		

- 1. MATERIAL: COPPER ALLOY
- 2. FINISH: 30 MICROINCHES MIN. GOLD OVER 50 MICROINCHES MIN. NICKEL.
- 3. WIRE BARREL WILL ACCEPT #8 AWG WIRE
- 4. MATES WITH AMP P/N 193991-X.
- 5. FINISH: 200 MICROINCHES MIN. SILVER OVER 40 MICROINCHES MIN. NICKEL.
- 6. ALL DIMENSIONS ARE REFERENCE ONLY.



OBSOLETE	5	193990-2
	2	193990-1
	FINISH	PART NO

DO NOT SCALE PRINT. UNLESS SPECIFIED DIMENSIONS IN mm [INCHES] TOLERANCES ON: 2 PLC DEC ± - 3 PLC DEC ± - ANGLES ± -		DR 04-13-94 D.A.P.	AMP AMP Incorporated Harrisburg, PA 17105-3608		
MATERIAL	1	CHK -			
FINISH	2 5	APPD -	NAME SOCKET ASSEMBLY, TYPE XII HIGH CURRENT #8 AWG		
		APPD -	SIZE	CAGE CODE	DRAWING NO
		PRODUCT SPEC	B	00779	C-193990
		APPLICATION SPEC	SCALE	SHEET	
		WEIGHT -	1 OF 1		

THIS DRAWING IS A CONTROLLED DOCUMENT FOR AMP INCORPORATED. IT IS SUBJECT TO CHANGE AND THE CONTROLLING ENGINEERING ORGANIZATION SHOULD BE CONTACTED FOR THE LATEST REVISION.