



Chipsmall Limited consists of a professional team with an average of over 10 year of expertise in the distribution of electronic components. Based in Hongkong, we have already established firm and mutual-benefit business relationships with customers from,Europe,America and south Asia,supplying obsolete and hard-to-find components to meet their specific needs.

With the principle of “Quality Parts,Customers Priority,Honest Operation,and Considerate Service”,our business mainly focus on the distribution of electronic components. Line cards we deal with include Microchip,ALPS,ROHM,Xilinx,Pulse,ON,Everlight and Freescale. Main products comprise IC,Modules,Potentiometer,IC Socket,Relay,Connector.Our parts cover such applications as commercial,industrial, and automotives areas.

We are looking forward to setting up business relationship with you and hope to provide you with the best service and solution. Let us make a better world for our industry!



Contact us

Tel: +86-755-8981 8866 Fax: +86-755-8427 6832

Email & Skype: info@chipsmall.com Web: www.chipsmall.com

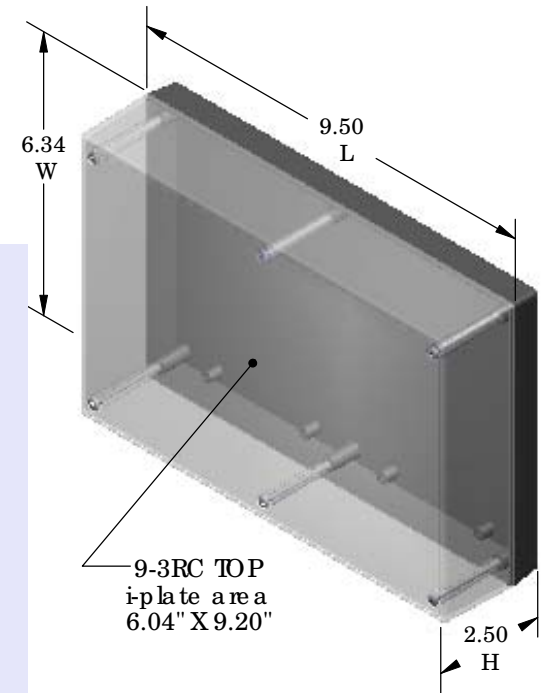
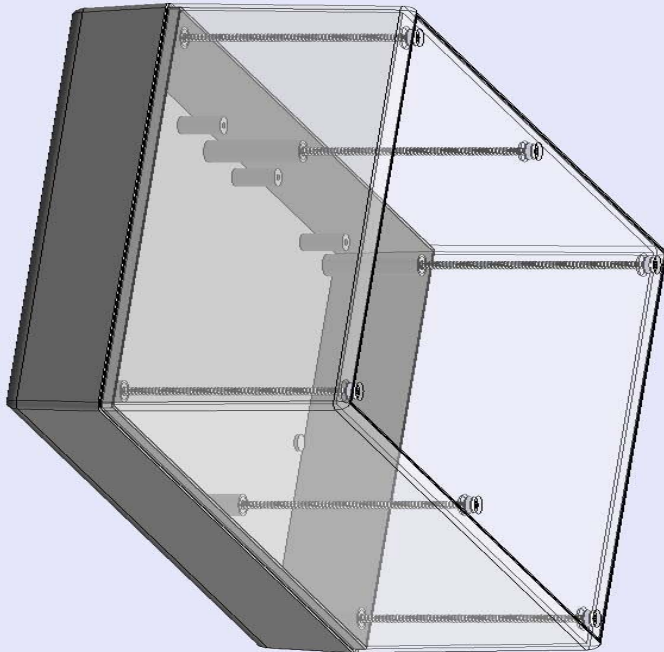
Address: A1208, Overseas Decoration Building, #122 Zhenhua RD., Futian, Shenzhen, China



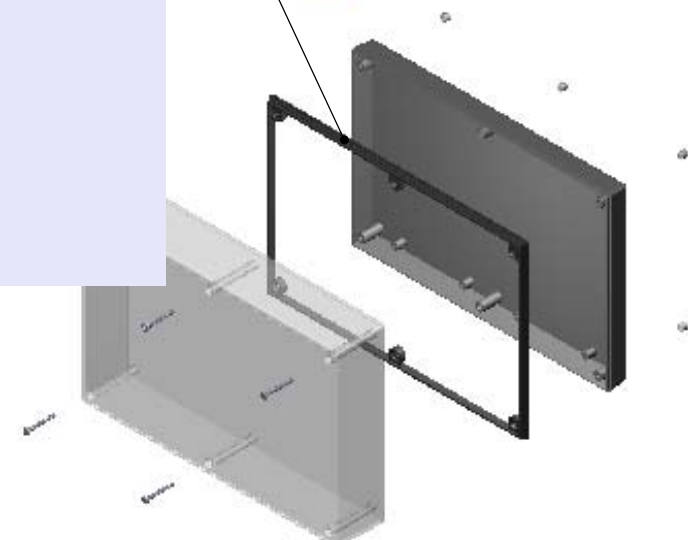
SERPAC 193RC (3D exploded)

Electronic Enclosures

- Click on image to show toolbar. Use ▶|| to Play/Pause Animation*.
- Left click and drag on image to move 3D model.



Waterproofing gasket
PS19 optional
see note #2



- a) Zoom in & out with center wheel.
 - b) Pause at any moment to view and or print views.
 - c) Change the views to ortho and section views if needed from the Views pull down menu.
 - d) Explore options included in the tool bar like: Views, Transparency of model, Lighting type, etc.
- *(To have full interaction with the animated PDF files, please use free Adobe Reader 9 or newer version.)

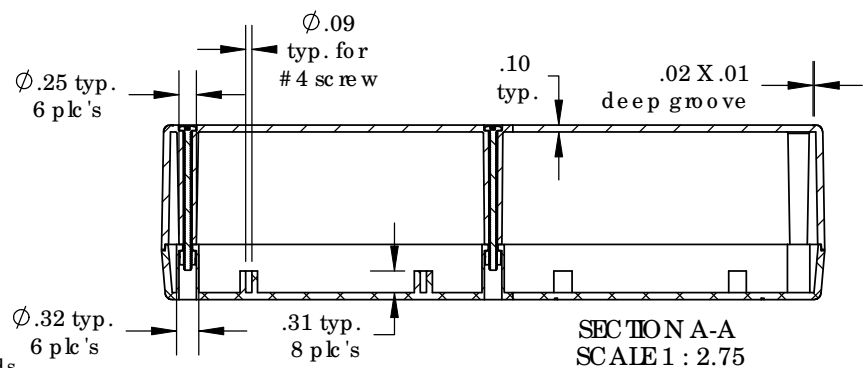
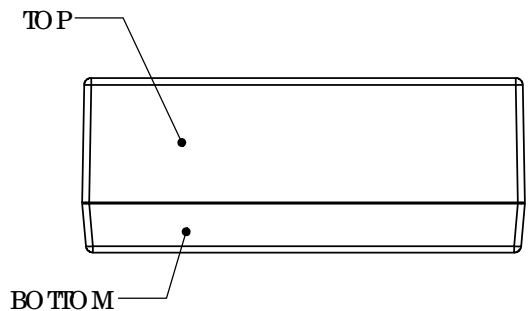
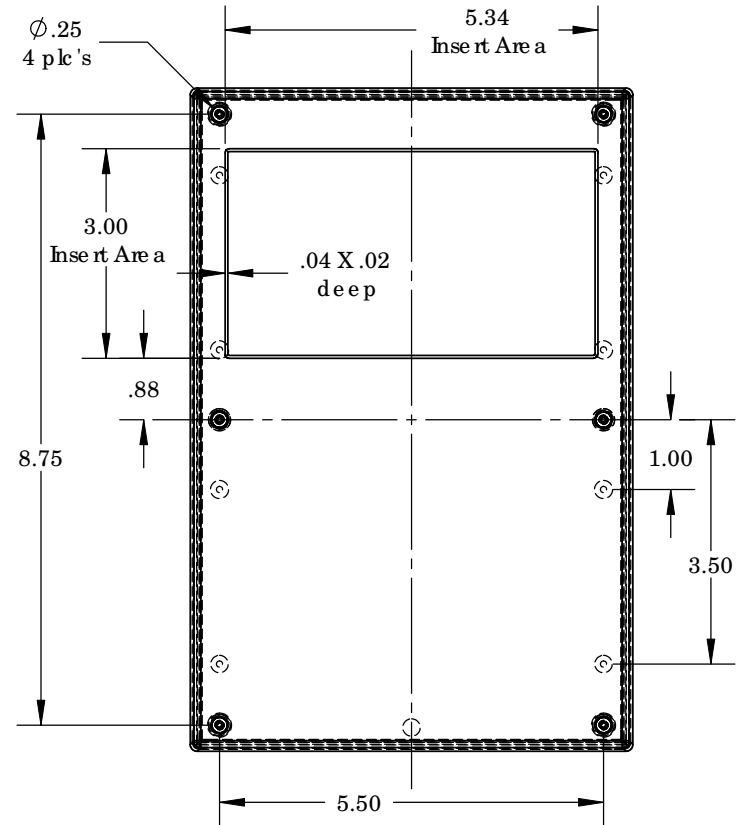
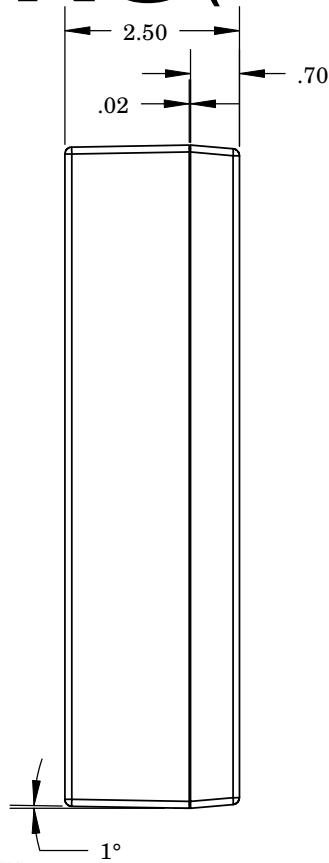
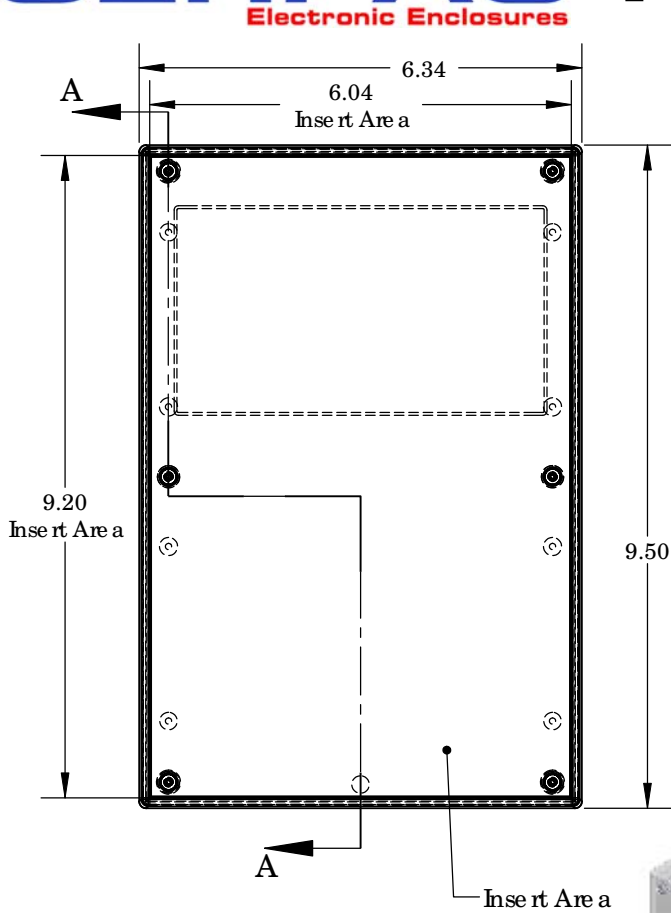
PART NO.	DESCRIPTION (Included)	ACCESSORIES (Optional) More available; see website	
		PART NO.	DESCRIPTION
9-3RC	TOP (Clear Polycarbonate)		
19	BOTTOM	50	Non-skid Feet
6019	4-40 SCREW (6)	PS19	Perimeter Seal
6102	THREADED INSERT	6004	Screw for circuit board

- Notes: Enclosure weight .81 lbs / 368 gm
- 1) Enclosure meets or exceeds IP40 and NEMA 1
 - 2) When used with PS19 the enclosure meets or exceeds IP 67 and NEMA 4X, 12 and 13 MIL-STD-810G 506.5
 - 3) Circuit Board drawings can be downloaded at:
<http://www.serpac.com/Products/Series/x9x/drawings/19X-CB.pdf>
 - 4) All components are RoHS compliant.

ALL DIMENSIONS ARE ±.010" 5/13/10 (1 of 2)
2009 Wright Ave. La Verne, CA 91750
Ph. (626) 331-0517 Ex. (626) 331-8584 serpac.com

SERPAC 193RC (user print)

Electronic Enclosures



PART NO.	DESCRIPTION (Included)	ACCESSORIES (Optional) More available; see website	
9-3RC	TOP (Clear Polycarbonate)	PART NO.	DESCRIPTION
19	BOTTOM	50	Non-skid Feet
6019	4-40 SCREW (6)	PS19	Perimeter Seal
6102	THREADED INSERT	6004	Screw for circuit board

Notes: Enclosure weight .81 lbs/ 368 gm
 1) Enclosure meets or exceeds IP40 and NEMA 1
 2) When used with PS19 the enclosure meets or exceeds IP 67 and NEMA 4X, 12 and 13 MIL-STD-810G 506.5
 3) Circuit Board drawings can be downloaded at:
<http://www.serpac.com/Products/Series/x9x/drawings/19X-CB.pdf>
 4) All components are RoHS Compliant.

ALL DIMENSIONS ARE ±.010" 5/13/10 (2 of 2)
 2009 Wright Ave. La Verne, CA 91750
 Ph. (626) 331-0517 Ex. (626) 331-8584 www.serpac.com