



Chipsmall Limited consists of a professional team with an average of over 10 year of expertise in the distribution of electronic components. Based in Hongkong, we have already established firm and mutual-benefit business relationships with customers from,Europe,America and south Asia,supplying obsolete and hard-to-find components to meet their specific needs.

With the principle of “Quality Parts,Customers Priority,Honest Operation,and Considerate Service”,our business mainly focus on the distribution of electronic components. Line cards we deal with include Microchip,ALPS,ROHM,Xilinx,Pulse,ON,Everlight and Freescale. Main products comprise IC,Modules,Potentiometer,IC Socket,Relay,Connector.Our parts cover such applications as commercial,industrial, and automotives areas.

We are looking forward to setting up business relationship with you and hope to provide you with the best service and solution. Let us make a better world for our industry!



Contact us

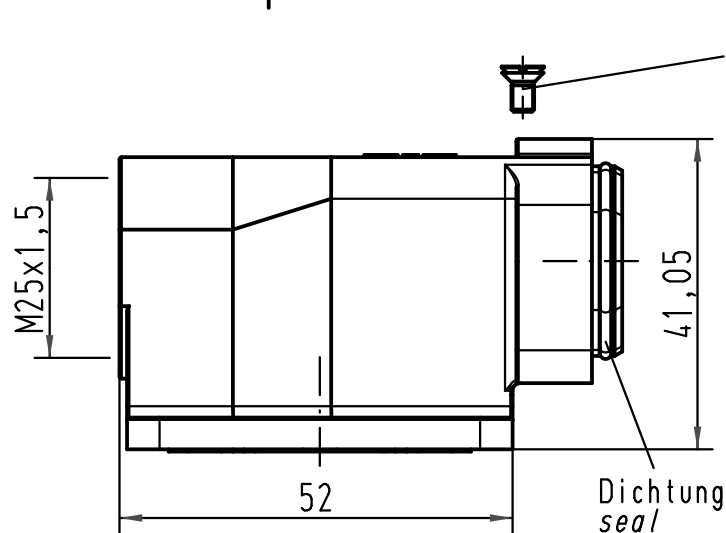
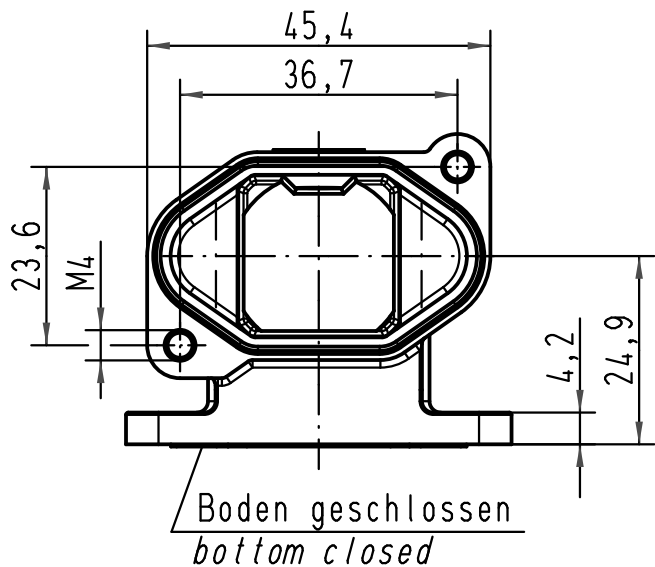
Tel: +86-755-8981 8866 Fax: +86-755-8427 6832

Email & Skype: info@chipsmall.com Web: www.chipsmall.com

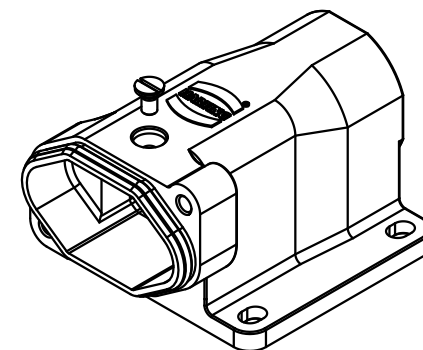
Address: A1208, Overseas Decoration Building, #122 Zhenhua RD., Futian, Shenzhen, China



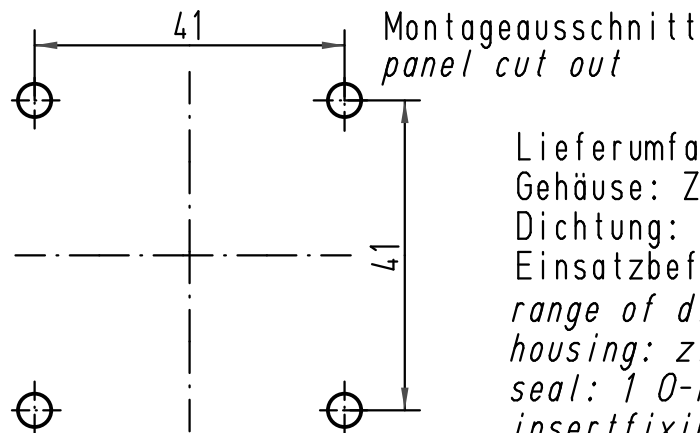
A



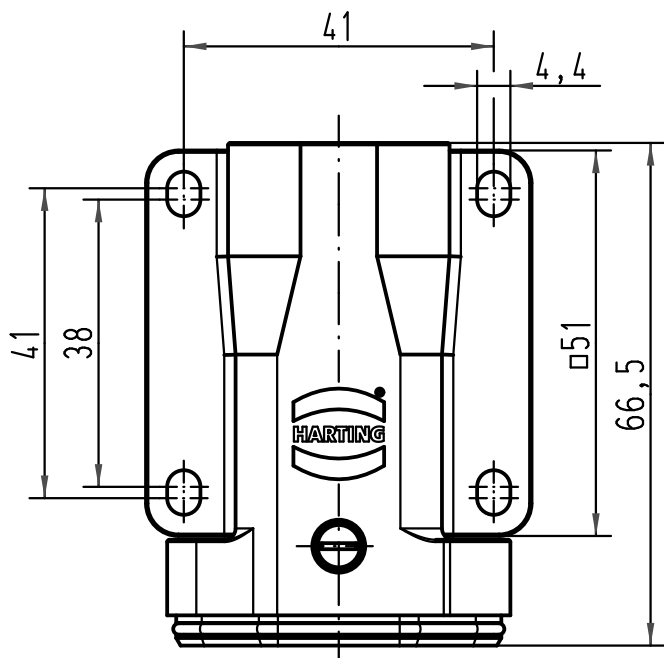
Befestigungsschraube M3x6
lose beigelegt
fixingscrew M3x6
enclosed separately



B



C



Lieferumfang:
Gehäuse: Zinkdruckguß, schwarzverchromt
Dichtung: 1 O-Ring
Einsatzbefestigungsschraube für IP 68
*range of divery:
housing: zinc die-casting alloy, black chrom
seal: 1 O-ring
insertfixingscrew for IP 68*

D

All Dimensions in mm Original Size DIN A 4		Techn. Character.			Nicht tolerierte Maß/Free size tolerances	
			Dat.	Name	Maßstab/Scale	Han 3HPR-asgw-M25 Anbausockelgehäuse lange Ausführung housing bulkead mounting long version
		Detail.	15.10.09	Rull		
		Insp.		Grie		
		Stand.				
B	09.09.10	Ho	HARTING Electric GmbH & Co. KG		1:1	TB 19 40 003 0951 Sub.
A			D-32339 Espelkamp			
Mod.	Dat.	Name				
						Blatt/ page