



Chipsmall Limited consists of a professional team with an average of over 10 year of expertise in the distribution of electronic components. Based in Hongkong, we have already established firm and mutual-benefit business relationships with customers from,Europe,America and south Asia,supplying obsolete and hard-to-find components to meet their specific needs.

With the principle of "Quality Parts,Customers Priority,Honest Operation,and Considerate Service",our business mainly focus on the distribution of electronic components. Line cards we deal with include Microchip,ALPS,ROHM,Xilinx,Pulse,ON,Everlight and Freescale. Main products comprise IC,Modules,Potentiometer,IC Socket,Relay,Connector.Our parts cover such applications as commercial,industrial, and automotives areas.

We are looking forward to setting up business relationship with you and hope to provide you with the best service and solution. Let us make a better world for our industry!



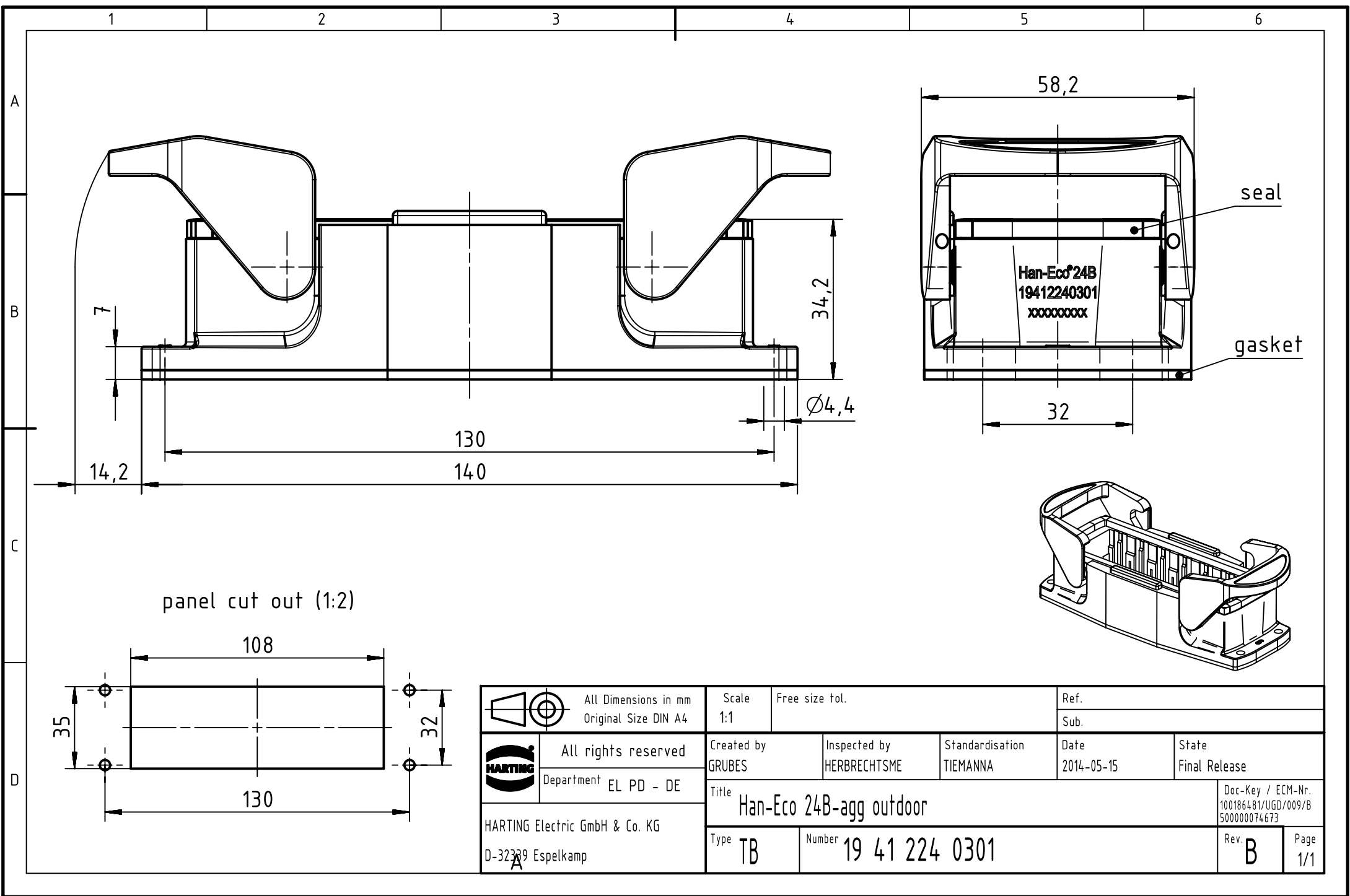
## Contact us

Tel: +86-755-8981 8866 Fax: +86-755-8427 6832

Email & Skype: info@chipsmall.com Web: www.chipsmall.com

Address: A1208, Overseas Decoration Building, #122 Zhenhua RD., Futian, Shenzhen, China





1 2 3 4 5 6

A

B

C

D

7

34,2

Ø4,4

130

140

14,2

58,2

seal

gasket

Han-Eco<sup>®</sup>24B  
19412240301  
xxxxxxxx

32

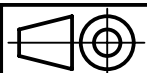
panel cut out (1:2)

108

35

32

130



All Dimensions in mm  
Original Size DIN A4

Scale  
1:1

Free size tol.

Ref.

Sub.



All rights reserved  
Department EL PD - DE

Created by  
GRUBES

Inspected by  
HERBRECHTSME

Standardisation  
TIEMANNA

Date  
2014-05-15

State  
Final Release

Title  
Han-Eco 24B-agg outdoor

Doc-Key / ECM-Nr.  
100186481/UGD/009/B  
500000074673

HARTING Electric GmbH & Co. KG  
D-32339 Espelkamp

Type  
TB

Number  
19 41 224 0301

Rev.  
B

Page  
1/1