



Chipsmall Limited consists of a professional team with an average of over 10 year of expertise in the distribution of electronic components. Based in Hongkong, we have already established firm and mutual-benefit business relationships with customers from,Europe,America and south Asia,supplying obsolete and hard-to-find components to meet their specific needs.

With the principle of “Quality Parts,Customers Priority,Honest Operation,and Considerate Service”,our business mainly focus on the distribution of electronic components. Line cards we deal with include Microchip,ALPS,ROHM,Xilinx,Pulse,ON,Everlight and Freescale. Main products comprise IC,Modules,Potentiometer,IC Socket,Relay,Connector.Our parts cover such applications as commercial,industrial, and automotives areas.

We are looking forward to setting up business relationship with you and hope to provide you with the best service and solution. Let us make a better world for our industry!



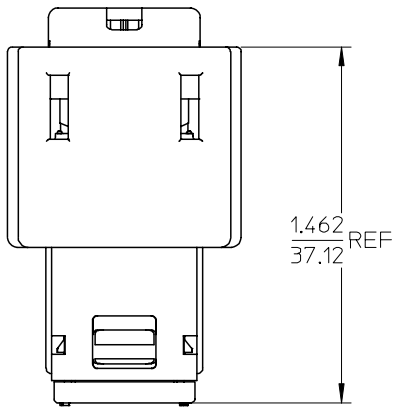
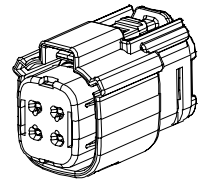
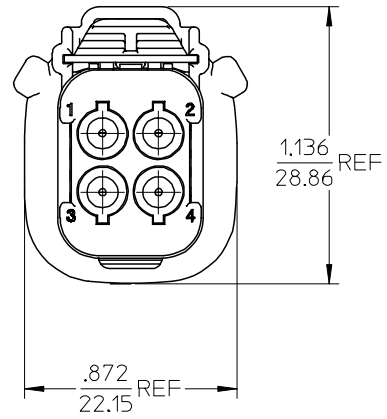
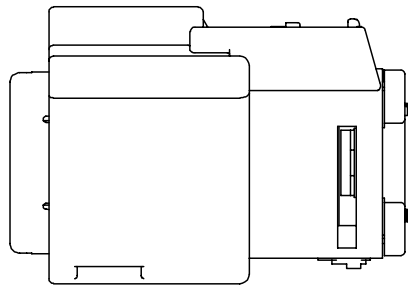
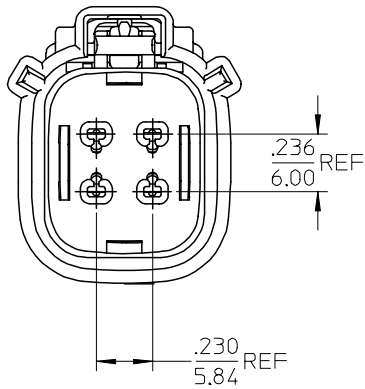
Contact us

Tel: +86-755-8981 8866 Fax: +86-755-8427 6832

Email & Skype: info@chipsmall.com Web: www.chipsmall.com

Address: A1208, Overseas Decoration Building, #122 Zhenhua RD., Futian, Shenzhen, China





(B)	194180019	4	16-14	NO
(B)	194180018	4	22-18	
	194180004	4	16-14	YES
	194180005	4	22-18	
	MATERIAL NUMBER	CIRCUIT SIZE	UL WIRE AWG	CPA

NOTES:
 1. ASSEMBLY BULK PACKAGED PER PK-19417-001.
 2. USE CONNECTOR WITH FEMALE CRIMP TERMINAL: SERIES 19420.

EC NO: ETC2005-0046 DRWN:DMYRICK 2004/08/31 CHKD:JPALWICK 2004/09/01 APPR:RDEROSS 2004/09/01	QUALITY SYMBOLS ▽ = 0 ▽ = 0	GENERAL TOLERANCES (UNLESS SPECIFIED) <table border="1"> <tr> <th></th> <th>mm</th> <th>INCH</th> </tr> <tr> <td>4 PLACES</td> <td>± ---</td> <td>± ---</td> </tr> <tr> <td>3 PLACES</td> <td>± ---</td> <td>± .015</td> </tr> <tr> <td>2 PLACES</td> <td>± 0.38</td> <td>± ---</td> </tr> <tr> <td>1 PLACE</td> <td>± ---</td> <td>± ---</td> </tr> </table> ANGULAR ± 1 °		mm	INCH	4 PLACES	± ---	± ---	3 PLACES	± ---	± .015	2 PLACES	± 0.38	± ---	1 PLACE	± ---	± ---	SCALE 2:1 DESIGN UNITS INCH DIMENSION STYLE IN/MM	THIRD ANGLE PROJECTION REVISE ON CAD ONLY
		mm	INCH																
4 PLACES	± ---	± ---																	
3 PLACES	± ---	± .015																	
2 PLACES	± 0.38	± ---																	
1 PLACE	± ---	± ---																	
DESCRIPTION 4 WAY RECEPTACLE ASSEMBLY	DRAFT WHERE APPLICABLE MUST REMAIN WITHIN DIMENSIONS	DRAWN BY JPAWLICK DATE 02/07/12 CHECKED BY RDEROSS DATE 02/07/13 APPROVED BY RDEROSS DATE 02/07/13	TITLE 4 WAY RECEPTACLE ASSEMBLY MOLEX INCORPORATED MATERIAL NO. SEE CHART DOCUMENT NO. SD-19418-001 SHEET NO. 1 OF 1																