



Chipsmall Limited consists of a professional team with an average of over 10 year of expertise in the distribution of electronic components. Based in Hongkong, we have already established firm and mutual-benefit business relationships with customers from,Europe,America and south Asia,supplying obsolete and hard-to-find components to meet their specific needs.

With the principle of “Quality Parts,Customers Priority,Honest Operation,and Considerate Service”,our business mainly focus on the distribution of electronic components. Line cards we deal with include Microchip,ALPS,ROHM,Xilinx,Pulse,ON,Everlight and Freescale. Main products comprise IC,Modules,Potentiometer,IC Socket,Relay,Connector.Our parts cover such applications as commercial,industrial, and automotives areas.

We are looking forward to setting up business relationship with you and hope to provide you with the best service and solution. Let us make a better world for our industry!



Contact us

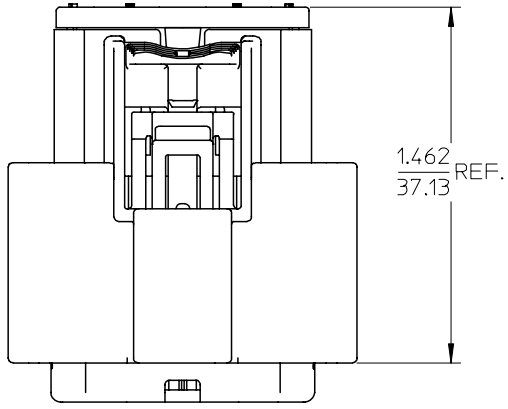
Tel: +86-755-8981 8866 Fax: +86-755-8427 6832

Email & Skype: info@chipsmall.com Web: www.chipsmall.com

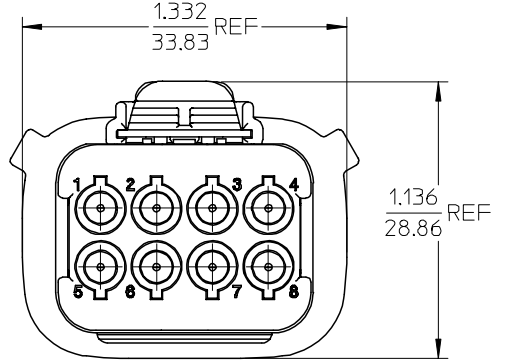
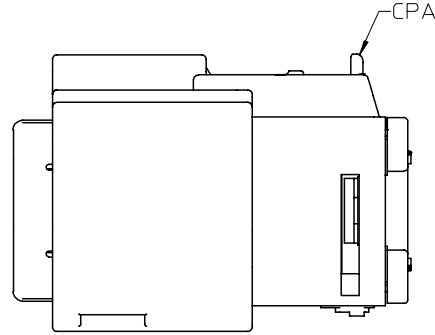
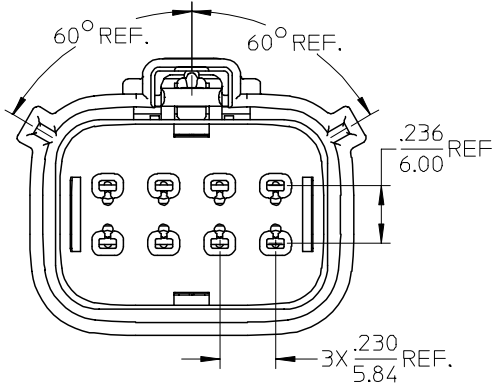
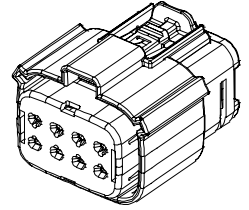
Address: A1208, Overseas Decoration Building, #122 Zhenhua RD., Futian, Shenzhen, China



10 9 8 7 6 5 4 3 2 1



194180023	16-14	NO
194180022	22-18	
194180002	16-14	YES
194180001	22-18	
MATERIAL NUMBER	UL WIRE AWG	CPA



NOTES:

1. MATERIALS:
HOUSING: POLYESTER (PBT), GLASS FILLED, UL94 V-0,
COLOR: BLACK.
SEALS: SILICONE RUBBER.
2. PRODUCT SPECIFICATION: PS-19417-001.
3. PACKAGING SPECIFICATION: PK-19418-001.
4. MATES WITH: 19419 SERIES PLUG ASSEMBLIES.
5. USE CONNECTOR WITH FEMALE CRIMP TERMINAL SERIES 19420.

REVISED EC NO: DRW: JPAMLCK 2005/08/30 CHKD: JPAMLCK 2005/09/12 APPR: JPAMLCK 2005/09/12 B1	DESCRIPTION QUALITY SYMBOLS ▽=0 ▽=0	GENERAL TOLERANCES (UNLESS SPECIFIED)		DIMENSION STYLE IN/MM		SCALE 1:1	DESIGN UNITS INCH	THIRD ANGLE PROJECTION
		4 PLACES ± --- ± ---	DRAWN BY BRUPERT	DATE 12/06/02	TITLE 8 WAY RECEPTACLE ASSEMBLY, KEY A POLARIZATION			
		3 PLACES ± --- ± .015	CHECKED BY JPAMLCK	DATE 12/06/02	MOLEX INCORPORATED			
		2 PLACES ± 0.38 ± --- 1 PLACE ± --- ± --- ANGULAR ± 1 °	APPROVED BY RDEROSS	DATE 12/06/02	MATERIAL NO. SEE CHART	DOCUMENT NO. SD-19418-003	SHEET NO. 1 OF 1	
DRAFT WHERE APPLICABLE MUST REMAIN WITHIN DIMENSIONS				THIS DRAWING CONTAINS INFORMATION THAT IS PROPRIETARY TO MOLEX INCORPORATED AND SHOULD NOT BE USED WITHOUT WRITTEN PERMISSION				

9 8 7 6 5 4 3 2 1