



Chipsmall Limited consists of a professional team with an average of over 10 year of expertise in the distribution of electronic components. Based in Hongkong, we have already established firm and mutual-benefit business relationships with customers from,Europe,America and south Asia,supplying obsolete and hard-to-find components to meet their specific needs.

With the principle of “Quality Parts,Customers Priority,Honest Operation,and Considerate Service”,our business mainly focus on the distribution of electronic components. Line cards we deal with include Microchip,ALPS,ROHM,Xilinx,Pulse,ON,Everlight and Freescale. Main products comprise IC,Modules,Potentiometer,IC Socket,Relay,Connector.Our parts cover such applications as commercial,industrial, and automotives areas.

We are looking forward to setting up business relationship with you and hope to provide you with the best service and solution. Let us make a better world for our industry!



## Contact us

Tel: +86-755-8981 8866 Fax: +86-755-8427 6832

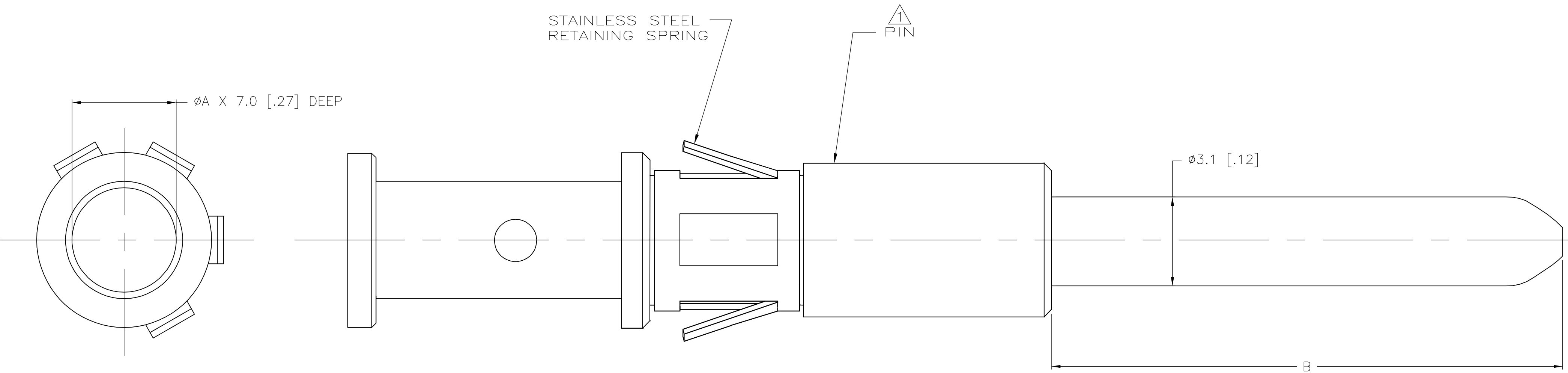
Email & Skype: info@chipsmall.com Web: www.chipsmall.com

Address: A1208, Overseas Decoration Building, #122 Zhenhua RD., Futian, Shenzhen, China



THIS DRAWING IS UNPUBLISHED. RELEASED FOR PUBLICATION  
 © COPYRIGHT BY TYCO ELECTRONICS CORPORATION. ALL RIGHTS RESERVED.

LOC	DIST	REVISIONS			
P	LTR	DESCRIPTION	DATE	DWN	APVD
FT	0	G1	REVISED PER ECO-06-29166	12/13/06	SS GS



HOT MATE

NOTE 2	FIRST	13.75 [.541]	ø3.68 [.145]	#10	1-194189-2
NOTE 2	FIRST	13.75 [.541]	ø4.60 [.181]	#8	1-194189-1
NOTE 3	SECOND	11.75 [.461]	ø2.67 [.105]	#12-#14	1-194189-0
NOTE 2	THIRD	9.75 [.384]	ø2.67 [.105]	#12-#14	194189-9
NOTE 2	THIRD	9.75 [.384]	ø3.68 [.145]	#10	194189-8
NOTE 2	THIRD	9.75 [.384]	ø4.60 [.181]	#8	194189-7
NOTE 2	SECOND	11.75 [.461]	ø2.67 [.105]	#12-#14	194189-6
NOTE 2	FIRST	13.75 [.541]	ø2.67 [.105]	#12-#14	194189-3
FINISH	MATING SEQUENCE	B	A	WIRE AWG	PART NO.

- 1 MATERIAL: TELLURIUM COPPER.
- 2. FINISH: SILVER PLATE OVER NICKEL PLATE.
- 3. FINISH: GOLD PLATE OVER NICKEL PLATE.

THIS DRAWING IS A CONTROLLED DOCUMENT.		DWN	28/SEP/95	 Tyco Electronics Corporation Harrisburg, PA 17105-3608
DIMENSIONS: mm		CHK	-	
TOLERANCES UNLESS OTHERWISE SPECIFIED:		APVD	-	
0 PLC ± - 1 PLC ± - 2 PLC ± - 3 PLC ± - 4 PLC ± - ANGLES ± - FINISH -		PRODUCT SPEC	-	
MATERIAL	- 1	WEIGHT	-	NAME PIN ASSEMBLY, 3 MM
CUSTOMER DRAWING		SIZE	A2	CAGE CODE 00779
		DRAWING NO	C=194189	RESTRICTED TO
		SCALE	-	SHEET 1 of 1
		REV	G1	