



Chipsmall Limited consists of a professional team with an average of over 10 year of expertise in the distribution of electronic components. Based in Hongkong, we have already established firm and mutual-benefit business relationships with customers from,Europe,America and south Asia,supplying obsolete and hard-to-find components to meet their specific needs.

With the principle of “Quality Parts,Customers Priority,Honest Operation,and Considerate Service”,our business mainly focus on the distribution of electronic components. Line cards we deal with include Microchip,ALPS,ROHM,Xilinx,Pulse,ON,Everlight and Freescale. Main products comprise IC,Modules,Potentiometer,IC Socket,Relay,Connector.Our parts cover such applications as commercial,industrial, and automotives areas.

We are looking forward to setting up business relationship with you and hope to provide you with the best service and solution. Let us make a better world for our industry!



## Contact us

Tel: +86-755-8981 8866 Fax: +86-755-8427 6832

Email & Skype: info@chipsmall.com Web: www.chipsmall.com

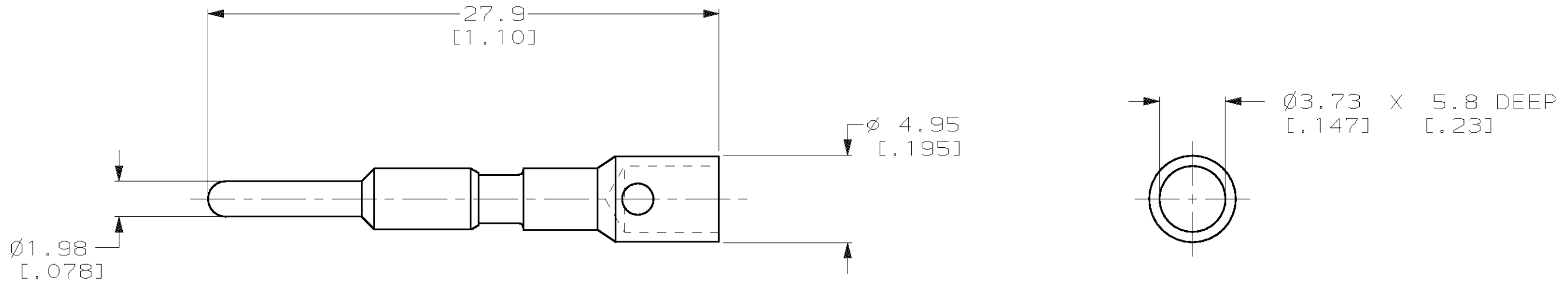
Address: A1208, Overseas Decoration Building, #122 Zhenhua RD., Futian, Shenzhen, China



THIS DRAWING IS UNPUBLISHED. RELEASED FOR PUBLICATION, 19 .  
© COPYRIGHT 19 BY AMP INCORPORATED. ALL INTERNATIONAL RIGHTS RESERVED.

LOC	DIST	P	F	REVISIONS				
CH	11			ZONE	LTR	DESCRIPTION	DATE	APPD
					A	EC OB20-1083-98	20/AUG/98	RNP
					O	RELEASED FOR PRODUCTION	07/JAN/97	RNP

- 1 MATERIAL-COPPER ALLOY
- 2 FINISH-5.08 μM[.0002] SILVER OVER 1.02 μM[.00004] NICKEL.
- 3. WIRE BARREL WILL ACCEPT #10 AWG WIRE.
- 4. MATES WITH AMP PART NUMBER 194211-1.



194210-1

PART NO

DO NOT SCALE PRINT. UNLESS SPECIFIED DIMENSIONS IN mm [INCHES] TOLERANCES ON: 1 PLC DEC ± 0.5[.02] 2 PLC DEC ± 0.25[.010] ANGLES ± -	DR	07/JAN/97 R N POLK	
	CHK	-	
	APPD	-	
	APPD	-	
MATERIAL	1	PRODUCT SPEC	-
FINISH	2	APPLICATION SPEC	-
		WEIGHT	-

<b>AMP</b> AMP Incorporated Harrisburg, PA 17105-3608		
NAME PIN, 2 mm, #10 AWG, LUBRICATED UNIVERSAL MATE-N-LOK* II		
SIZE	CAGE CODE	DRAWING NO
B	00779	C-194210
SCALE	NONE	SHEET
		1 OF 1

\*MATE-N-LOK IS A TRADEMARK

THIS DRAWING IS A CONTROLLED DOCUMENT FOR AMP INCORPORATED. IT IS SUBJECT TO CHANGE AND THE CONTROLLING ENGINEERING ORGANIZATION SHOULD BE CONTACTED FOR THE LATEST REVISION.