



Chipsmall Limited consists of a professional team with an average of over 10 year of expertise in the distribution of electronic components. Based in Hongkong, we have already established firm and mutual-benefit business relationships with customers from,Europe,America and south Asia,supplying obsolete and hard-to-find components to meet their specific needs.

With the principle of “Quality Parts,Customers Priority,Honest Operation,and Considerate Service”,our business mainly focus on the distribution of electronic components. Line cards we deal with include Microchip,ALPS,ROHM,Xilinx,Pulse,ON,Everlight and Freescale. Main products comprise IC,Modules,Potentiometer,IC Socket,Relay,Connector.Our parts cover such applications as commercial,industrial, and automotives areas.

We are looking forward to setting up business relationship with you and hope to provide you with the best service and solution. Let us make a better world for our industry!



Contact us

Tel: +86-755-8981 8866 Fax: +86-755-8427 6832

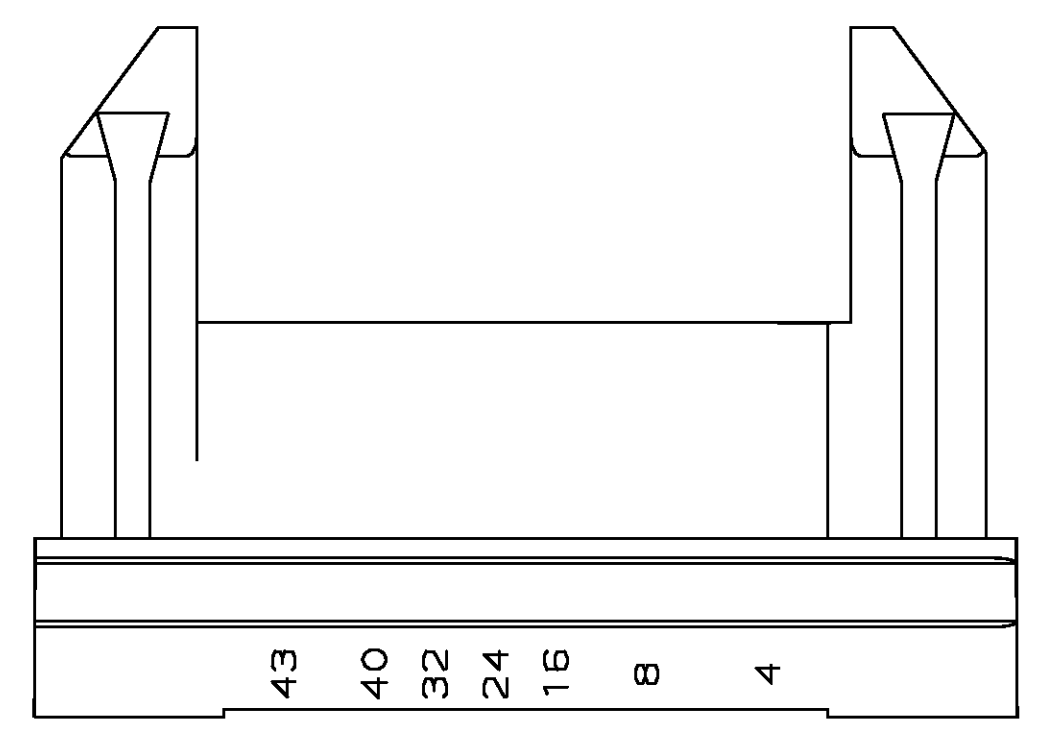
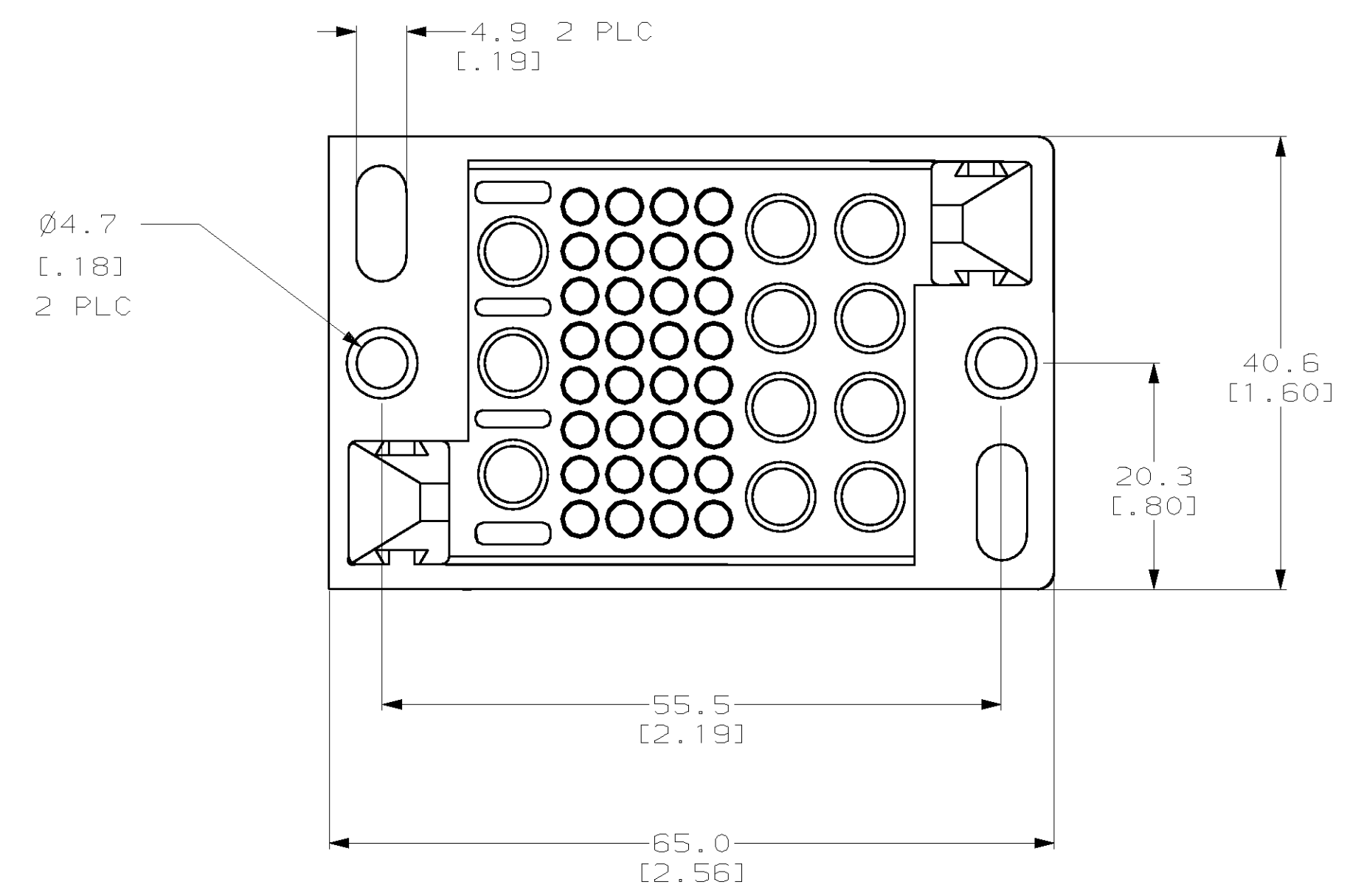
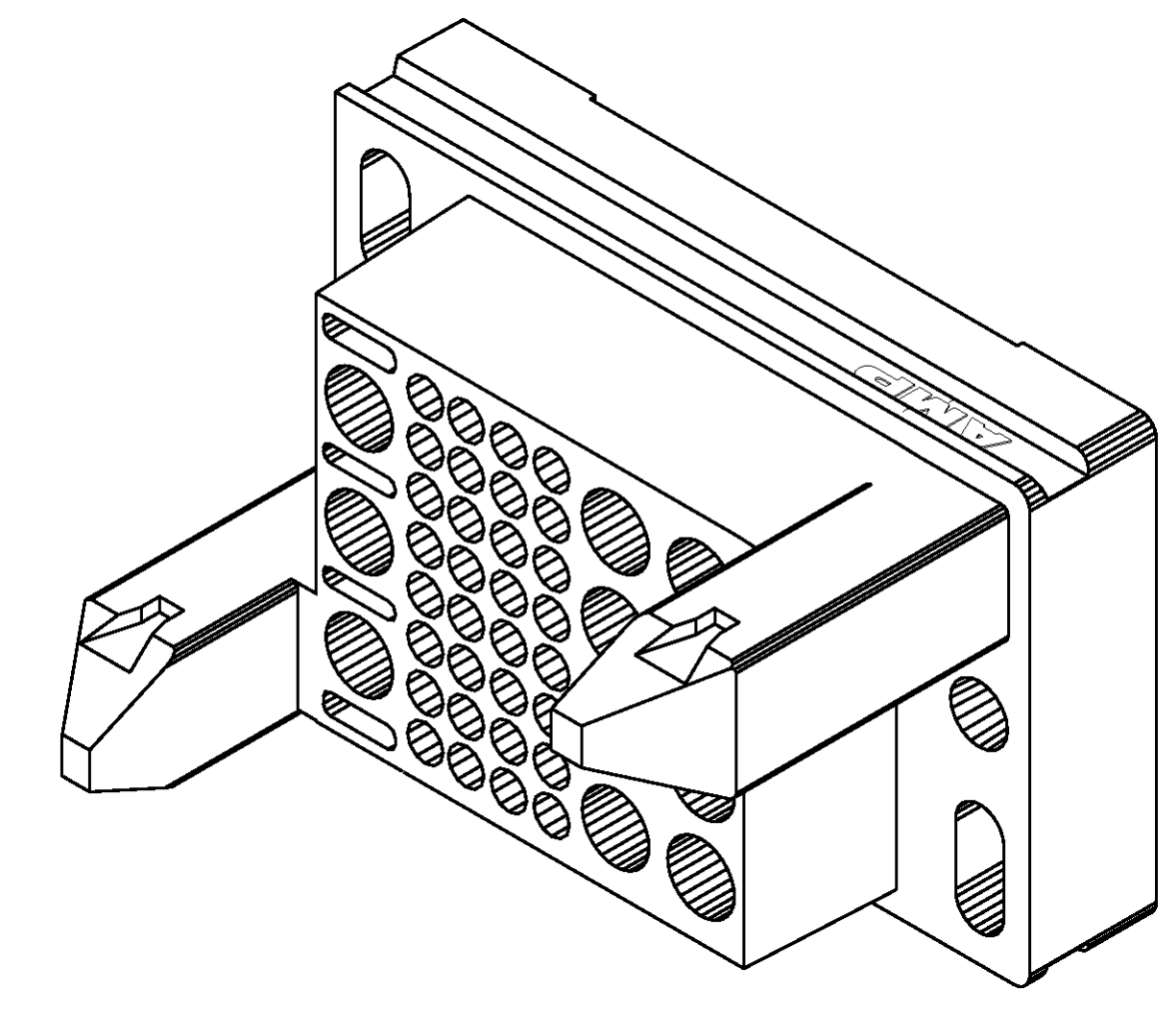
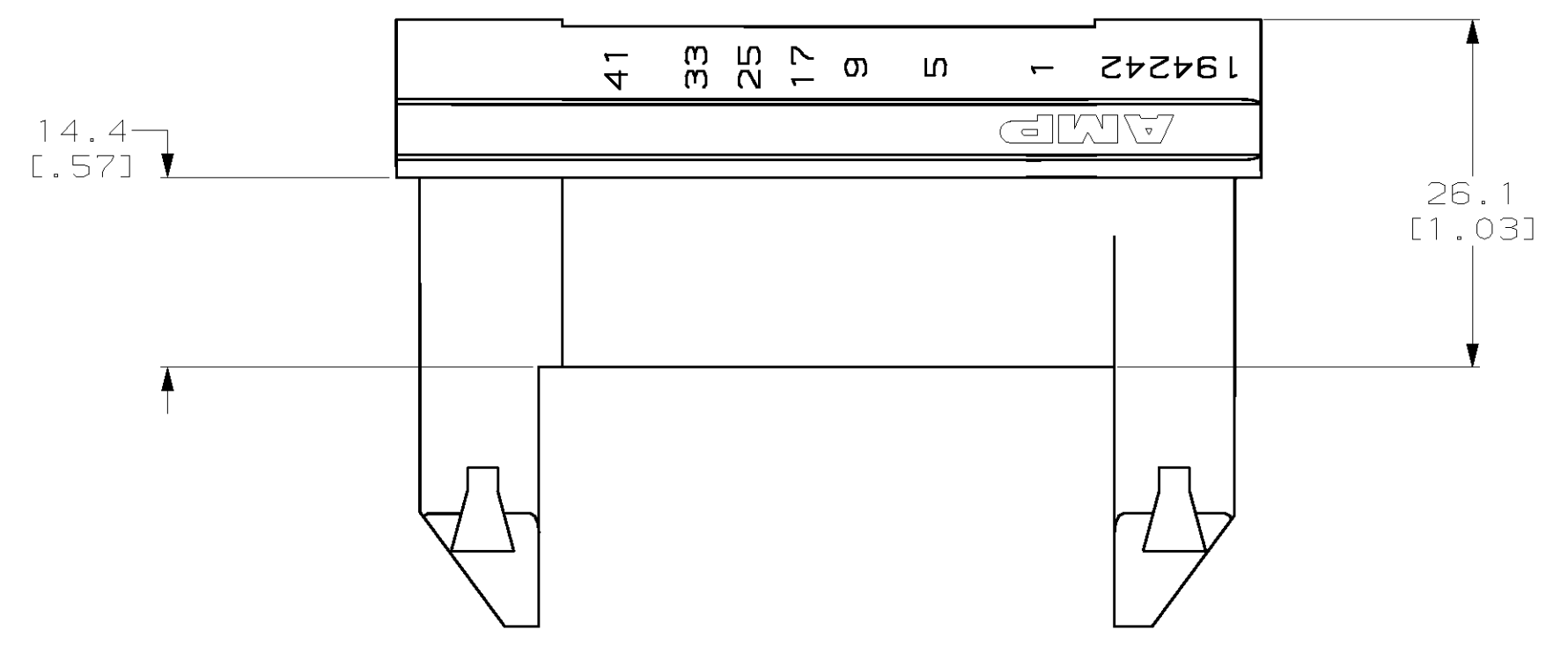
Email & Skype: info@chipsmall.com Web: www.chipsmall.com

Address: A1208, Overseas Decoration Building, #122 Zhenhua RD., Futian, Shenzhen, China



| REV | DATE | DESCRIPTION | DATE | OWN | APPD |
|-----|-----------|-----------------|------|-----|------|
| A | 25/APR/97 | EC OB20-0551-97 | | RNP | RAR |
| B | 22/JAN/98 | EC OB20-0126-98 | | DAP | RAR |
| C | 09/SEP/98 | EC OB20-1216-98 | | RNP | RAR |

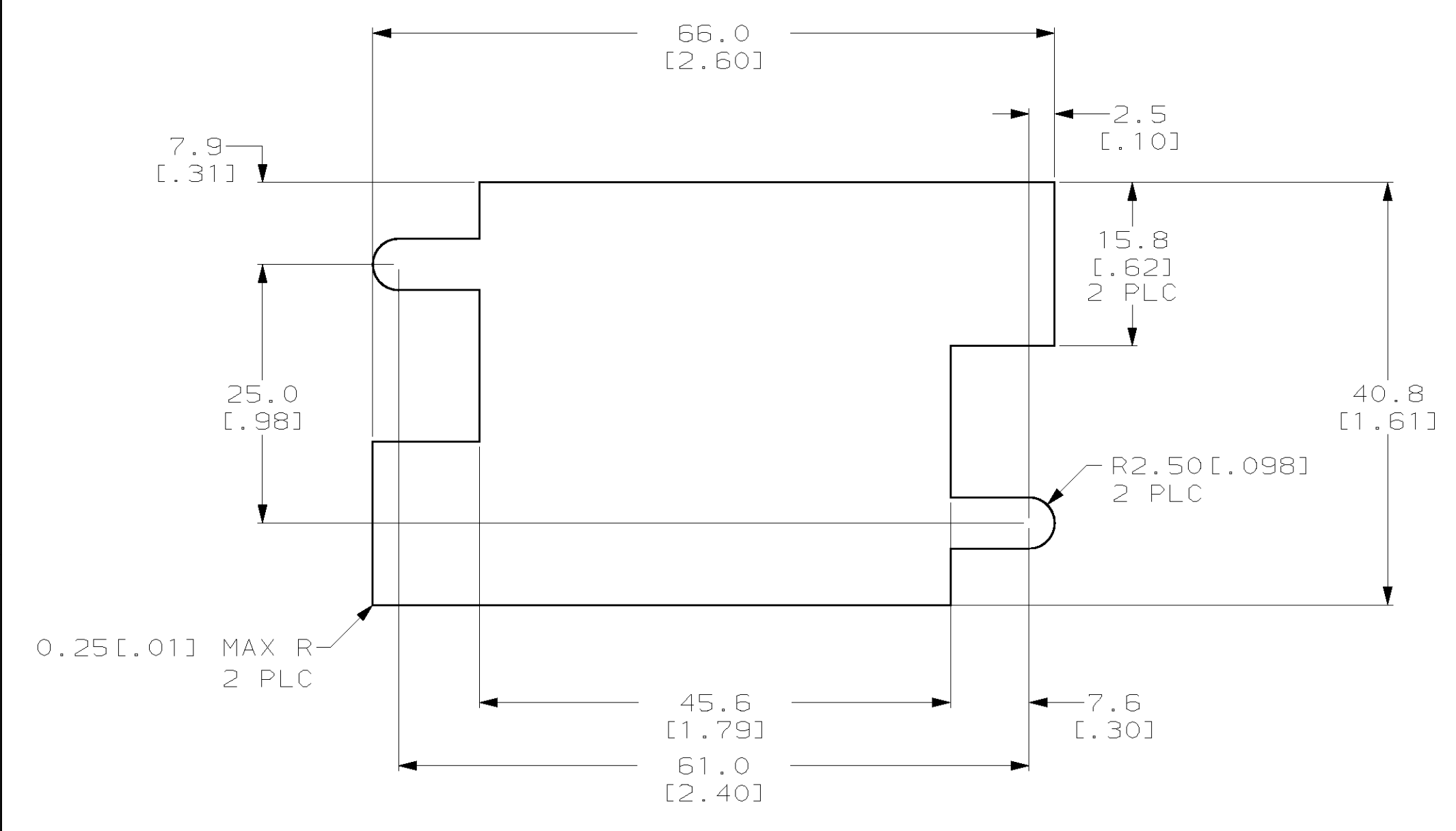
* AMPPOWER is a trademark



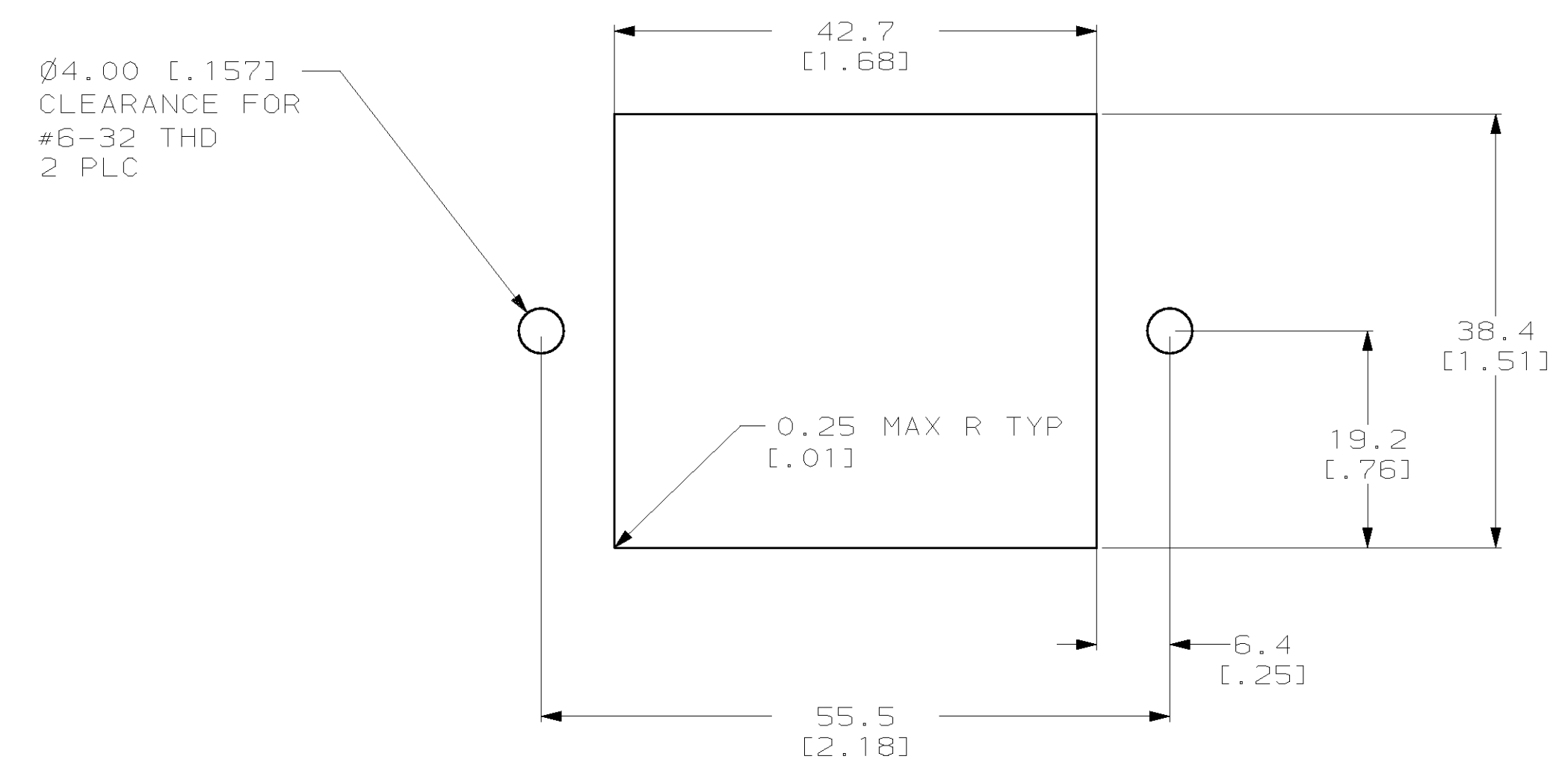
- POSITIONS 1-8 ARE FOR 3mm CONTACTS.
- POSITIONS 9-40 ARE FOR SIZE 16 CONTACTS.
- POSITIONS 41-43 ARE FOR 3mm CONTACTS.
- INSERTS ARE NOT REQUIRED WHEN FLOAT MOUNTING.
- ALL DIMENSIONS EXCEPT PANEL CUTOUTS ARE REFERENCE ONLY.

194242-1
PART NO

| | | | |
|---|--|--|--|
| <small>THIS DRAWING IS A CONTROLLED DOCUMENT AND IS UNPUBLISHED. IT IS SUBJECT TO CHANGE AND THE CONTROLLING ENGINEERING DEPARTMENT SHALL BE CONTACTED FOR THE LATEST REVISION.</small> | | DWN: N POLK CHK: 25APR97 DATE: | AMP AMP Incorporated Harrisburg, PA 17105-3608 |
| DIMENSIONS: mm (in) | TOLERANCES UNLESS OTHERWISE SPECIFIED: Ø PLC ±.01 1 PLC ±.01 2 PLC ±.01 3 PLC ±.01 4 PLC ±.01 ANGLES ±.01 FINISH: | APP'D: N POLK PRODUCT SPEC: AMPPOWER* Multi Pin Plus HOUSING, PLUG 43 POSITION APPLICATION SPEC: | SIZE: A1 CAGE CODE: 00779 DRAWING NO: 194242 |
| MATERIAL: POLYESTER PCT, BLACK | FINISH: - | HEIGHT: - | CUSTOMER DRAWING SCALE: 2:1 SHEET 12 OF 12 |



RECOMMENDED FLOAT MOUNT PANEL CUTOUT #7
 EXTERNAL VIEW



RECOMMENDED STATIONARY MOUNT PANEL CUTOUT #6
 EXTERNAL VIEW

| | | | | | |
|--|--------------|------------------|--------|---------|--|
| THIS DRAWING IS A CONTROLLED DOCUMENT. | | DWN | N POLK | 25APR97 | AMP AMP Incorporated Harrisburg, PA 17105-3608 |
| DIMENSIONS: mm (in) | | CHK | - | - | |
| TOLERANCES UNLESS OTHERWISE SPECIFIED: | | APVD | - | - | NAME |
| 0 PLC | ± | PRODUCT SPEC | - | - | AMPOWER* Multi Pin Plus |
| 1 PLC | ±0.2 | APPLICATION SPEC | - | - | HOUSING, PLUG 43 POSITION |
| 2 PLC | ±0.12(.01) | WEIGHT | - | - | SIZE |
| 3 PLC | ±0.025(.005) | CAGE CODE | - | - | A1 00779 |
| 4 PLC | ± | DRAWING NO | - | - | C-194242 |
| ANGLES | ± | CUSTOMER DRAWING | - | - | SCALE |
| FINISH | - | SCALE | 2/1 | SHEET | 22 |
| | | REV | C | | |